



**XT582 MK2 TUNDRA
ILLUSTRATED PARTS CATALOGUE**

Version # 2.0
Issue Date 26-05-10
Applicability: XT-582 MK2 TUNDRA

Unit 22/30 Kalaroo Rd
Redhead 2290
New South Wales
Australia
Phone (+61) 2 49449199
Fax (+61) 2 49449399

Part # 109400

Copyright Notice

© Copyright Airborne Windsports Pty. Ltd. 2007

All rights reserved.

Except where the Copyright Act otherwise allows, no part of this parts catalogue may be reproduced, stored in a retrieval system in any form or transmitted by any means without prior permission in writing of Airborne Windsports Pty Ltd.

INTRODUCTION

WARNING

SOME PARTS WHICH ARE LISTED ARE COMPONENTS OF PARTS WHICH ARE NOT USER SERVICABLE. ONLY MAINTENANCE WHICH IS SPECIFIED IN THE MAINTENANCE MANUAL SHOULD BE ATTEMPTED AND ONLY THE EXACT SPARE SHOULD BE USED TO REPLACE PARTS. THE FOLLOWING DRAWINGS ARE PROVIDED AS A CONVIENIENCE TO AID IDENTIFICATION OF PARTS WHICH ARE USER MAINTAINABLE.

This manual should be used in conjunction with the correct maintenance manual, and repairs should only be carried out by competent people. Read the maintenance manual before proceeding. See the HOW TO USE THIS CATALOGUE section for detail on how to get the most benefit from this publication.

This parts catalogue has been prepared to aid in the identification of components that may affect the airworthiness of the Airborne Edge XT-582 series of trikes.

Drawings with various levels of detail are supplied that include all of the spare parts available – specific to the serial number identification of the base.

Parts identified in drawings by CIRCLES are available as spare parts. If a component is identified by a box or not listed then it may only be available as individual parts.

All parts available are named and have part numbers, this is the identification system that should be used to order spares, eg: Shackle RF615 4mm, Part Number 100406, and the quantity required.

NB. Some parts may have been used from other trikes, and therefore have other model names in the title. The most important thing in ordering spare parts is the part number.

NOTE

Airborne data packages will be revised from time to time. Owners registered on Airborne's database will be notified of any changes to data and directed to the Airborne web site (<http://www.airborne.com.au/>) for the applicable pages. The amended pages should be printed and the prior page replaced in the folder as soon as possible. The amendment table should at that time be updated with the appropriate details and date. Revised pages will be sent by mail if requested.

TABLE OF CONTENTS

INTRODUCTION

TABLE OF CONTENTS

HOW TO USE THIS CATALOGUE

- 1 TRIKE BASE ASM XT-582 MK2 TUNDRA - Drawing # 7665**
- 2 TRIM PACK XT-582 MK2 TUNDRA TBA - Drawing # 7677**
- 3 TRIKE BASE FRAME ASM XT-582 TYPE 4 - Drawing # 7688**
 - 3.1 Frame Subasm XT-582 MK2 - Drawing # 7407
 - 3.2 Seat Frame Asm - Drawing # 5634
 - 3.3 Mast & Front Pole Asm XT Type 2 - Drawing # 7860
 - 3.4 Front Pole - Drawing # 5712
 - 3.5 Fuel Tank Subasm - Drawing # 5923
 - 3.6 Steering Linkage Sub-Asm - Drawing # 5627
- 4 SOFT SIDE ASM - Drawing # 6225**
- 5 ELECTRICAL WIRING - Drawing # 6837**
 - 5.1 Please read the note on the drawing for the new location of wires.
 - 5.2 Regulator Subasm XT - Drawing # 6813
- 6 WINDSCREEN / DASH SUBASM - Drawing # 6899**
 - 6.1 Windscreen Complete XT - Drawing # 6579
 - 6.2 Dash Subasm Edge XT Pod - Drawing # 5969
 - 6.3 Console Asm - Drawing # 6578
- 7 ENGINE XT-582 FOR ASM - Drawing # 6905**
- 8 EXHAUST AFTER SILENCER ASM - Drawing # 6916**
- 9 ENGINE COMPONENTS ASM - Drawing # 6733**
 - 9.1 Fuel Hose Asm - Drawing # 6741
 - 9.2 Radiator Hose Asm - Drawing # 6678
 - 9.3 Radiator Asm - Drawing # 6700
 - 9.4 Fuel Pump Mount Asm - Drawing # 6740
 - 9.5 Intake Silencer Asm - Drawing # 6675
 - 9.6 Exhaust Asm - Drawing # 6710
- 10 CHOKE CABLE ASM XT-582 - Drawing # 6767**
- 11 FRNT END SUBASM XT TUNDRA TYPE 3 - Drawing # 7410**
 - 11.1 Fork Carrier Incl Bearings - Drawing # 6436
 - 11.2 Front Fork Subasm XT Tundra - Drawing # 6969
 - 11.3 Steering Dampener Subasm - Drawing # 5610
- 12 MAST BRACE LOWER SUBASM XT-582 - Drawing # 6802**
- 13 PLACARDS SET GENERIC XT-582 - Drawing # 6854**
- 14 STICKER SETS XT-582 - Drawing # 6857**
- 15 POD ASM XT TUNDRA - Drawing # 7566**
 - 15.1 Cockpit Front Bracket Subasm - Drawing # 5755
- 16 WHEEL SPAT SUBASM LHS TUNDRA MK2 - Drawing # 7514**
- 17 WHEEL SPAT SUBASM TUNDRA RHS MK2 - Drawing # 7515**
- 18 BRAKE KIT DISK XT TUNDRA FITTED - Drawing # 7429**
 - 18.1 Front Wheel Subasm XT Tundra No Brake - Drawing # 7431
 - 18.2 Wheel 6IN Incl Tyre Tundra Disk Brake - Drawing # 7408
 - 18.3 Foot Throttle Lever Asm XT Disk Brake - Drawing # 7365
 - 18.4 Brake Lever Asm XT Disk Brake - Drawing # 7362
 - 18.5 Disk Brake Line Asm - Drawing # 7422
 - 18.6 Disk Brake Small Parts For Spares - Drawing # 7420

19 BRAKE KIT DRUM XT TUNDRA FITTED - Drawing # 7433

- 19.1 Frnt Wheel Subasm XT Tundra Drum Brake- Drawing # 7434
- 19.2 Foot Throttle Lever Asm XT Drum Brake - Drawing # 6774
- 19.3 Brake Lever Subasm XT Grey Drum Brake - Drawing # 5550
- 19.4 Wheel 6IN Incl Tyre Tundra Drum Brake - Drawing # 6369

20 PROP INSTALL BOLLY RH 582 - Drawing # 7426

21 PROP INSTALL WARP DRIVE RH 582 - Drawing # 7440

22 CERTIFICATION KITS XT-582 - Drawing # 6924

23 MISCELLANEOUS – NUTS AND BOLTS ETC

- 23.1 AN-3 Bolts - Drawing # 5449
- 23.2 AN-4 Bolts - Drawing # 5450
- 23.3 AN-5 Bolts - Drawing # 5493
- 23.4 AN-6 Bolts - Drawing # 5494
- 23.5 Metric Nuts - Drawing # 5495
- 23.6 UNF Nut Design Table - Drawing # 5506
- 23.7 Pop Rivets - Drawing # 5515
- 23.8 Roll Pins - Drawing # 5516
- 23.9 Socket Cap Screws UNF - Drawing # 5517
- 23.10 AN Wingnuts - Drawing # 5534
- 23.11 AN Nuts Full Nyloc - Drawing # 5535
- 23.12 Washers - Drawing # 5540
- 23.13 AN Nuts Half Nyloc - Drawing # 5561
- 23.14 Thimbles - Drawing # 5565
- 23.15 Socket Cap Screws Metric - Drawing # 5603
- 23.16 Metric Nuts Full Nyloc - Drawing # 5604
- 23.17 Cable Ties - Drawing # 5605
- 23.18 Metric Grub Screws - Drawing # 5631
- 23.19 Endcaps - Drawing # 5633
- 23.20 Glues and Sealants - Drawing # 5637
- 23.21 UNC Bolts - Drawing # 5660
- 23.22 Socket Cap Screws – Countersunk - Drawing # 5668
- 23.23 Socket Button Screws - Drawing # 5677
- 23.24 Spring Washers - Drawing # 5679
- 23.25 Split Rings - Drawing # 5720
- 23.26 Screws Self Tapping - Drawing # 5909
- 23.27 O-Rings - Drawing # 5932
- 23.28 Metric Bolts - Drawing # 5935

24 OPTIONS – HEART BOLT, PARACHUTE, RADIO, SERVICE KIT

- 24.1 Wing Attachment Kit - Drawing # 7839
- 24.2 Parachute Subasm BRS - Drawing # 5904
- 24.3 Radio Subasm - Drawing # 6587
- 24.4 Lynx Radio Options - Drawing # 6588

25 END OF CATALOGUE

HOW TO USE THIS CATALOGUE

The pieces that make up a trike or wing are called “Parts” or “Assemblies (ASM)”. Each drawing in this manual contains a mixture of Parts and ASM’s at different levels of manufacture. This manual contains the “Highest Level Drawing” at the front, and divides into “Main Sub Chapters”. The Sub Chapter Drawings become simpler and simpler until they show only Parts or simple ASM’s. These are the items that are SOLD.

On each Drawing, items that are SOLD are identified by CIRCLES. Parts identified by BOXES are NOT SOLD and are used for factory purposes only. See Figure 1 for examples of circles and boxes.

Use this manual by identifying the “Highest Level Drawing” that contains the item you’re interested in, and then, by using the identifier circles, look at the next level of Drawings listed in the Bill Of Materials box.

Continue until you find your item where it is listed on a Drawing, where it is identified using a Circle. This will be the item to ORDER.

EXAMPLE

For example if you were to require a new BUNGIE for the FRONT POLE.

Step 1. Identify where it is on the main assembly, which means that it is in chapter 1. On this drawing it is part of Item 19, MAST & FRONT POLE ASM, drawing 7860.

ITEM NO.	NAME	DWG	PART NO.	QTY.
1	TRIKE BASE FRAME ASM XT582 TYPE 4	7688	109457	1
2	FRNT END SUBASM XT TUNDRA TYPE 3	7410	108361	1
3	ENGINE 582XT FOR TRIKE BASE ASM	6905	107583	1
4	ENGINE 582 INTAKE ASM	6660	106851	1
5	ENGINE COMPONENTS ASM XT-582	6733	106986	1
6	PLATE SHIELD OIL TANK 582 ASM	6865	107383	1
7	EXHAUST AFTER SILENCER ASM	6916	107629	1
8	MAST BRACE LOWER SUBASM XT582	6802	107165	1
9	ELEC WIRING ASM XT-582	6837	107220	1
10	CHOKE CABLE COMPLETE FRONT XT-582	6767	107027	1
11	CHOKE CABLE COMPLETE REAR XT-582	6767	107030	1
12	WINDSCREEN / DASH SUB ASM XT	6899	107514	1
13	SOFT SIDE ASM XT STD	6225	105850	1
14	MUDGUARD EDGE XXT TUNDRA COMPLETE	6362	106232	1
15	BATTERY SUBASM XT	6226	105851	1
16	PLACARDS SET GENERIC EDGE XT-582	6854	106775	1
17	PLACARD NO STEP EDGE XT BLACK	5900	105718	1
18	MANUAL PAGES IPC XT582B MK2 TUNDRA	6863	109400	1
19	MAST & FRONT POLE ASM XT TYPE 2	7860	109775	1
20	BRAKE KIT DRUM XT TUNDRA WHEELS FITTED	7433	108420	1
21	BRAKE KIT DISK XT TUNDRA WHEELS FITTED	7429	108473	1
22	PROP INSTALL BOLLY RH 582 STND	7426	108423	1
23	PROP INSTALL BOLLY RH 582 D-TUF	7426	108424	1
24	PARACHUTE SUBASM BRS XT OPTION	5904	105723	1
25	WINDSCREEN XT 880MM RETRO KIT	7540	109013	1

NOTE:
 • TRIM PACKS, WHICH INCLUDE POD, SPATS AND STICKERS ARE DESCRIBED ON DRAWING A4-7677.
 • OPTIONS ARE LISTED AT THE END OF THIS BOM BEGINNING WITH THE BRAKE KITS.

Rev	AMENDMENTS	Date
1	DCR 2402 T SERIES DEV	30-07-09

PART NO. 109364

LAST ACCESSED: Wednesday, 26 May 2010

ALL DIMENSIONS IN MILLIMETERS UNLESS STATED OTHERWISE

TRIKE BASE ASM XT582 MK2 TUNDRA			
Drawn By	Scale	Date	
Stuart	1:25	29-08-08	

7665
SHEET 1 of 1

Figure 1 Highest Level Drawing

Step 2. Now go to that drawing (7860) ,then you may use the balloon identifiers to find the next drawing number that is required. It is Item 2, so go to drawing 5712 FRNT POLE SUBASM.

ITEM NO.	NAME	DWG	PART NO.	QTY.
1	MAST ASM EDGE XT TYPE 2	7862	109777	1
2	FRNT POLE SUBASM XT	5712	105499	1
3	MAST HEAD REST PADDING ASM XT	6290	106532	1

NOTE:
PRODUCTION ASSEMBLY HAS
BEEN CREATED FOR
STOCKING PURPOSES
ONLY.
KIT IS NOT ASSEMBLED.

NOTE: BOMS ARE THE SAME FOR BOTH ASMS
PART NO. 109775 - MAST & FRONT POLE ASM XT TYPE 2
PART NO. 110052 - MAST & FRONT POLE SUBKIT XT TYPE 2 (KIT)

Rev	AMENDMENTS	Date
1	DCR 2402 T SERIES DEV	30-07-09

LAST ACCESSED: Friday, 23 April 2010
ALL DIMENSIONS IN MILLIMETERS UNLESS STATED OTHERWISE

MAST & FRONT POLE ASM XT TYPE 2			
Drawn By	Scale	Date	
Stuart	1:12	30-07-09	7860 SHEET 1 of 1

Figure 3 Chapter 1. Mast & Front Pole Assembly, Drawing # 7860

Step 3. Order!

On drawing 5712, the part we want, Item 5 BUNGIE TRIKE BASE BAR, is identified in a balloon so it's for sale, record the **part number, name and drawing number** and you have all you need to order the part. **E.g. Part # 104783, BUNGIE TRIKE BASE BAR, Drawing # 5712.**

ITEM NO.	NAME	DWG	PART NO.	QTY.
1	MAST BRACE TOP INNER EDGE XT	5568	105294	1
2	MAST BRACE SLIDER EDGE XT	5580	105313	1
3	PIP PIN 38	5719	102146	2
4	PIP PIN CAP WITH WIRE	5718	101418	2
5	BUNGIE TRIKE BASE BAR	5250	104783	1

Visually identify the component and match it to the part number given in the Bill of Materials.

NOTE: PART # 104783 IS WRAPPED TWICE AROUND THE MAST BRACE.

UPDATE GJP FORMS WITH REV CHANGE

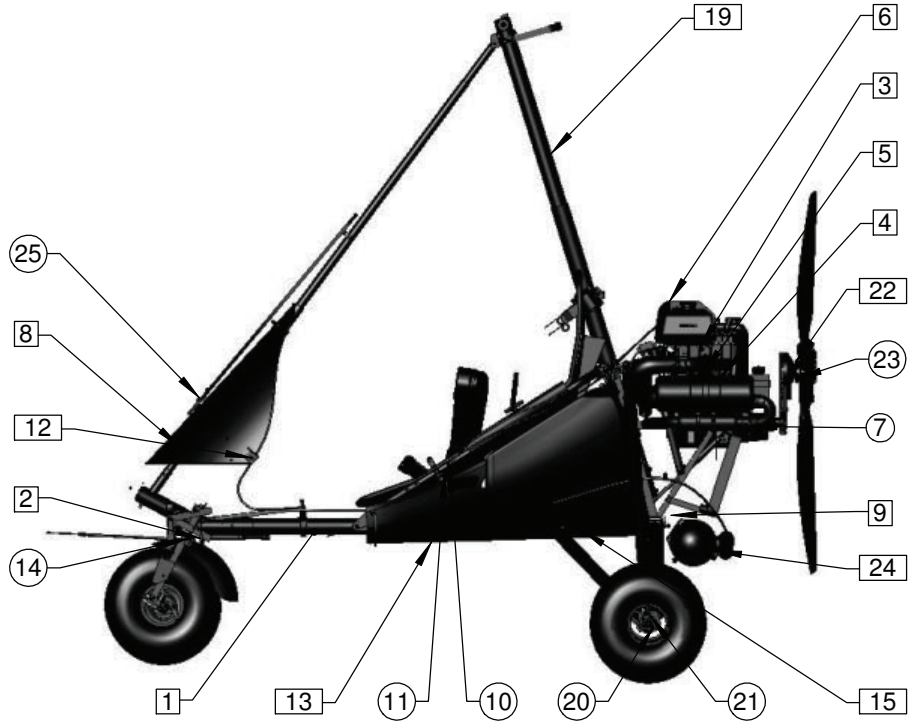
Rev	AMENDMENTS	Date
1	DCR 2295, REFLECT MANUFACTURE	17-05-07

PART NO. 105499 -
 LAST ACESSED: Friday, 23 April 2010
 ALL DIMENSIONS IN MILLIMETERS UNLESS STATED OTHERWISE

Drawn By	Scale	Date	FRNT POLE SUBASM XT	
Cris	1:5	09/06/03		
			5712	SHEET 1 of 2

Figure 4 Identify the actual component required

1 TRIKE BASE ASM XT-582 MK2 TUNDRA - Drawing # 7665



ITEM NO.	NAME	DWG	PART NO.	QTY.
1	TRIKE BASE FRAME ASM XT582 TYPE 4	7688	109457	1
2	FRNT END SUBASM XT TUNDRA TYPE 3	7410	108361	1
3	ENGINE 582XT FOR TRIKE BASE ASM	6905	107583	1
4	ENGINE 582 INTAKE ASM	6660	106851	1
5	ENGINE COMPONENTS ASM XT-582	6733	106986	1
6	PLATE SHIELD OIL TANK 582 ASM	6865	107383	1
7	EXHAUST AFTER SILENCER ASM	6916	107629	1
8	MAST BRACE LOWER SUBASM XT582	6802	107165	1
9	ELEC WIRING ASM XT-582	6837	107220	1
10	CHOKE CABLE COMPLETE FRONT XT-582	6767	107027	1
11	CHOKE CABLE COMPLETE REAR XT-582	6767	107030	1
12	WINDSCREEN / DASH SUB ASM XT	6899	107514	1
13	SOFT SIDE ASM XT STD	6225	105850	1
14	MUDGUARD EDGE X/XT TUNDRA COMPLETE	6362	106232	1
15	BATTERY SUBASM XT	6226	105851	1
16	PLACARDS SET GENERIC EDGE XT-582	6854	106775	1
17	PLACARD NO STEP EDGEXT BLACK	5900	105718	1
18	MANUAL PAGES IPC XT582B MK2 TUNDRA	6863	109400	1
19	MAST & FRONT POLE ASM XT TYPE 2	7860	109775	1
20	BRAKE KIT DRUM XT TUNDRA WHEELS FITTED	7433	108420	1
21	BRAKE KIT DISK XT TUNDRA WHEELS FITTED	7429	108473	1
22	PROP INSTALL BOLLY RH 582 STND	7426	108423	1
23	PROP INSTALL BOLLY RH 582 D-TUF	7426	108424	1
24	PARACHUTE SUBASM BRS XT OPTION	5904	105723	1
25	WINDSCREEN XT 880MM RETRO KIT	7540	109013	1

NOTE:

- TRIM PACKS, WHICH INCLUDE POD, SPATS AND STICKERS ARE DESCRIBED ON DRAWING A4-7677.
- OPTIONS ARE LISTED AT THE END OF THIS BOM BEGINNING WITH THE BRAKE KITS.

Rev	AMENDMENTS	Date
1	DCR 2402 T SERIES DEV	30-07-09

PART NO. 109364

LAST ACESSED: Wednesday, 26 May 2010
ALL DIMENSIONS IN MILLIMETERS UNLESS STATED OTHERWISE

TRIKE BASE ASM XT582 MK2 TUNDRA

Drawn By	Scale	Date
Stuart	1:25	29-08-08



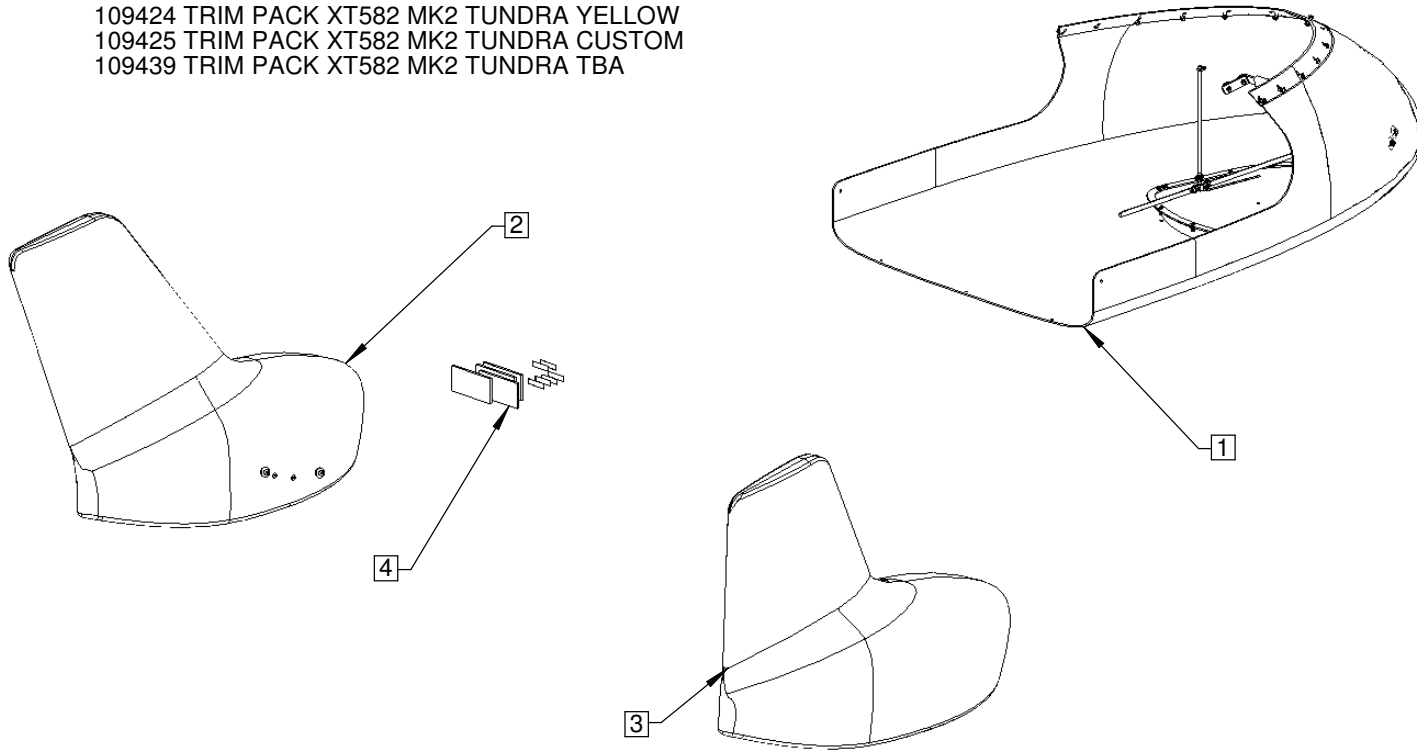
7665
SHEET 1 of 1

2 TRIM PACK XT-582 MK2 TUNDRA TBA - Drawing # 7677

ITEM NO.	NAME	DWG	PART NO.	QTY.
1	POD ASM XT TUNDRA COLOUR	7566	109010	1
2	WHEEL SPAT SUBASM LHS XT TUNDRA MK2	7514	108808	1
3	WHEEL SPAT SUBASM RHS XT TUNDRA MK2	7515	108809	1
4	STICKER SET XT582 SILVER METALLIC	6857	109089	1

TRIM PACK VARIATIONS EXIST:

- 109419 TRIM PACK XT582 MK2 TUNDRA BLACK
- 109420 TRIM PACK XT582 MK2 TUNDRA BLUE
- 109422 TRIM PACK XT582 MK2 TUNDRA RED
- 109423 TRIM PACK XT582 MK2 TUNDRA SILVER
- 109424 TRIM PACK XT582 MK2 TUNDRA YELLOW
- 109425 TRIM PACK XT582 MK2 TUNDRA CUSTOM
- 109439 TRIM PACK XT582 MK2 TUNDRA TBA



Rev	AMENDMENTS	Date

PART NO. 109439

LAST ACESSED: Wednesday, 26 May 2010
 ALL DIMENSIONS IN MILLIMETERS UNLESS STATED OTHERWISE

TRIM PACK XT582 MK2 TUNDRA TBA

Drawn By	Scale	Date
Stuart	1:12	01-11-07

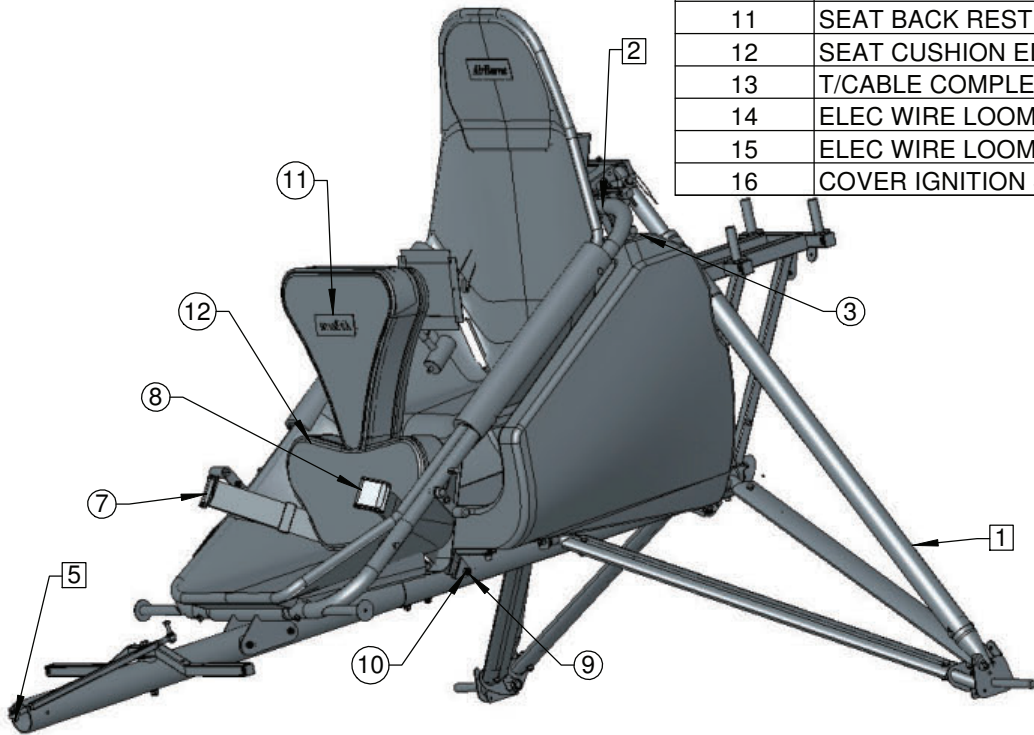


7677
SHEET 1 of 1

3 TRIKE BASE FRAME ASM XT-582 TYPE 4 - Drawing # 7688

3.1	Frame Subasm XT-582 MK2	-	Drawing # 7407
3.1.1	Rear End Subasm XT-582	-	Drawing # 6734
	3.1.1.1 Seat Mast Block Subasm XT	-	Drawing # 5658
3.1.2	Base Tube Subasm	-	Drawing # 5632
3.1.3	Seat Front Mount	-	Drawing # 5657
3.1.4	Rear Swing Arm LHS MK2	-	Drawing # 7398
	3.1.4.1 Hub Asm Rear Edge XT LHS MK2	-	Drawing # 7392
3.1.5	Rear Swing Arm LHS MK2	-	Drawing # 7399
	3.1.5.1 Hub Asm Rear Edge XT RHS MK2	-	Drawing # 7391
3.1.6	Compression Strut Rear Asm MK2	-	Drawing # 7397
3.2	Seat Frame Asm	-	Drawing # 5634
3.2.1	Over Centre Latch With Safety	-	Drawing # 5708
3.2.2	Throttle Lever Subasm	-	Drawing # 5676
3.2.3	Choke Lever Subasm	-	Drawing # 5675
3.2.4	Ignition Switch Subasm	-	Drawing # 5670
3.2.5	Fuel Tap Bracket	-	Drawing # 5669
3.3	Mast & Front Pole Asm XT Type 2	-	Drawing # 7860
3.3.1	Mast Asm Edge XT Type 2	-	Drawing # 7862
	3.3.1.1 Mast Tube Vert Sub Asm XT Type 2	-	Drawing # 7861
	3.3.1.2 Seat Belt Lap Rear Xt Asm Type 3 409	-	Drawing # 7620
3.4	Front Pole	-	Drawing # 5712
3.5	Fuel Tank Subasm	-	Drawing # 5923
3.6	Steering Linkage Sub-Asm	-	Drawing # 5627

ITEM NO.	NAME	DWG	PART NO.	QTY.
1	FRAME SUBASM XT-582 MK2	7407	108552	1
2	SEAT FRAME ASM EDGE XT	5634	105429	1
3	FUEL TANK SUBASM EDGE XT	5923	105729	1
4	FUEL TANK BREATHER ASM XT-582	6748	107005	1
5	STEERING LINKAGE SUBASM GREY	5627	105398	1
6	ELEC WIRE LOOM MAIN XT	6280	105953	1
7	SEAT BELT LAP FRNT XT ASM TYPE 1 LHS	5645	105407	1
8	SEAT BELT LAP FRNT XT ASM TYPE 1 RHS	5646	105408	1
9	BOLT AN5-30A	5493	100021	1
10	NUT NYLOC AN5 FULL	5535	100036	1
11	SEAT BACK REST COMPLETE BLACK STND	6200	102050	1
12	SEAT CUSHION EDGE X/XT GREY STND	5981	103348	1
13	T/CABLE COMPLETE XT-582 INJECTION	6766	107033	1
14	ELEC WIRE LOOM IGNITION XT582	6816	107197	1
15	ELEC WIRE LOOM REG SHIELDED XT 582	7871	109823	1
16	COVER IGNITION SWITCH SUB-ASSEM XT	6521	106554	1



Rev	AMENDMENTS	Date
1	DCR 2419 - SHIELDED REG LOOM	20-08-09
2	DCR 2436 - ADD NEOPRENE COVER	04-05-10

PART NO. 109457

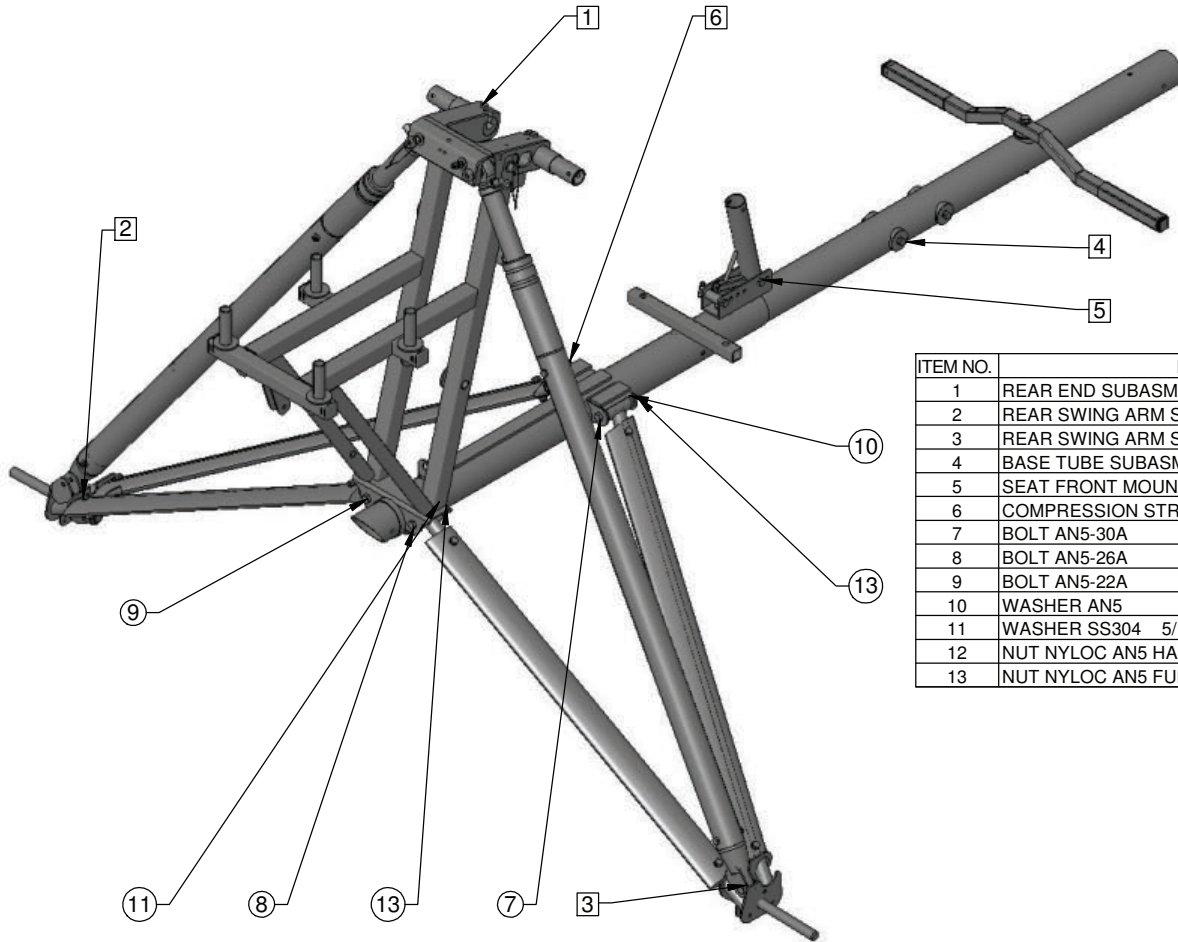
LAST ACESSED: Wednesday, 26 May 2010
 ALL DIMENSIONS IN MILLIMETERS UNLESS STATED OTHERWISE

TRIKE BASE FRAME ASM XT582 TYPE 4

Drawn By	Scale	Date
Stuart	1:12	02-10-08



7688
 SHEET 1 of 1



ITEM NO.	NAME	DWG	PART NO.	QTY.
1	REAR END SUBASM XT-582	6734	106987	1
2	REAR SWING ARM SUBASM XT MK2 LHS	7398	108445	1
3	REAR SWING ARM SUBASM XT MK2 RHS	7399	108446	1
4	BASE TUBE SUBASM EDGE XT GREY	5632	105402	1
5	SEAT FRONT MOUNT SUBASM XT	5657	105445	1
6	COMPRESSION STRUT REAR ASM XT MK2	7397	108447	2
7	BOLT AN5-30A	5493	100021	2
8	BOLT AN5-26A	5493	104713	1
9	BOLT AN5-22A	5493	100017	1
10	WASHER AN5	5540	100043	3
11	WASHER SS304 5/16 X 1IN X 16G	5540	100714	2
12	NUT NYLOC AN5 HALF	5561	100037	1
13	NUT NYLOC AN5 FULL	5535	100036	3

COPIED FROM A4-6732, 11-04-07

Rev	AMENDMENTS	Date

PART NO. 108552 - 0

LAST ACESSED: Wednesday, 26 May 2010

ALL DIMENSIONS IN MILLIMETERS UNLESS STATED OTHERWISE

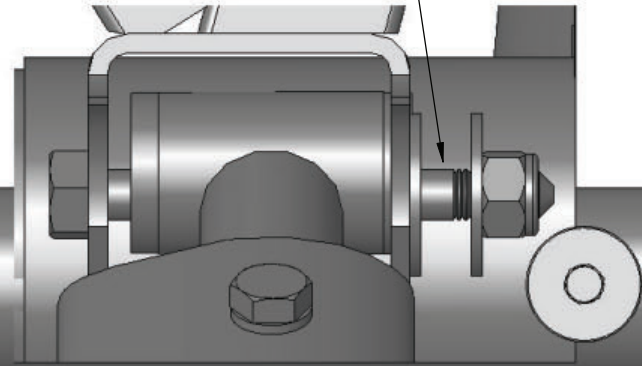
FRAME SUBASM XT-582 MK2

Drawn By	Scale	Date
Simon	1:10	11-04-07



7407
SHEET 1 of 2

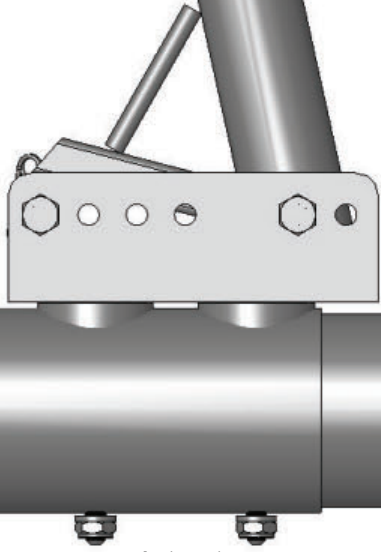
DETAIL OF RHS REAR
SAFETY WIRE ATTACHMENT POINT



C (1 : 1)

B (1 : 1)

A (1 : 2)



Rev	AMENDMENTS	Date

PART NO. 108552

LAST ACESSED: Wednesday, 26 May 2010

ALL DIMENSIONS IN MILLIMETERS UNLESS STATED OTHERWISE

FRAME SUBASM XT-582 MK2

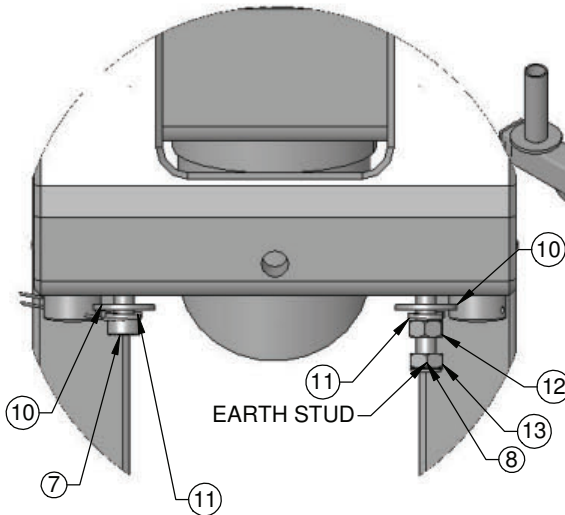
Drawn By	Scale	Date
Simon	1:10	31-03-10



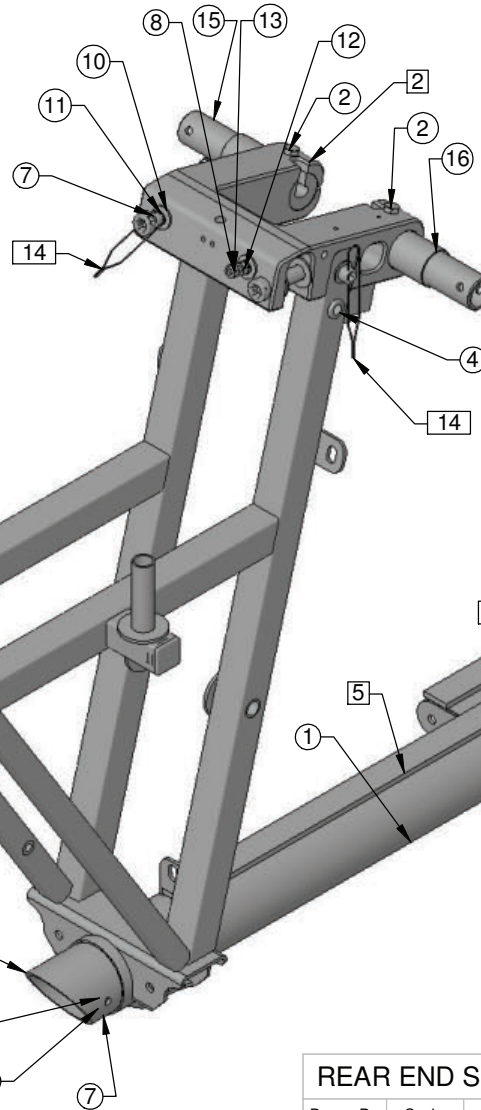
7407
SHEET 2 of 2

ITEM NO.	NAME	DWG	PART NO.	QTY.
1	REAR END COMPLETE XT582	6705	106223	1
2	SEAT/MAST BLOCK SUBASM XT	5658	105446	1
3	PARACHUTE MOUNT TUBE XT ALUMINIUM	5907	105726	1
4	GROMMET RUBBER 13X 9MM	5974	106918	2
5	FOAM BUFFER 25X400L	6214	107576	1
6	FOAM BUFFER FUEL TANK XT 65L	6214	105837	2
7	SKT CAP SCREW M 6 X 16 ZINC	5603	103187	2
8	STUD M6X34 SS	5688	105469	1
9	WASHER SS304 3/16 X 1/2IN	5540	100569	1
10	WASHER SS304 1/4 X 3/4IN	5540	102018	2
11	SPRING WASHER 6MM ZINC	5679	104582	2
12	NUT M 6 SS 316	5495	104575	1
13	NUT NYLOC M 6 ZINC	5604	102132	2
14	TIE WIRE - 200 L	6372	106264	4
15	OVER-CENTER SOCKET EDGE XT LHS	5299	104894	1
16	OVER-CENTER SOCKET EDGE XT RHS	5299	104895	1

TOP VIEW (CROPPED)



EARTH STUD



WIRING INFORMATION.
NOTE: THREE HOOPS ON THE EARTH STUD:
2 X YELLOW HOOPS WITH BLACK WIRES
1 X YELLOW HOOP WITH TWO BROWN WIRES.

A (1 : 3)

NOTE:
DETAIL SHOWS
LHS SOCKET
ORIENTATION

Rev	AMENDMENTS	Date
1	DCR 2215, MOVE PARTS AS PER DCR 2201	02-02-06
2	DCR 2217, CHG FOAM LENGTH.	10-02-06

PART NO. 106987 -

LAST ACESSED: Wednesday, 26 May 2010

ALL DIMENSIONS IN MILLIMETERS UNLESS STATED OTHERWISE

REAR END SUBASM XT-582

Drawn By	Scale	Date
Cris	1:5	10/02/05



6734
SHEET 1 of 1

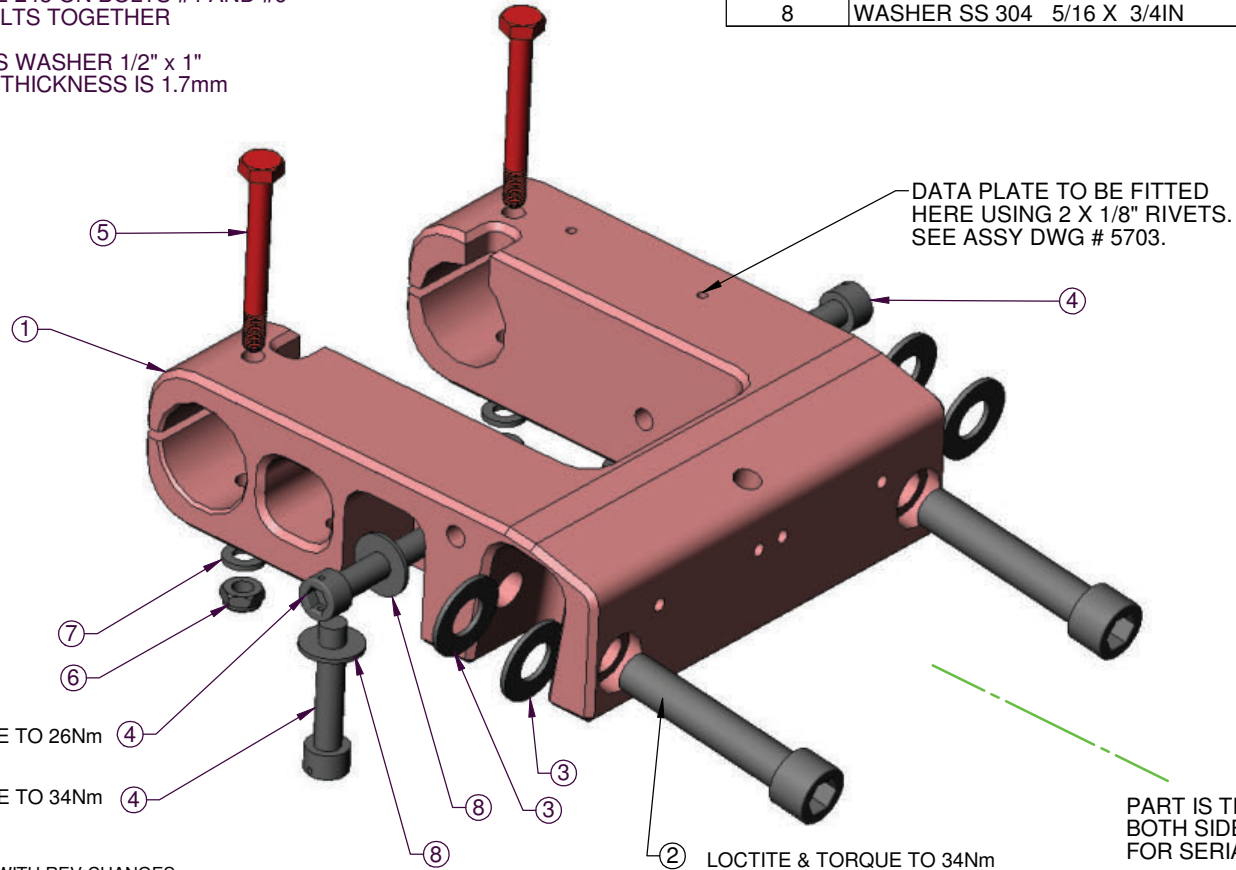
ASSEMBLY NOTES:

TORQUE SETTING:

- HORIZONTAL M8 CAP SCREWS 26 N.m (19 ft.lbs) #6
- VERTICAL M8 CAP SCREWS 34 N.m (19 ft.lbs) #6
- M12 CAP SCREWS 34 N.m (25 ft.lbs) #4
(SEE ENGRPT 03/115)

USE LOCTITE 243 ON BOLTS #4 AND #6
TIE WIRE BOLTS TOGETHER

MEASURE SS WASHER 1/2" x 1"
MAKE SURE THICKNESS IS 1.7mm



LOCTITE & TORQUE TO 26Nm

LOCTITE & TORQUE TO 34Nm

LOCTITE & TORQUE TO 34Nm

PART IS THE SAME
BOTH SIDES, EXCEPT
FOR SERIAL PLATE

ITEM NO.	NAME	DWG	PART NO.	QTY.
1	SEAT MAST BLOCK XT	5234	104734	1
2	SKT CAP SCREW M12X 60 DRILLED	5603	106448	2
3	WASHER SS304 1/2 X 1IN	5540	100093	4
4	SKT CAP SCREW M 8 X 40 DRILLED	5603	106449	4
5	BOLT AN4-22 a	5450	100549	2
6	NUT NYLOC AN4 HALF	5561	100035	2
7	WASHER AN4	5540	100042	2
8	WASHER SS 304 5/16 X 3/4IN	5540	102332	4

UPDATED GJP FORMS WITH REV CHANGES

Rev	AMENDMENTS	Date
1	NEW SERIAL PLATE, FROM TRIKE BASE # XXX	18/10/04
2	NEW DATA PLATE /PART #. FOR XT-582, DCR 2175	26-09-05
3	DCR 2201, MOVED PARTS TO 5703 AND 5634	19-01-06

PART NO. 105446 -

LAST ACESSED: Wednesday, 26 May 2010

ALL DIMENSIONS IN MILLIMETERS UNLESS STATED OTHERWISE

SEAT/MAST BLOCK SUBASM XT

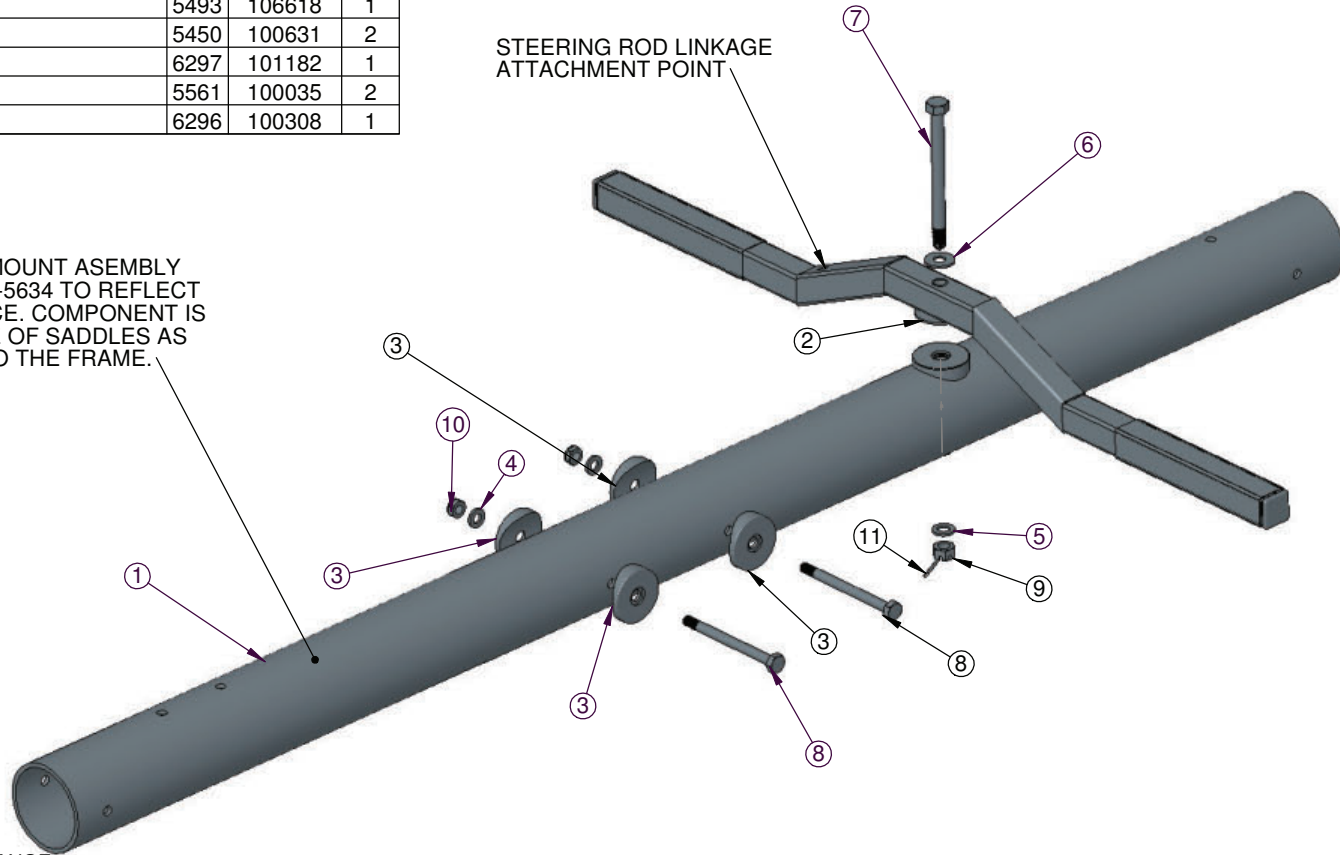
Drawn By	Scale	Date
Cris	1:1.8	20/05/03



5658
SHEET 1 of 1

ITEM NO.	NAME	DWG	PART NO.	QTY.
1	BASE TUBE EDGE XT INCL FITTINGS	5231	104727	1
2	REAR STEERING ARM TYPE 2 GREY	5620	105392	1
3	SADDLE 60MM TUBE	7166	100080	4
4	WASHER AN4	5540	100042	2
5	WASHER AN5	5540	100043	1
6	WASHER SS 304 5/16 X 3/4IN	5540	102332	1
7	BOLT AN5-36	5493	106618	1
8	BOLT AN4-31	5450	100631	2
9	NUT CASTLE AN5	6297	101182	1
10	NUT NYLOC AN4 HALF	5561	100035	2
11	SPLIT PIN M2.0 X 20	6296	100308	1

PART NO. 105402 - BASE TUBE SUBASM XT GREY



MOVED SEAT BASE MOUNT ASEMBLY PART # 104941 TO A4-5634 TO REFLECT ASSEMBLY SEQUENCE. COMPONENT IS BOLTED ON OUTSIDE OF SADDLES AS THE SEAT IS ADDE TO THE FRAME.

UPDATE GJP FORMS WITH REV CHANGE

Rev	AMENDMENTS	Date
1	WASHERS DELETED, BOLT CHANGED	24/02/04
2	SHEET NAME CHANGED + BUSH ADDED	12/07/04
3	CASTLE NUT/BOLT + SPLIT PIN (DCR 2009)	27/08/04
4	DCR 2201, MOVED PART TO 5634	19-01-06
5	DCR 2262, ASM SEQ CHANGE	18-09-06

LAST ACESSED: Wednesday, 26 May 2010
ALL DIMENSIONS IN MILLIMETERS UNLESS STATED OTHERWISE

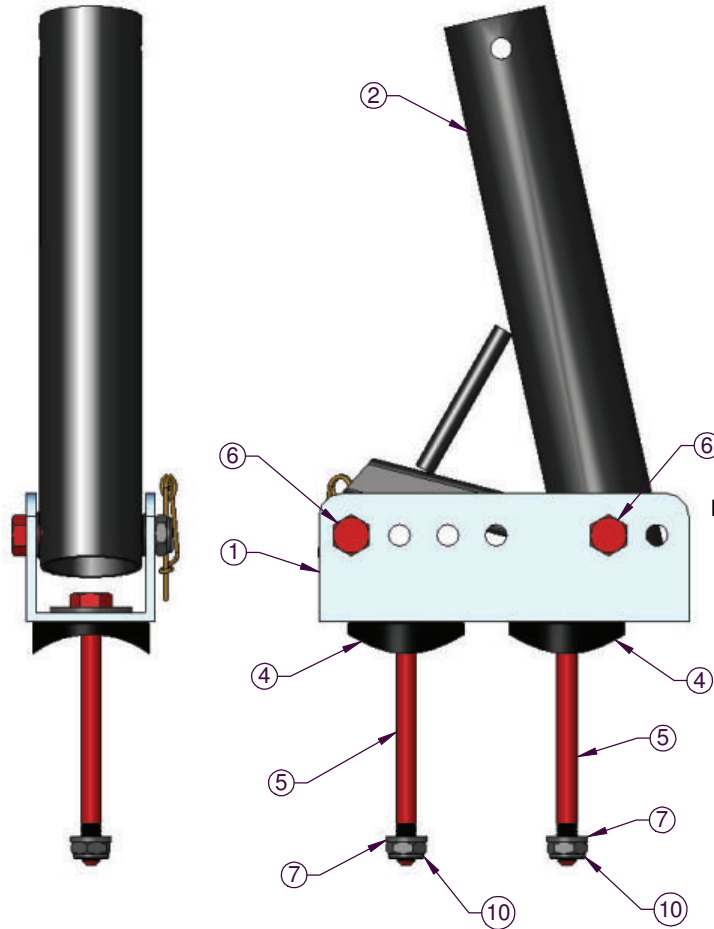
BASE TUBE SUBASM XT

Drawn By	Scale	Date
Cris	1:4	13/05/03

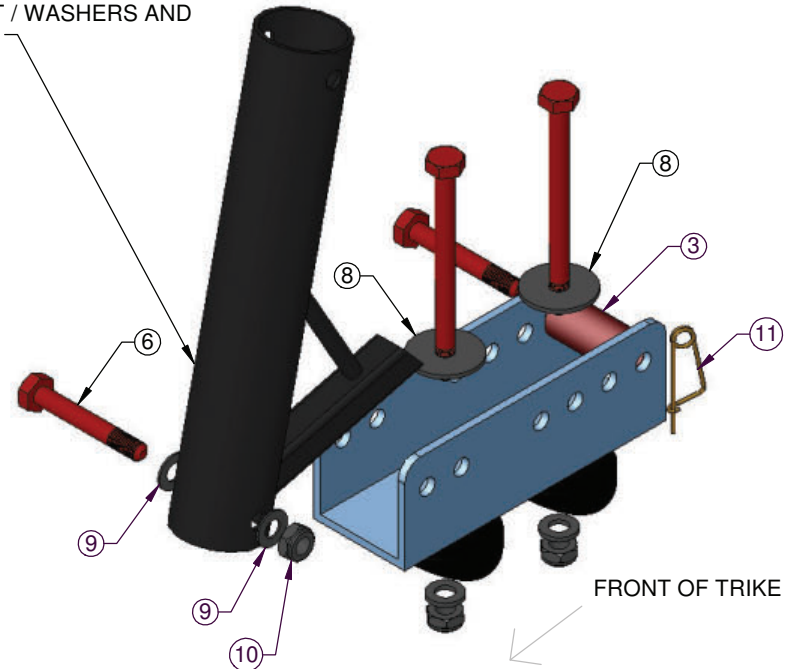


5632
SHEET 1 of 1

ITEM NO.	NAME	DWG	PART NO.	QTY
1	SEAT BACK REST MOUNT CHANNEL	4400	101994	1
2	SEAT BACK REST MOUNT BRACKET ASM	4403	101998	1
3	SEAT BACK REST MOUNT BUSH 15MM	5638	102122	1
4	SADDLE 60MM TUBE	7166	100080	2
5	BOLT AN4-31	5450	100631	2
6	BOLT AN4-16	5450	100004	2
7	WASHER AN4	5540	100042	2
8	WASHER SS 304 1/4 X 1IN	5540	101455	2
9	WASHER NYLON 1/4IN OBA THIN	5540	103961	2
10	NUT NYLOC AN4 HALF	5561	100035	3
11	SAFETY PIN	5545	100920	1



NOTE:
KITTED FOR PRODUCTION AS SHOWN.
SEAT BACKREST COMPONENT AND
ASSOCIATED BOLT / WASHERS AND
NUT IS SEPERATE.



UPDATE GJP FORMS WITH REV CHANGE

Rev	AMENDMENTS	Date
1	PARTS UPDATE	24/02/04

PART NO. 105445 -

LAST ACESSED: Wednesday, 26 May 2010

ALL DIMENSIONS IN MILLIMETERS UNLESS STATED OTHERWISE

SEAT FRONT MOUNT SUBASM XT

Drawn By	Scale	Date
Cris	1:2	20/05/03

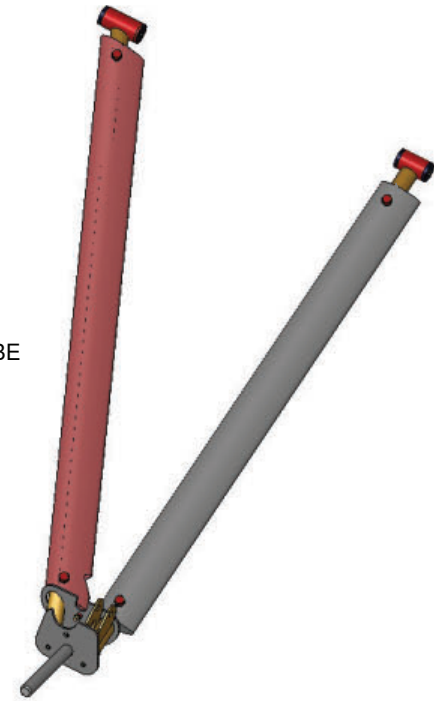
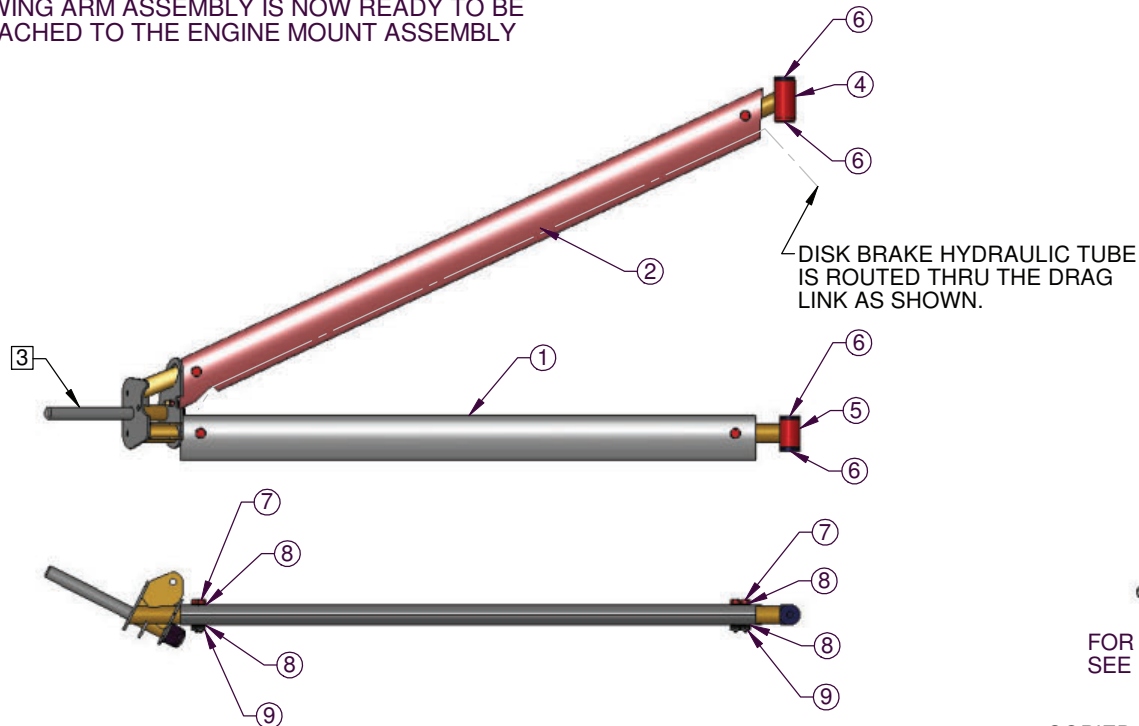


5657
SHEET 1 of 1

ITEM NO.	NAME	DWG	PART NO.	QTY.
1	REAR STRUT FAIRED EDGE XT MK2 715MM	7374	108448	1
2	REAR STRUT FAIRED DRAG LINK EDGE XT MK2	7373	108449	1
3	HUB ASM REAR EDGE XT TYPE3 LHS	7392	110035	1
4	PIVOT BRACKET DRAG LINK XT TYPE 1 GREY	5414	105175	1
5	PIVOT BRACKET REAR STRUT XT GREY	5415	105174	1
6	PIVOT BRACKET ACETAL BUSH XT	5413	105176	4
7	BOLT AN4-13 a	5450	101333	4
8	WASHER AN4	5540	100042	8
9	NUT NYLOC AN4 HALF	5561	100035	4

ASSEMBLY INSTRUCTIONS:

1. PRESS BUSHES INTO PIVOT HOUSING
2. ATTACH SUS PIVOTS TO STRUTS (DO NOT TIGHTEN)
3. ATTACH HUB ASSEMBLY TO STRUT (DO NOT TIGHTEN)
- 4 SWING ARM ASSEMBLY IS NOW READY TO BE ATTACHED TO THE ENGINE MOUNT ASSEMBLY



FOR EXPLODED DETAIL VIEW
SEE RHS SUB-ASSEM A4-7399

COPIED FROM A4-5635, 05-04-07

UPDATE GJP FORMS WITH REV CHANGE

Rev	AMENDMENTS	Date
1	DCR 2431 - TYPE 4 AXLE	24-02-10

PART NO. 108445 - 0

LAST ACESSED: Wednesday, 26 May 2010

ALL DIMENSIONS IN MILLIMETERS UNLESS STATED OTHERWISE

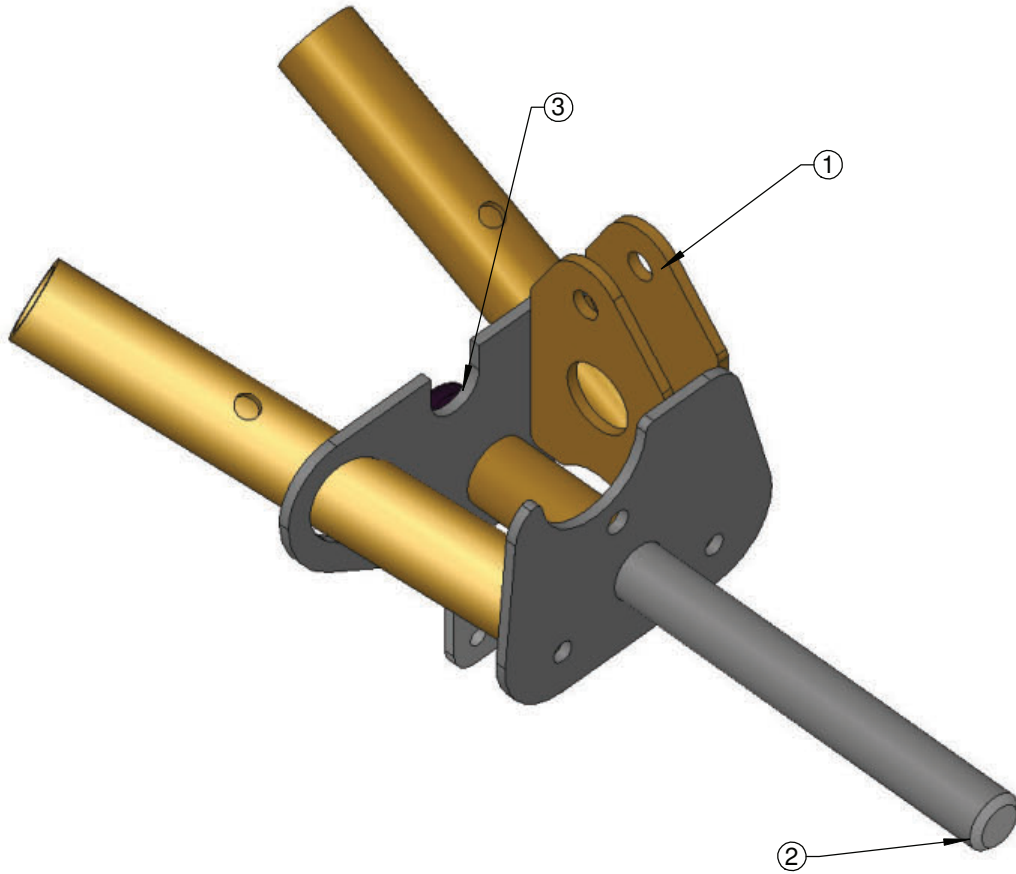
REAR SWING ARM SUBASM XT MK2 LHS

Drawn By	Scale	Date
Simon	1:8	05-04-07



7398
SHEET 1 of 1

ITEM NO.	NAME	DWG	PART NO.	QTY.
1	HUB COMPONENT REAR EDGE XT TYPE 3 LHS	7390	110024	1
2	HUB AXLE EDGE XT TYPE 4 ZINC PLATED	7351	110023	1
3	NUT NYLOC UNF 5/8IN ZINC	5506	105444	1



Rev	AMENDMENTS	Date

PART NO. 110036

LAST ACESSED: Wednesday, 26 May 2010
 ALL DIMENSIONS IN MILLIMETERS UNLESS STATED OTHERWISE

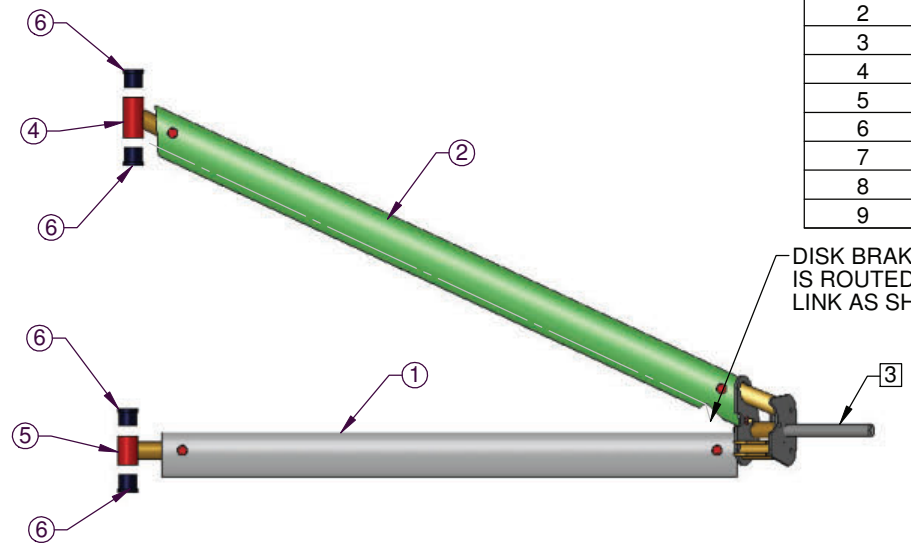
HUB ASM REAR EDGE XT TYPE4 LHS

Drawn By	Scale	Date
Simon	1:1.5	11-02-10

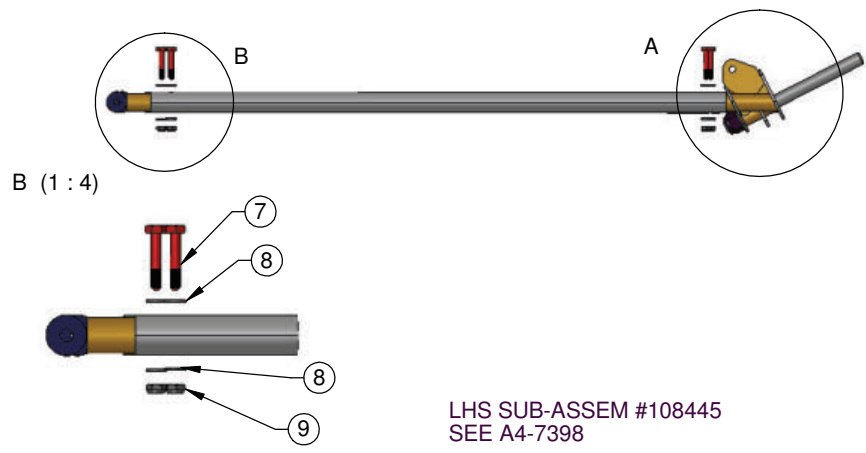


7392
SHEET 3 of 3

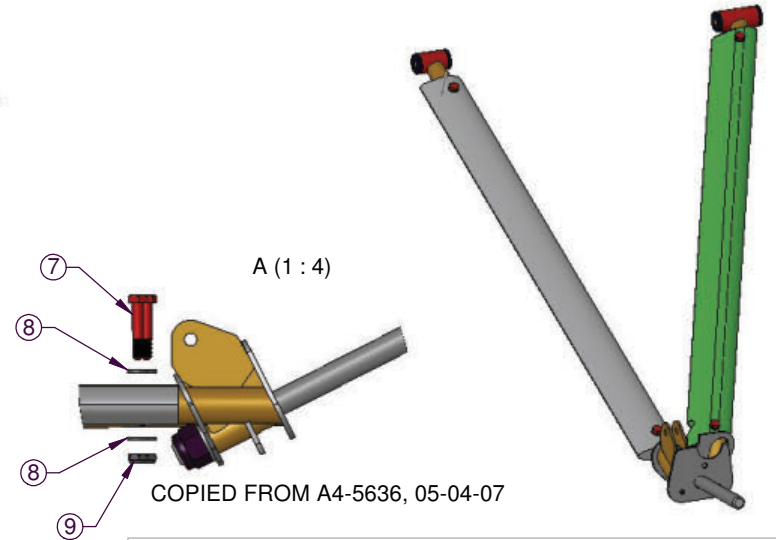
ITEM NO.	NAME	DWG	PART NO.	QTY.
1	REAR STRUT FAIRED EDGE XT MK2 715MM	7374	108448	1
2	REAR STRUT FAIRED DRAG LINK EDGE XT MK2	7373	108449	1
3	HUB ASM REAR EDGE XT TYPE 3 RHS	7391	110037	1
4	PIVOT BRACKET DRAG LINK XT TYPE 1 GREY	5414	105175	1
5	PIVOT BRACKET REAR STRUT XT GREY	5415	105174	1
6	PIVOT BRACKET ACETAL BUSH XT	5413	105176	4
7	BOLT AN4-13 a	5450	101333	4
8	WASHER AN4	5540	100042	8
9	NUT NYLOC AN4 HALF	5561	100035	4



ASSEMBLY INSTRUCTIONS:
 1. NOTE: HUB IS ASSEMBLED FIRST.
 2. PRESS BUSHES INTO PIVOT HOUSING
 3. ATTACH SUS PIVOTS TO STRUTS (DO NOT TIGHTEN)
 4. ATTACH HUB ASSEMBLY TO STRUT (DO NOT TIGHTEN)
 5 SWING ARM ASSEMBLY IS NOW READY TO BE ATTACHED TO THE ENGINE MOUNT ASSEMBLY



LHS SUB-ASSEM #108445
SEE A4-7398



REAR SWING ARM SUBASM XT MK2 RHS

Rev	AMENDMENTS	Date
1	DCR 2431 - TYPE 4 AXLE	24-02-10

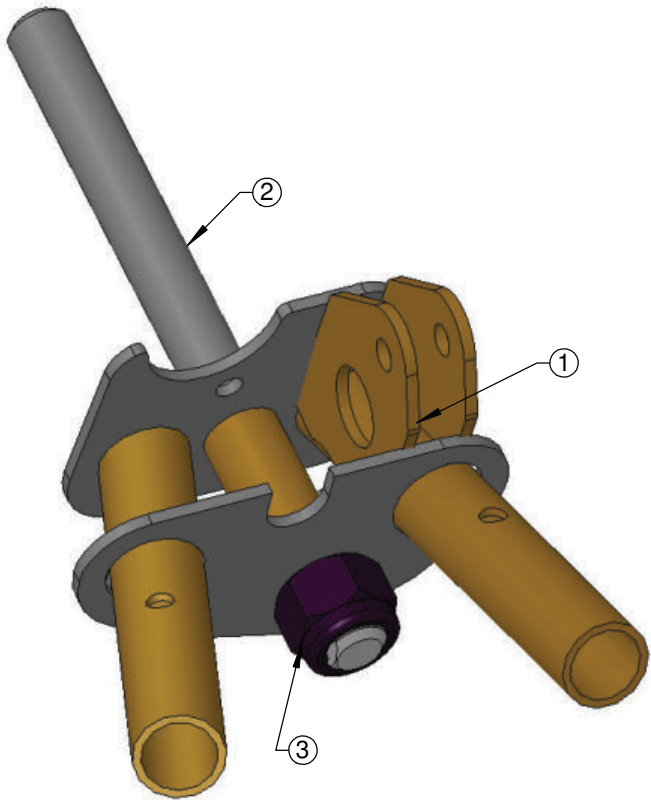
PART NO. 108446 - 0
 LAST ACESSED: Wednesday, 26 May 2010
 ALL DIMENSIONS IN MILLIMETERS UNLESS STATED OTHERWISE

Drawn By	Scale	Date
Simon	1:8	05-04-07



7399
SHEET 1 of 1

ITEM NO.	NAME	DWG	PART NO.	QTY.
1	HUB COMPONENT REAR EDGE XT TYPE 3 RHS	7389	110025	1
2	HUB AXLE EDGE XT TYPE 4 ZINC PLATED	7351	110023	1
3	NUT NYLOC UNF 5/8IN ZINC	5506	105444	1



Rev	AMENDMENTS	Date

PART NO. 110038

LAST ACESSED: Wednesday, 26 May 2010
 ALL DIMENSIONS IN MILLIMETERS UNLESS STATED OTHERWISE

HUB ASM REAR EDGE XT TYPE 4 RHS

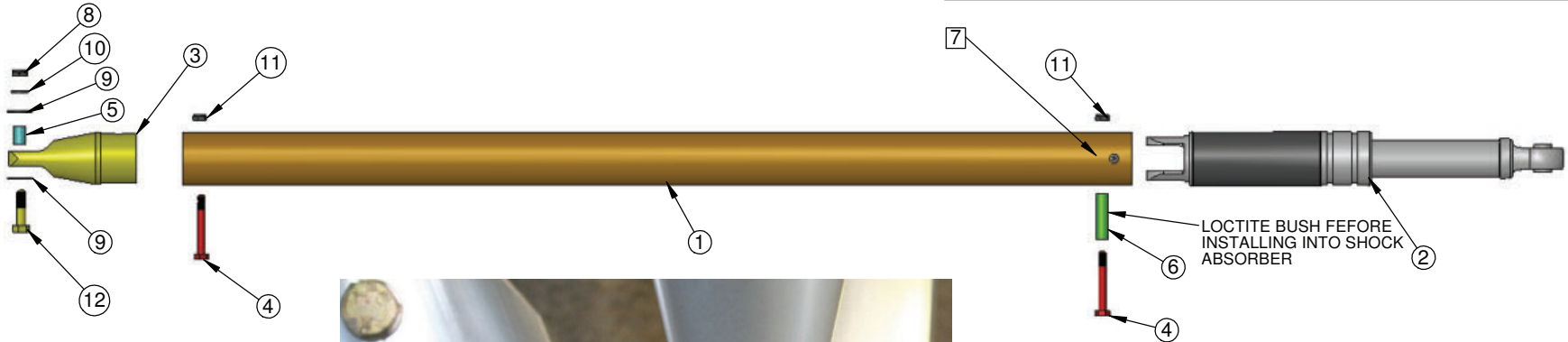
Drawn By	Scale	Date
Simon	1:1.5	11-02-10



7391
SHEET 3 of 3

NOTE: COMPRESSION STRUT CHANGED FROM PART # 108455 (808MM)
 TO PART # 109122 (818MM) ON 28-03-08.
 THIS EFFECTS PRODUCTION TRIKES FROM:
 XT-912 : #233, #245, #246, #247, #248, AND #251 ONWARD EXCEPTING #253.
 XT-582 : #055 ONWARD.
 THESE PARTS MAY BE SUPPLIED IN PAIRS AS SPARES TO EXISTING TRIKES.

ITEM NO.	NAME	DWG	PART NO.	QTY.
1	COMPRESSION STRUT XT MK2 818MM	7375	109122	1
2	SHOCK ABSORBER REAR XT	5351	105262	1
3	COMPRESSION STRUT KNUCKLE XT LOWER	5318	104951	1
4	BOLT AN4-20A	5450	100006	2
5	SPACER SS 10X1.0X15.8L	5451	102901	1
6	BUSH ALLOY SHOCK MOUNT XT	5453	105102	1
7	LOCTITE 262 RED HIGH STRENGTH	5637	103723	1
8	NUT NYLOC AN5 HALF	5561	100037	1
9	WASHER SS 304 M10 X21MM	5540	103458	2
10	WASHER AN5	5540	100043	1
11	NUT NYLOC AN4 HALF	5561	100035	2
12	BOLT AN5-11	5493	102743	1



NOTE:
 DRAWING SHOWS WASHERS AND BOLT ALIGNED
 CORRECTLY IN THE HUB.

THIS DRAWING COPIED FROM A4- 5606 , 05-04-07

Rev	AMENDMENTS	Date
1	DCR 2354 - 28-03-08 CHG STRUT LGTH	28-03-08

PART NO. 108447 - 0

LAST ACESSED: Wednesday, 26 May 2010

ALL DIMENSIONS IN MILLIMETERS UNLESS STATED OTHERWISE

COMPRESSION STRUT REAR ASM XT MK2

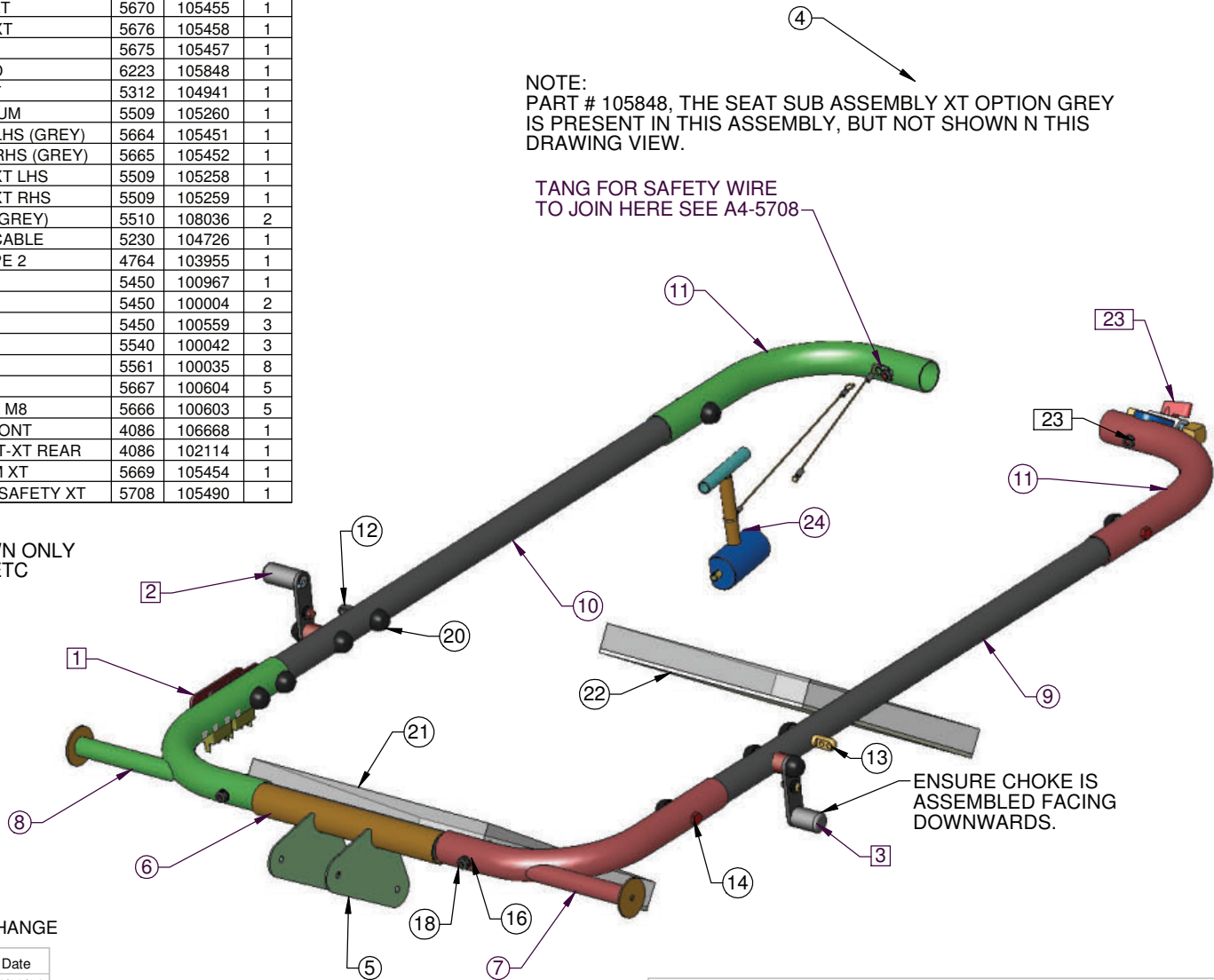
Drawn By	Scale	Date
Simon	1:5	05-04-07



7397
 SHEET 1 of 1

ITEM NO.	NAME	DWG	PART NO.	QTY.
1	IGNITION SWITCH SUBASM XT	5670	105455	1
2	THROTTLE LEVER SUBASM XT	5676	105458	1
3	CHOKE LEVER SUBASM XT	5675	105457	1
4	SEAT EDGE XT GREY TWEED	6223	105848	1
5	SEAT BASE MOUNT EDGE XT	5312	104941	1
6	SEAT TUBE BTM XT ALUMINIUM	5509	105260	1
7	SEAT FRAME CORNER BTM LHS (GREY)	5664	105451	1
8	SEAT FRAME CORNER BTM RHS (GREY)	5665	105452	1
9	SEAT TUBE SIDE SUPPORT XT LHS	5509	105258	1
10	SEAT TUBE SIDE SUPPORT XT RHS	5509	105259	1
11	SEAT FRAME CORNER TOP (GREY)	5510	108036	2
12	EYEBOLT HAND THROTTLE CABLE	5230	104726	1
13	EYEBOLT CHOKE CABLE TYPE 2	4764	103955	1
14	BOLT AN4-15A	5450	100967	1
15	BOLT AN4-16	5450	100004	2
16	BOLT AN4-14A	5450	100559	3
17	WASHER AN4	5540	100042	3
18	NUT NYLOC AN4 HALF	5561	100035	8
19	CAP WASHER BASE CLIP M8	5667	100604	5
20	CAP WASHER COVER BLACK M8	5666	100603	5
21	SEAT BASE 290X290 X-XT FRONT	4086	106668	1
22	SEAT BASE 290X250 E FRONT-XT REAR	4086	102114	1
23	FUEL TAP BRACKET SUBASM XT	5669	105454	1
24	OVER-CENTER LATCH WITH SAFETY XT	5708	105490	1

MAIN COMPONENTS SHOWN ONLY
SEE SHEET 2 FOR BOLTS ETC



NOTE:
PART # 105848, THE SEAT SUB ASSEMBLY XT OPTION GREY IS PRESENT IN THIS ASSEMBLY, BUT NOT SHOWN IN THIS DRAWING VIEW.

TANG FOR SAFETY WIRE
TO JOIN HERE SEE A4-5708

ENSURE CHOKE IS
ASSEMBLED FACING
DOWNWARDS.

UPDATE GJP FORMS WITH REV CHANGE

Rev	AMENDMENTS	Date
2	CHOKE/THROTTLE LEVER UPGRADE - CHOKE INVERTED	4/08/04
3	DCR 2201/12, - WASHER, MOVED PARTS, 19-01-06	
4	MASTER RESTRUCTURE DCR 2256	27-07-06
5	DCR 2296, CHG TO 108036	17-05-07

PART NO. 105429 -

LAST ACESSED: Wednesday, 26 May 2010

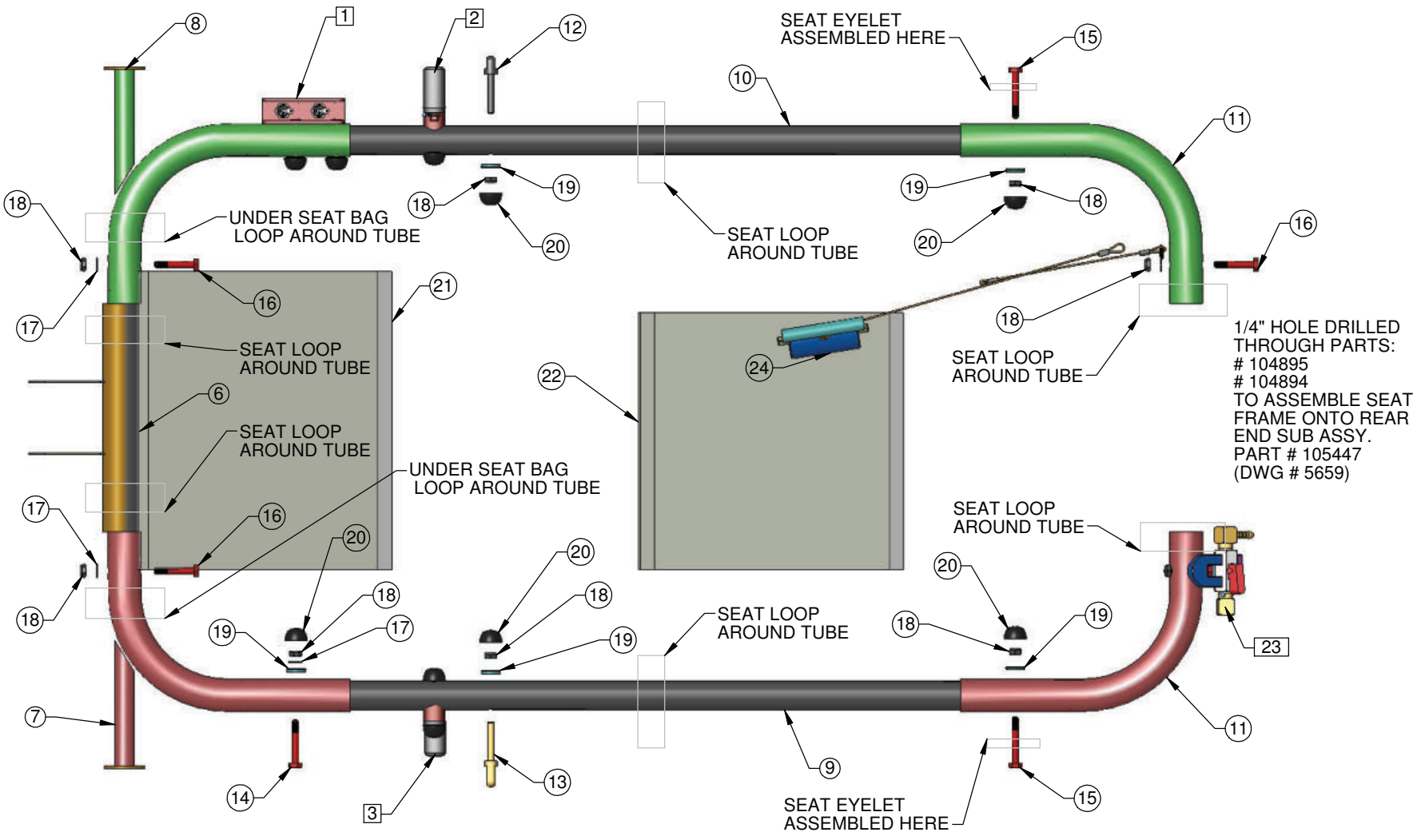
ALL DIMENSIONS IN MILLIMETERS UNLESS STATED OTHERWISE

SEAT FRAME ASM EDGE XT

Drawn By	Scale	Date
Cris	1:5.5	22/05/03



5634
SHEET 1 of 3

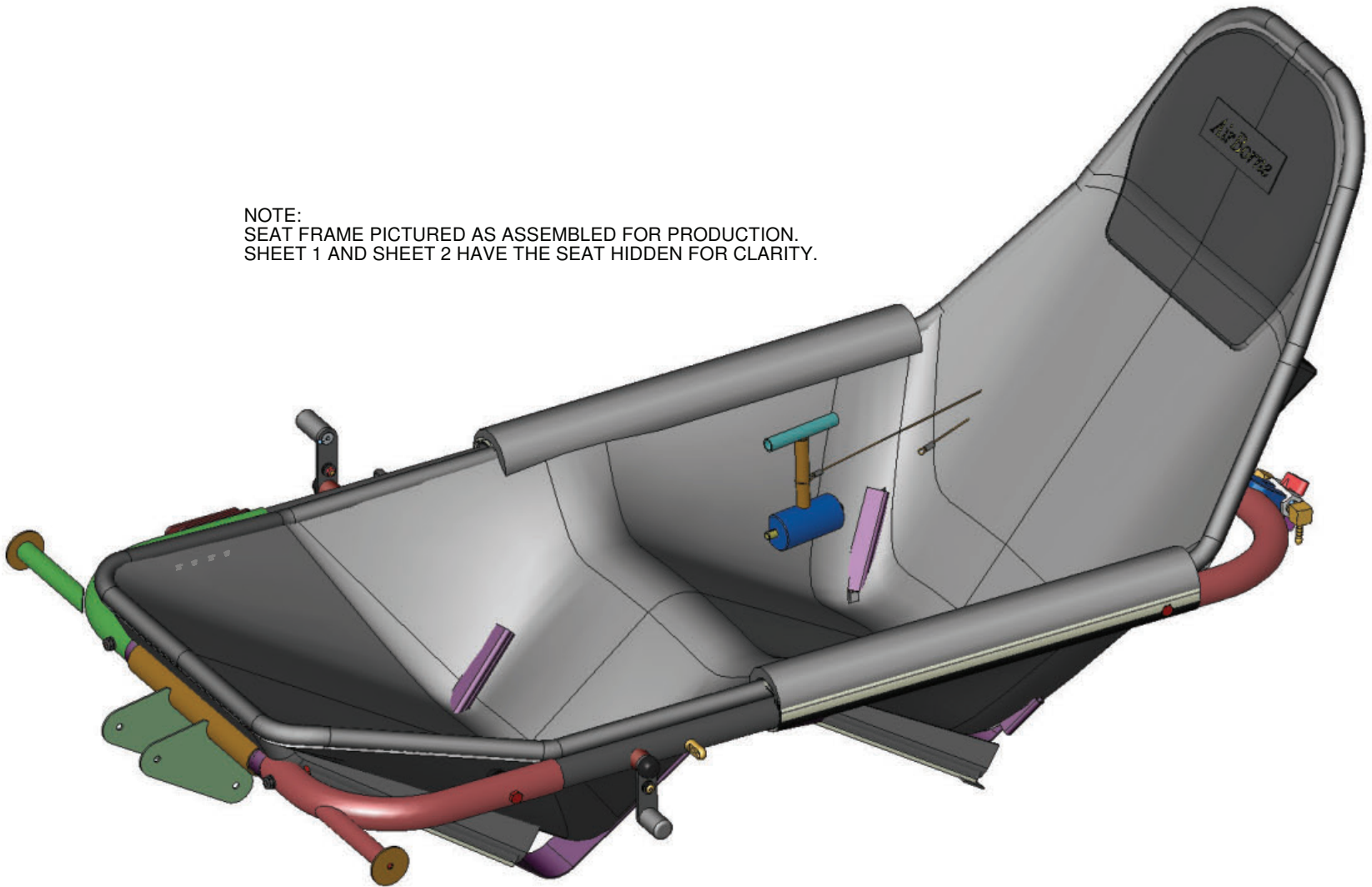


SEAT FRAME ASM EDGE XT

Drawn By	Scale	Date
Cris	1:5	06/05/03



5634
SHEET 2 of 3



NOTE:
SEAT FRAME PICTURED AS ASSEMBLED FOR PRODUCTION.
SHEET 1 AND SHEET 2 HAVE THE SEAT HIDDEN FOR CLARITY.

Rev	AMENDMENTS	Date

PART NO. 105429

LAST ACESSED: Wednesday, 26 May 2010
ALL DIMENSIONS IN MILLIMETERS UNLESS STATED OTHERWISE

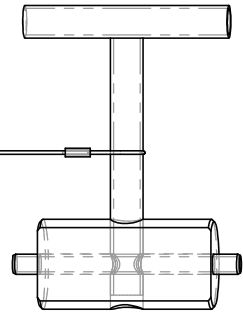
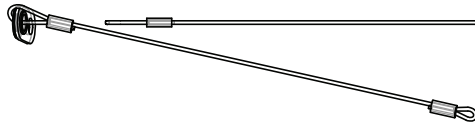
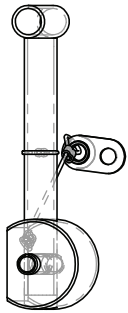
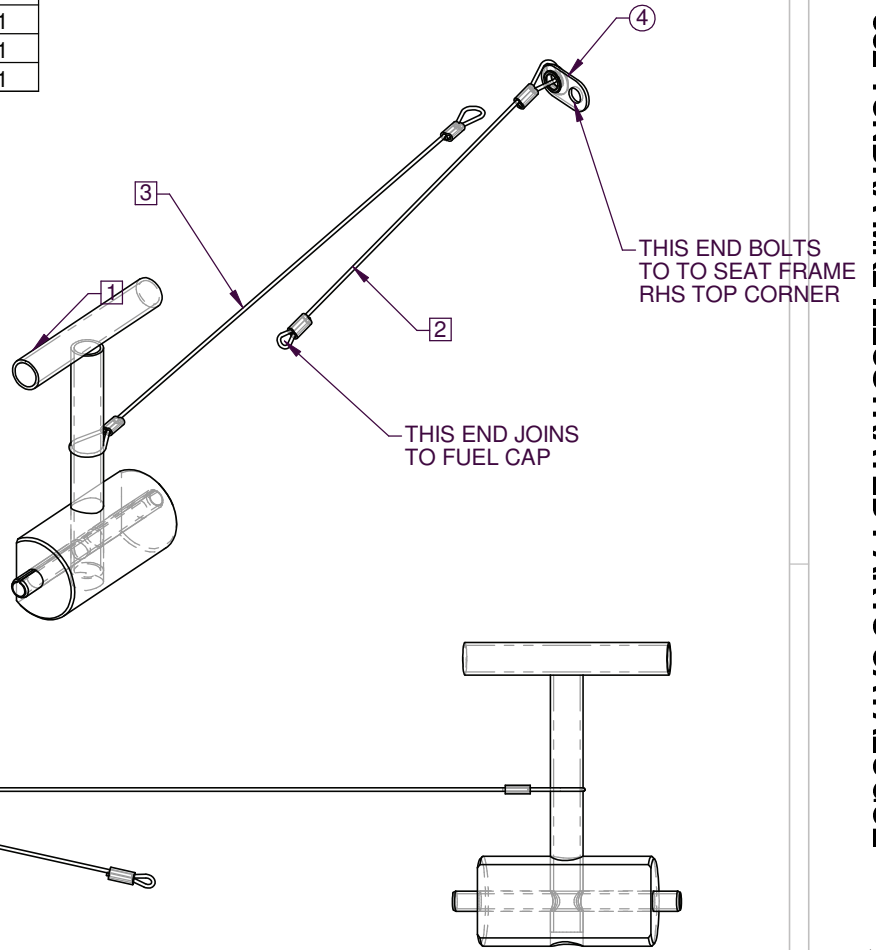
SEAT FRAME ASM EDGE XT

Drawn By	Scale	Date
Simon	1:20	25-01-06



5634
SHEET 3 of 3

ITEM NO.	NAME	DWG	PART NO.	QTY.
1	OVER-CENTER LATCH ASM EDGE XT	5298	104890	1
2	SAFETY WIRE SUBASM FUEL CAP XT	5702	105483	1
3	SAFETY WIRE SUBASM O/C LEVER XT	5702	105484	1
4	TANG 1/4IN EYELET HOLE	5673	103290	1



UPDATE GJP FORMS WITH REV CHANGE

Rev	AMENDMENTS	Date

PART NO. 105490 -

LAST ACESSED: Wednesday, 26 May 2010

ALL DIMENSIONS IN MILLIMETERS UNLESS STATED OTHERWISE

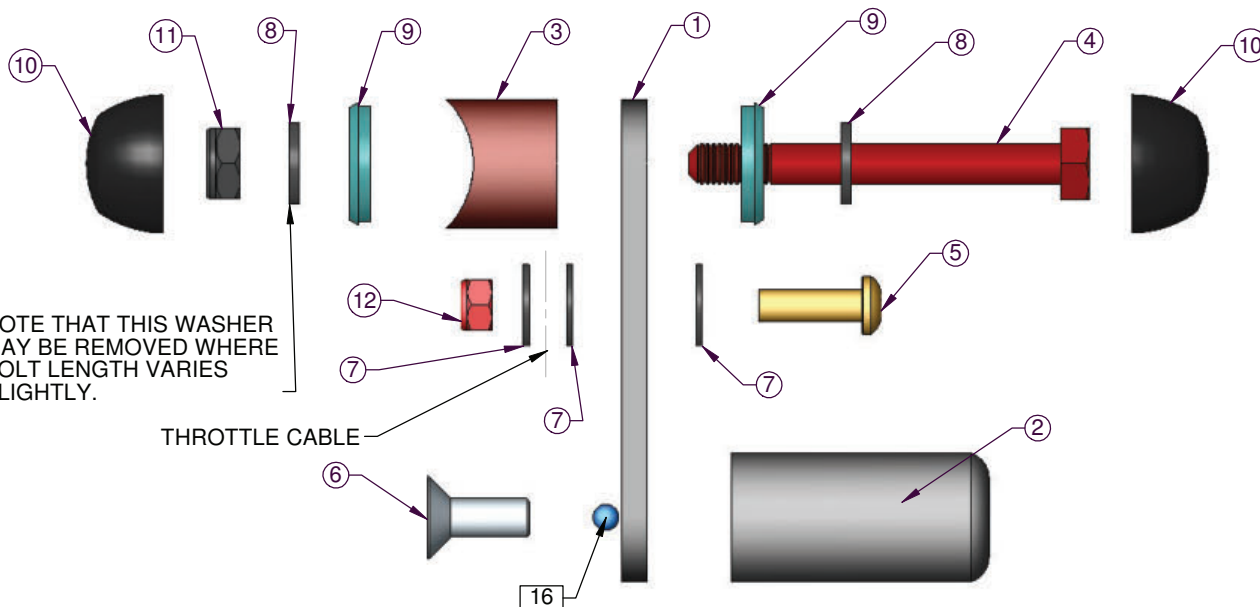
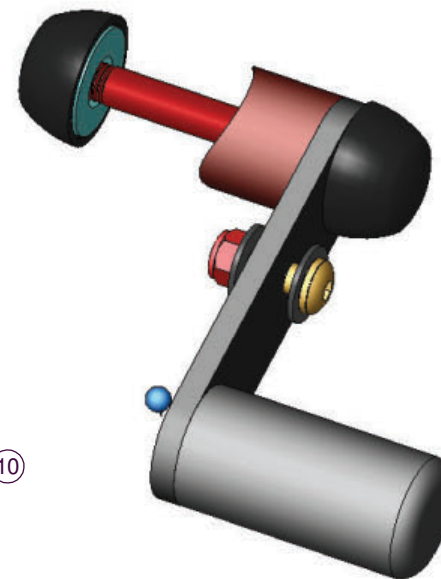
OVER-CENTER LATCH WITH SAFETY XT

Drawn By	Scale	Date
Cris	1:2.5	03/06/03



5708
SHEET 1 of 1

ITEM NO.	NAME	DWG	PART NO.	QTY
1	HAND LEVER TYPE 2 (COUNTERSINK)	4410	106476	1
2	KNOB - HAND PLASTIC 40	6433	106531	1
3	SPACER HAND THROTTLE-CHOKE LEVER XT	5674	105456	1
4	BOLT AN4-22 a	5450	100549	1
5	SKT BUTTON SCREW M5 X 16 SS 304	5677	103182	1
7	WASHER SS304 3/16 X 1/2IN	5540	100569	3
8	WASHER AN4	5540	100042	2
9	CAP WASHER BASE CLIP M8	5667	100604	2
10	CAP WASHER COVER BLACK M8	5666	100603	2
11	NUT NYLOC AN4 HALF	5561	100035	1
12	NUT NYLOC M 5 ZINC	5604	101365	1
13	SKT CSK SCREW M 6X 16 SS 304	5568	106275	1
16	LOCTITE 243 BLUE MID STRENGTH	5637	103706	1



NOTE THAT THIS WASHER MAY BE REMOVED WHERE BOLT LENGTH VARIES SLIGHTLY.

THROTTLE CABLE

REV 2 USED FROM SERIAL NO. 045

Rev	AMENDMENTS	Date
1	WASHER NOTE ADDED / BOLT SIZE	24/02/04
2	KNOB DESIGN CHANGE (DCR 2056)	4/08/04

PART NO. 105458 -

LAST ACESSED: Wednesday, 26 May 2010

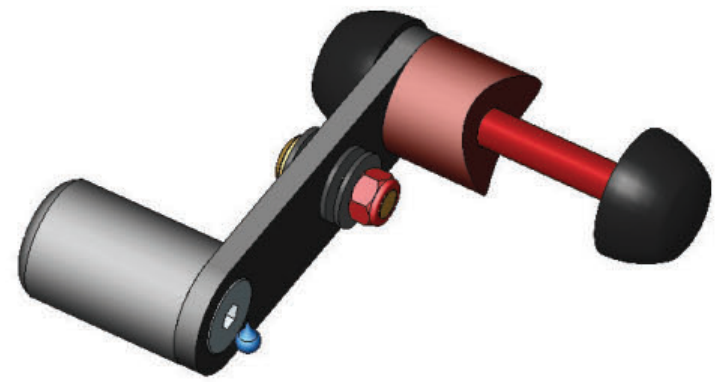
ALL DIMENSIONS IN MILLIMETERS UNLESS STATED OTHERWISE

THROTTLE LEVER SUBASM XT

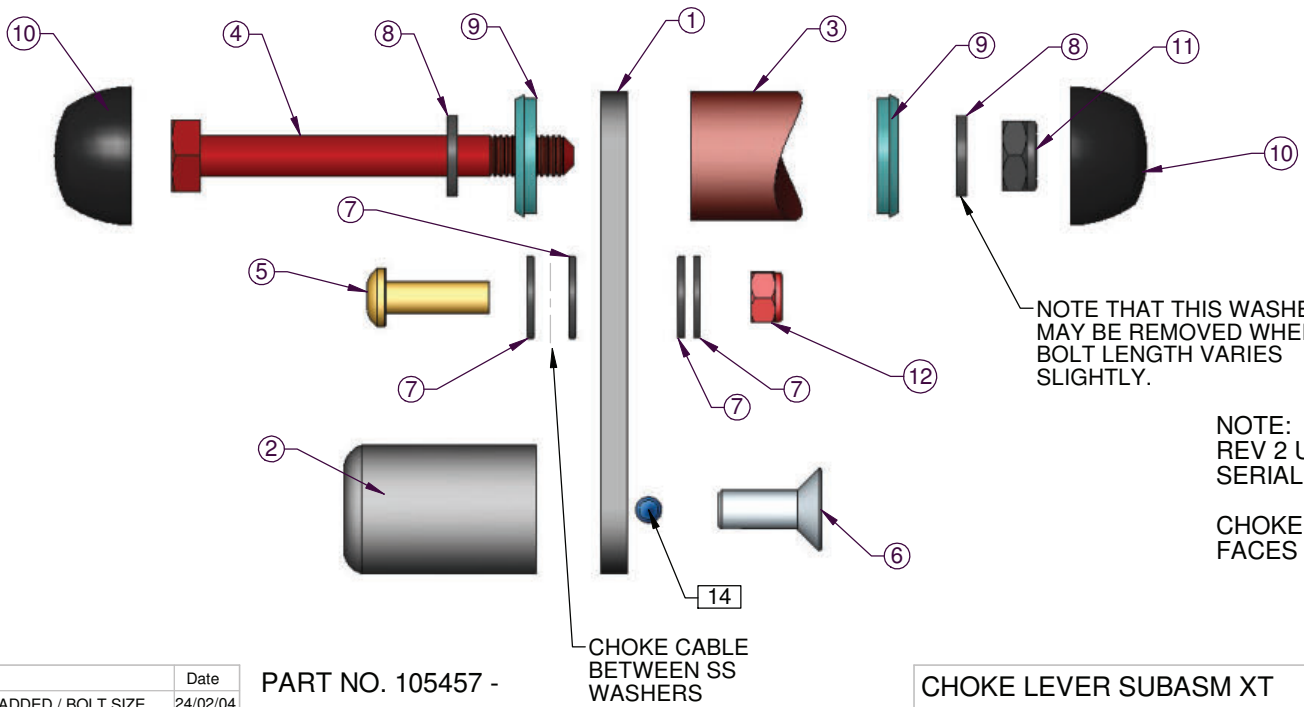
Drawn By	Scale	Date
Cris	1:1	23/05/03



5676
SHEET 1 of 1



ITEM NO.	NAME	DWG	PART NO.	QTY
1	HAND LEVER TYPE 2 (COUNTERSINK)	4410	106476	1
2	KNOB - HAND PLASTIC 30	6433	106530	1
3	SPACER HAND THROTTLE-CHOKE LEVER XT	5674	105456	1
4	BOLT AN4-22 a	5450	100549	1
5	SKT BUTTON SCREW M5 X 16 SS 304	5677	103182	1
7	WASHER SS304 3/16 X 1/2IN	5540	100569	4
8	WASHER AN4	5540	100042	2
9	CAP WASHER BASE CLIP M8	5667	100604	2
10	CAP WASHER COVER BLACK M8	5666	100603	2
11	NUT NYLOC AN4 HALF	5561	100035	1
12	NUT NYLOC M 5 ZINC	5604	101365	1
13	SKT CSK SCREW M 6X 16 SS 304	5568	106275	1
14	LOCTITE 243 BLUE MID STRENGTH	5637	103706	1



NOTE THAT THIS WASHER MAY BE REMOVED WHERE BOLT LENGTH VARIES SLIGHTLY.

NOTE:
REV 2 USED FROM
SERIAL NO. 045 ONWARD

CHOKE HANDLE NOW
FACES DOWN ON XT

CHOKE CABLE
BETWEEN SS
WASHERS

Rev	AMENDMENTS	Date
1	WASHER NOTE ADDED / BOLT SIZE	24/02/04
2	KNOB DESIGN CHANGE (DCR 2055)	4/08/04

PART NO. 105457 -
 LAST ACESSED: Wednesday, 26 May 2010
 ALL DIMENSIONS IN MILLIMETERS UNLESS STATED OTHERWISE

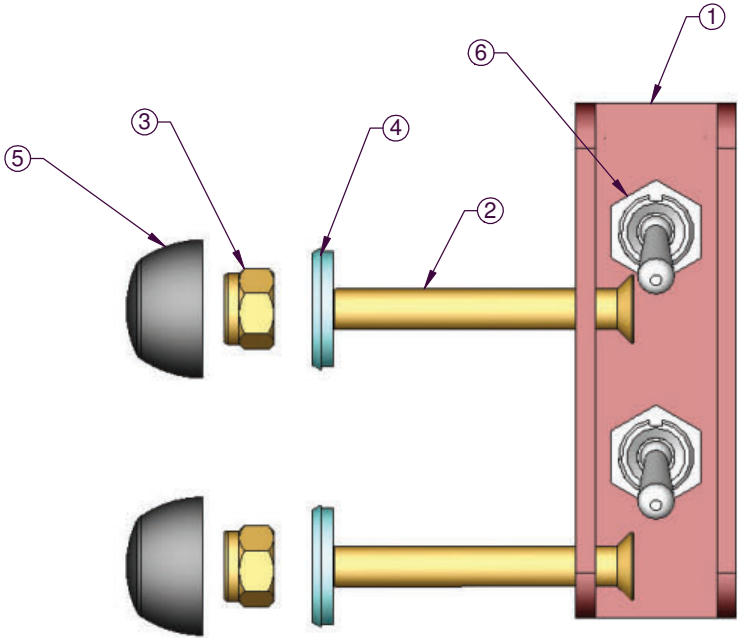
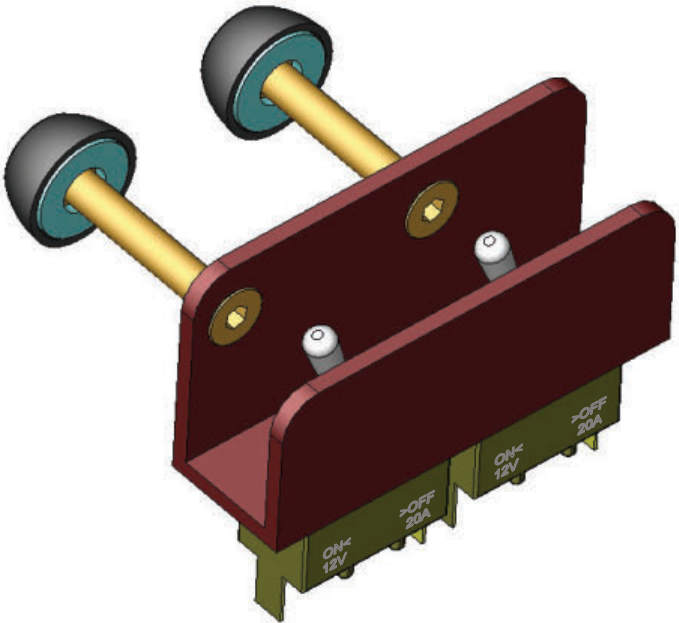
CHOKE LEVER SUBASM XT

Drawn By	Scale	Date
Cris	1:1	23/05/03



5675
SHEET 1 of 1

ITEM NO.	NAME	DWG	PART NO.	QTY.
1	CHANNEL IGNITION SWITCH	4579	103082	1
2	SKT CSK SCREW BSW 1/4IN MOD 46L	5568	106319	2
3	NUT NYLOC BSW 1/4IN	5535	101822	2
4	CAP WASHER BASE CLIP M8	5667	100604	2
5	CAP WASHER COVER BLACK M8	5666	100603	2
6	SWITCH IGNITION SPST TOGGLE	5671	100250	2



NOTE: SWITCHES SHOWN IN THE ON POSITION

Rev	AMENDMENTS	Date
1	MOD BOLT CHANGED WASHERS REMOVED	1/10/03

PART NO. 105455 -

LAST ACESSED: Wednesday, 26 May 2010

ALL DIMENSIONS IN MILLIMETERS UNLESS STATED OTHERWISE

IGNITION SWITCH SUBASM XT

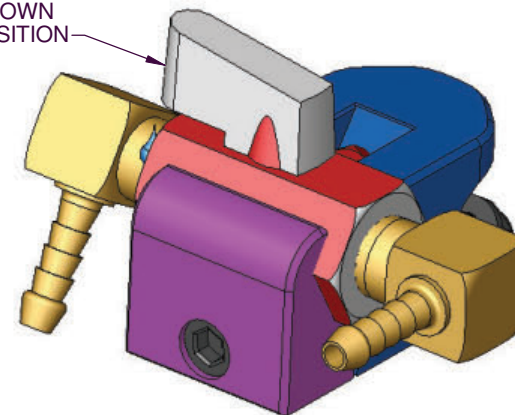
Drawn By	Scale	Date
Cris	1:1	22/05/03



5670
SHEET 1 of 1

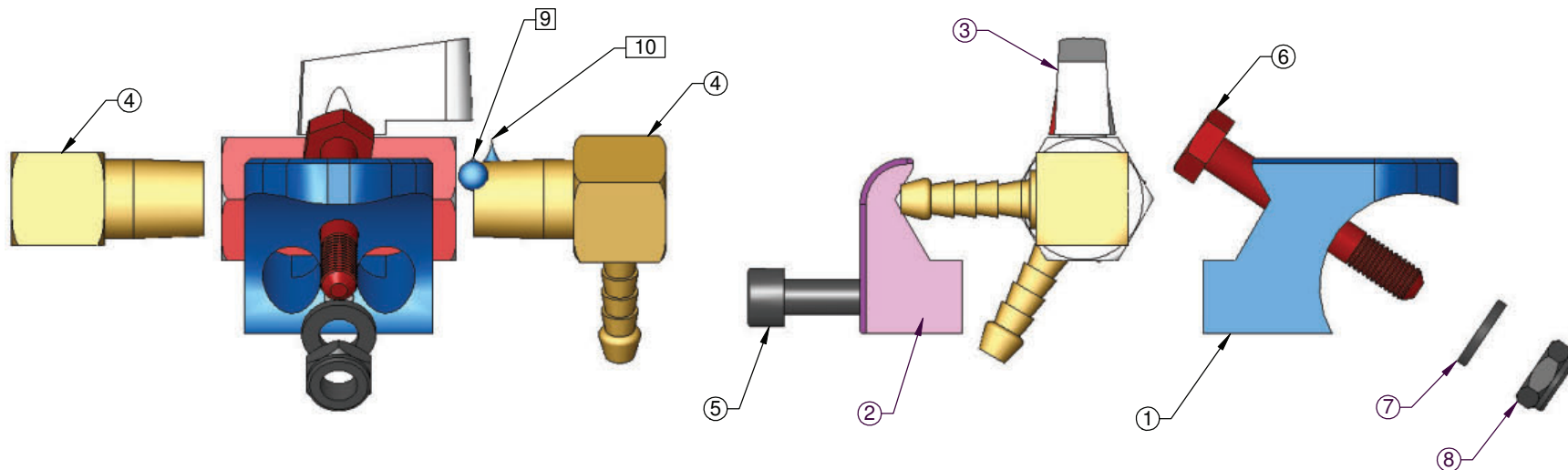
ITEM NO.	NAME	DWG	PART NO.	QTY.
1	FUEL TAP BRACKET XT FWD	5447	105240	1
2	FUEL TAP BRACKET XT AFT	5448	105241	1
3	FUEL TAP HEX	5672	105346	1
4	ELBOW MALE 1/4X1/4 BSP	5528	100982	2
5	SKT CAP SCREW M 6 X 20 SS	5603	105752	1
6	BOLT AN4-15A	5450	100967	1
7	WASHER AN4	5540	100042	1
8	NUT NYLOC AN4 HALF	5561	100035	1
9	TAPE THREAD - YELLOW (GAS)	5637	106603	1
10	LOCTITE 567 WHITE THREAD SEALANT	5637	103705	1

NOTE: TAP SHOWN IN THE ON POSITION



ASSEMBLY INSTRUCTIONS:

1. APPLY THREAD TAPE TO ELBOWS (APPROX 5 TURNS IN THE THREAD DIRECTION, START 1.5 THREADS IN FROM THE END)
2. APPLY A SMALL AMOUNT OF THREAD SEALANT
3. ALIGN ELBOW ENDS FOR HOSE ATTACHMENT



UPDATE GJP FORMS WITH REV CHANGE

Rev	AMENDMENTS	Date
1	BOLT CHANGED TO SS & AN4-15	29/07/03
2	THREAD TAPE AND NOTE ADDED	16/08/04

PART NO. 105454 -

LAST ACESSED: Wednesday, 26 May 2010

ALL DIMENSIONS IN MILLIMETERS UNLESS STATED OTHERWISE

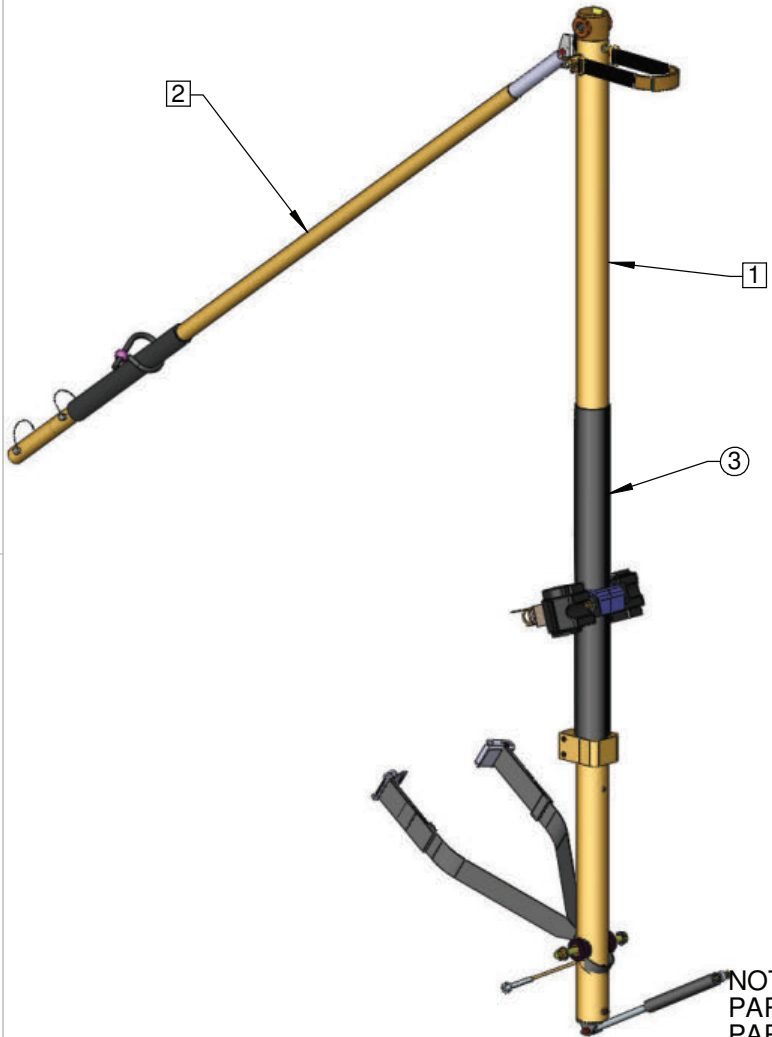
FUEL TAP BRACKET SUBASM XT

Drawn By	Scale	Date
Cris	1:1	22/05/03



5669
SHEET 1 of 1

ITEM NO.	NAME	DWG	PART NO.	QTY.
1	MAST ASM EDGE XT TYPE 2	7862	109777	1
2	FRNT POLE SUBASM XT	5712	105499	1
3	MAST HEAD REST PADDING ASM XT	6290	106532	1



NOTE:
 PRODUCTION ASSEMBLY HAS
 BEEN CREATED FOR
 STOCKING PURPOSES
 ONLY.
 KIT IS NOT ASSEMBLED.

NOTE: BOMS ARE THE SAME FOR BOTH ASMS
 PART NO. 109775 - MAST & FRONT POLE ASM XT TYPE 2
 PART NO. 110052 - MAST & FRONT POLE SUBKIT XT TYPE 2 (KIT)

Rev	AMENDMENTS	Date
1	DCR 2402 T SERIES DEV	30-07-09

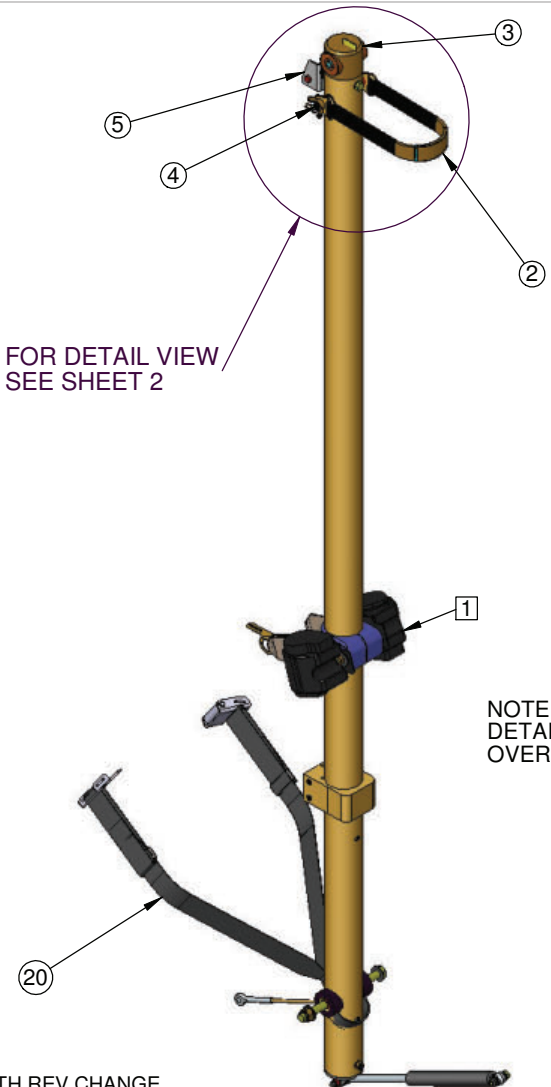
LAST ACESSED: Wednesday, 26 May 2010
 ALL DIMENSIONS IN MILLIMETERS UNLESS STATED OTHERWISE

MAST & FRONT POLE ASM XT TYPE 2

Drawn By	Scale	Date
Stuart	1:12	30-07-09

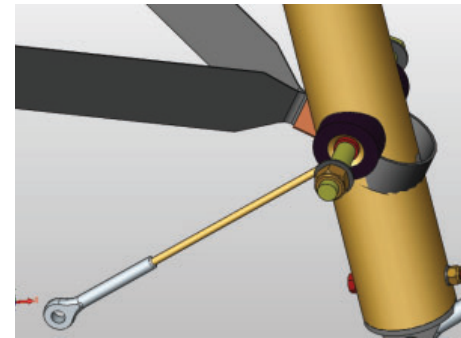


7860
 SHEET 1 of 1



FOR DETAIL VIEW
SEE SHEET 2

NOTE:
DETAIL SHOWS SEAT BELT ROUTED
OVER THE TOP OF THE SAFETY WIRE.



ITEM NO.	NAME	DWG	PART NO.	QTY.
1	MAST TUBE VERT SUB ASM XT TYPE 2	7861	109776	1
2	BACKUP LOOP - TRIKE	4640	100865	1
3	MAST TOP ADAPTER SUBASM XT TYPE 2	7863	109778	1
4	BOLT SAE 5 UNF 3/8X 4-1/2IN DRILLED	7846	109729	1
5	BRACKET A FRAME TOP TYPE 1 STAINLESS	3070	100762	1
6	SADDLE 60MM TUBE	7166	100080	1
7	BOLT AN5-31A	5493	100022	1
8	BOLT AN4-20	5450	105330	1
9	WASHER SS304 3/8 X 3/4	5540	100924	1
10	SPACER ALLOY OD 18X ID 25-64X 16L	4013	109732	1
11	WASHER AN6	5540	100044	3
12	WASHER AN5	5540	100043	1
13	NUT NYLOC AN6 FULL	5535	100038	1
14	NUT NYLOC AN5 FULL	5535	100036	1
15	WASHER SS SQAURE 34X50	3047	101185	1
16	WINGNUT AN6	5534	101065	1
17	WINGNUT AN4	5534	102472	1
18	SAFETY PIN	5545	100920	2
19	STRAP MAST TIE DOWN EDGE XT	6593	106785	1
20	SEAT BELT LAP REAR XT ASM TYPE 3 409	7620	109200	1

UPDATE GJP FORMS WITH REV CHANGE

Rev	AMENDMENTS	Date
1	DCR 2402 T SERIES DEV	30-07-09
2	DCR 2436 582 XT KIT	27-04-10

PART NO. 109777 - 0

LAST ACESSED: Wednesday, 26 May 2010

ALL DIMENSIONS IN MILLIMETERS UNLESS STATED OTHERWISE

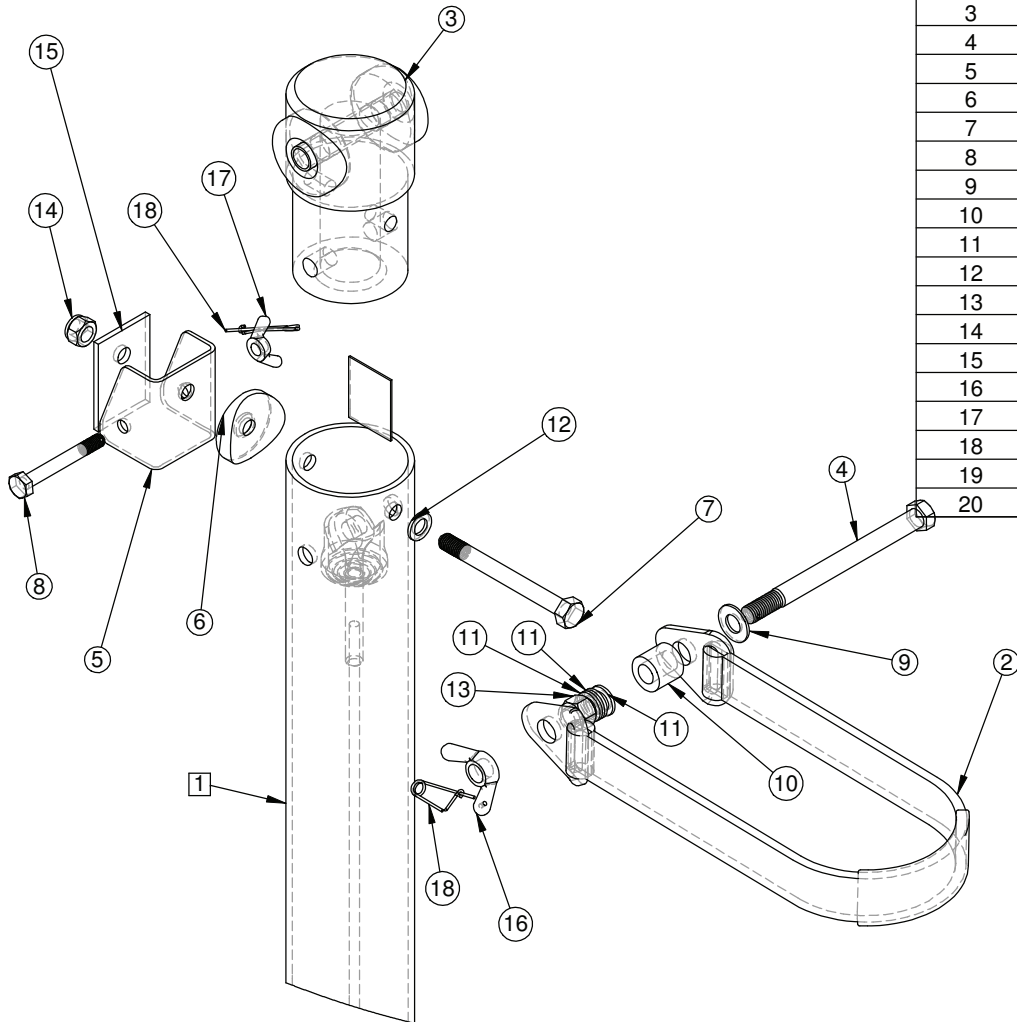
COPIED FROM A4-5564.

MAST ASM EDGE XT TYPE 2

Drawn By	Scale	Date
Stuie	1:12	30-07-09



7862
SHEET 1 of 2



ITEM NO.	NAME	DWG	PART NO.	QTY.
1	MAST TUBE VERT SUB ASM XT TYPE 2	7861	109776	1
2	BACKUP LOOP - TRIKE	4640	100865	1
3	MAST TOP ADAPTER SUBASM XT TYPE 2	7863	109778	1
4	BOLT SAE 5 UNF 3/8X 4-1/2IN DRILLED	7846	109729	1
5	BRACKET A FRAME TOP TYPE 1 STAINLESS	3070	100762	1
6	SADDLE 60MM TUBE	7166	100080	1
7	BOLT AN5-31A	5493	100022	1
8	BOLT AN4-20	5450	105330	1
9	WASHER SS304 3/8 X 3/4	5540	100924	1
10	SPACER ALLOY OD 18X ID 25-64X 16L	4013	109732	1
11	WASHER AN6	5540	100044	3
12	WASHER AN5	5540	100043	1
13	NUT NYLOC AN6 FULL	5535	100038	1
14	NUT NYLOC AN5 FULL	5535	100036	1
15	WASHER SS SQAURE 34X50	3047	101185	1
16	WINGNUT AN6	5534	101065	1
17	WINGNUT AN4	5534	102472	1
18	SAFETY PIN	5545	100920	2
19	STRAP MAST TIE DOWN EDGE XT	6593	106785	1
20	SEAT BELT LAP REAR XT ASM TYPE 3 409	7620	109200	1

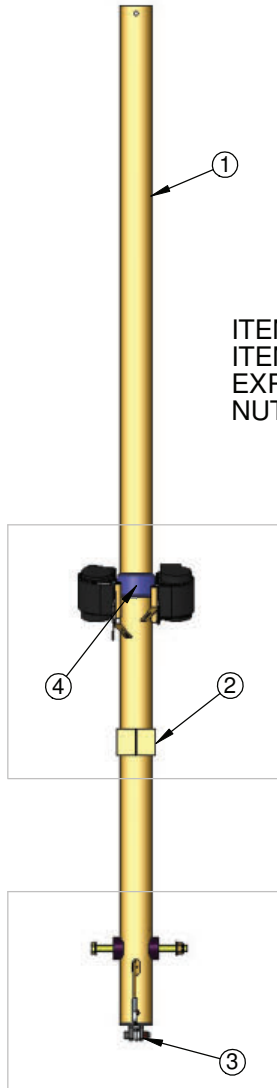
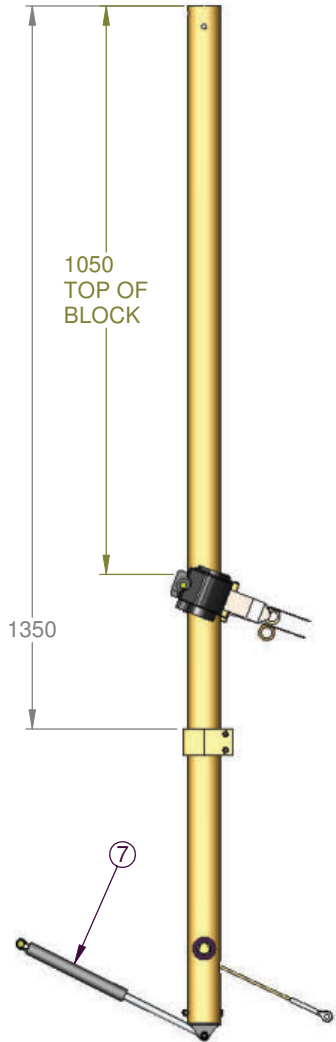
NOTE:
ITEM # 2 "BACKUP LOOP TRIKE" IS ASSEMBLED WITH THE MAST BETWEEN THE SPACER AND TWO AN6 WASHERS. THE SPACER FITS ON THE RHS OF THE TRIKE BASE AND THE WASHERS ON THE LHS.

NOTE: WHEN FITTING THE MAST SAFETY WIRE, FROM DRAWING 7861. GUIDE THE RUBBER CAP INTO THE MAST TOP ADAPTER SO THAT IT HELPS HOLD THE WIRE IN PLACE WHILE FITTING THE SECURING BOLT.

Rev	AMENDMENTS	Date

PART NO. 109777 A (1 : 3)
 LAST ACESSED: Wednesday, 26 May 2010
 ALL DIMENSIONS IN MILLIMETERS UNLESS STATED OTHERWISE

MAST ASM EDGE XT TYPE 2			
Drawn By	Scale	Date	
Stuie	1:12	30-07-09	7862
			SHEET 2 of 2



ITEMS 1 THRU 7 ARE THE MAJOR ITEMS IN THE ASSEMBLY, SEE EXPLODED ASSYS FOR BOLTS, NUTS, WASHERS AND BUSHES.

SEE DETAIL : A SHEET # 2

SEE DETAIL : B SHEET # 3

ITEM NO.	NAME	DWG	PART NO.	QTY.
1	MAST TUBE EDGE XT WITH INT SLEEVE TYPE 2	7859	109774	1
2	MAST CLAMP BLOCK XT (PLASTIC)	5270	104888	1
3	MAST BTM KNUCKLE XT	5262	104886	1
4	SHOULD BELT MAST BLOCK XT	5380	105129	1
5	SEAT BELT SHLDR REAR XT TYPE 3 LHS -2	7623	109203	1
6	SEAT BELT SHLDR REAR XT TYPE 3 RHS -1	7624	109204	1
7	GAS STRUT 200MM BODY	5607	105149	1
8	MAST SADDLE EDGE XT	5303	104911	2
9	BUSH MAST PIVOT EDGE XT	2088	105425	1
10	BOLT 8.8 GR UNC 1/2X170MM MODIFIED	5661	105327	1
11	BOLT AN5-36A	5493	100026	1
12	BOLT AN5-11	5493	102743	1
13	BOLT AN4-26A	5450	100009	1
14	SKT CAP SCREW M 8 X 40 ZINC	5603	101519	1
15	SKT CAP SCREW M 6 X 60 SS	5603	101744	2
16	WASHER NYLON M 8 XOD	5540	100820	4
17	WASHER SS304 5/16 X 1IN X 16G	5540	100714	2
18	WASHER SS304 1/2 X 1IN	5540	100093	2
19	WASHER AN5	5540	100043	4
20	WASHER AN4	5540	100042	1
21	NUT NYLOC M 8 ZINC	5604	100915	1
22	NUT NYLOC M 6 ZINC	5604	102132	2
23	NUT NYLOC AN5 FULL	5535	100036	1
24	NUT NYLOC AN5 HALF	5561	100037	1
25	NUT NYLOC AN4 FULL	5535	100034	1
26	NUT NYLOC UNC 1/2IN ZINC	5535	101174	1
27	MAST SAFETY WIRE ASM XT TYPE 2 WITH CAP	7867	109812	1

VIEW FROM FRONT OF SEAT BELTS. NOTE HOUSING ORIENTATIONS ARE OPPOSITE.



COPIED FROM DRAWING A4-5588.

MAST TUBE VERT SUB ASM XT TYPE 2

Drawn By	Scale	Date
Stuie	1:12	30-07-09



7861 SHEET 1 of 3

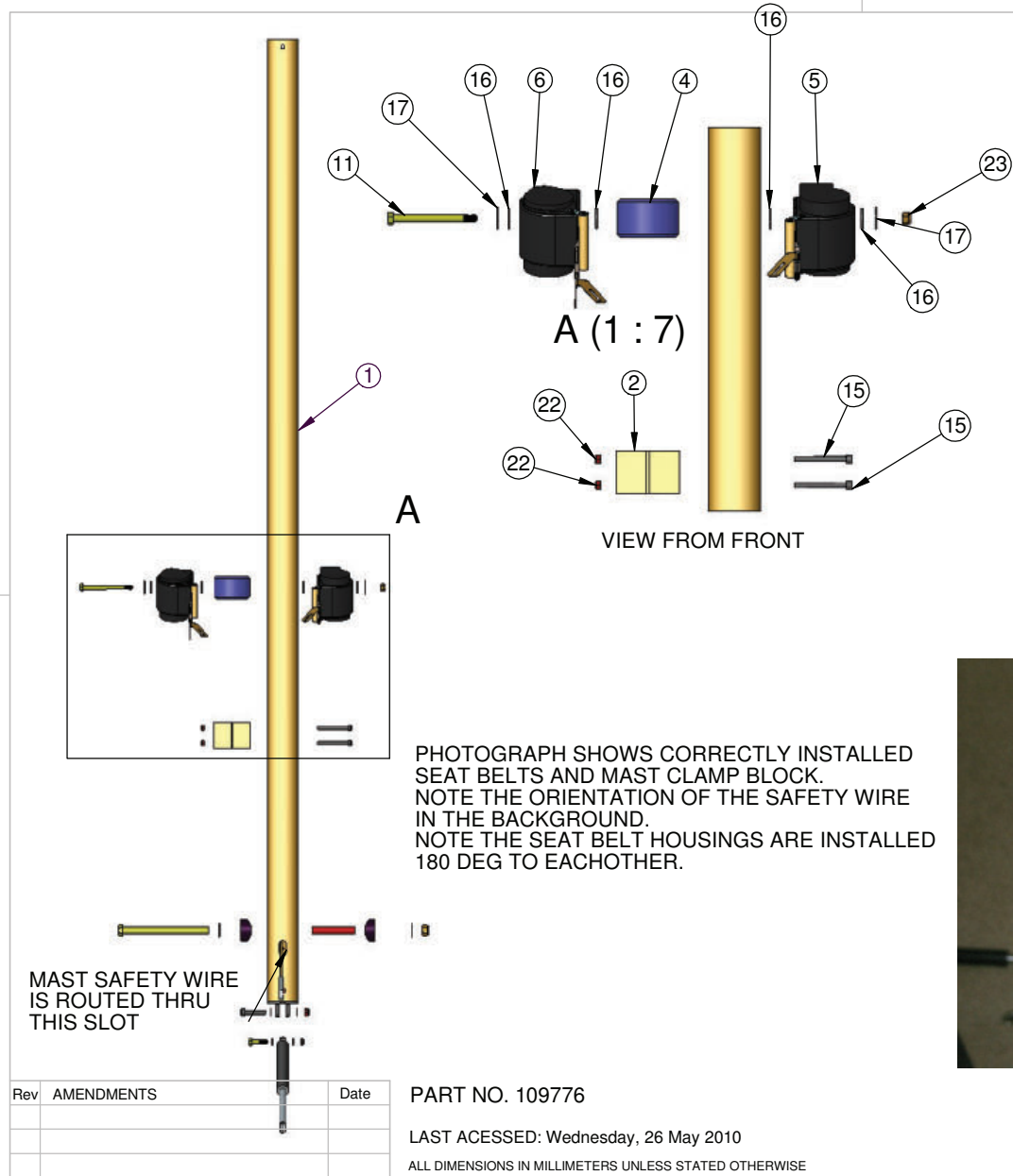
UPDATE GJP FORMS WITH REV CHANGE

Rev	AMENDMENTS	Date
1	DCR 2402 T SERIES DEV	30-07-09
2	DCR 2436 - 582 XT KIT (ASM SEQ)	27-04-10

PART NO. 109776 - 0

LAST ACESSED: Wednesday, 26 May 2010

ALL DIMENSIONS IN MILLIMETERS UNLESS STATED OTHERWISE



ITEM NO.	NAME	DWG	PART NO.	QTY.
1	MAST TUBE EDGE XT WITH INT SLEEVE TYPE 2	7859	109774	1
2	MAST CLAMP BLOCK XT (PLASTIC)	5270	104888	1
3	MAST BTM KNUCKLE XT	5262	104886	1
4	SHOULDER BELT MAST BLOCK XT	5380	105129	1
5	SEAT BELT SHLDR REAR XT TYPE 3 LHS -2	7623	109203	1
6	SEAT BELT SHLDR REAR XT TYPE 3 RHS -1	7624	109204	1
7	GAS STRUT 200MM BODY	5607	105149	1
8	MAST SADDLE EDGE XT	5303	104911	2
9	BUSH MAST PIVOT EDGE XT	2088	105425	1
10	BOLT 8.8 GR UNC 1/2X170MM MODIFIED	5661	105327	1
11	BOLT AN5-36A	5493	100026	1
12	BOLT AN5-11	5493	102743	1
13	BOLT AN4-26A	5450	100009	1
14	SKT CAP SCREW M 8 X 40 ZINC	5603	101519	1
15	SKT CAP SCREW M 6 X 60 SS	5603	101744	2
16	WASHER NYLON M 8 XOD	5540	100820	4
17	WASHER SS304 5/16 X 1IN X 16G	5540	100714	2
18	WASHER SS304 1/2 X 1IN	5540	100093	2
19	WASHER AN5	5540	100043	4
20	WASHER AN4	5540	100042	1
21	NUT NYLOC M 8 ZINC	5604	100915	1
22	NUT NYLOC M 6 ZINC	5604	102132	2
23	NUT NYLOC AN5 FULL	5535	100036	1
24	NUT NYLOC AN5 HALF	5561	100037	1
25	NUT NYLOC AN4 FULL	5535	100034	1
26	NUT NYLOC UNC 1/2IN ZINC	5535	101174	1
27	MAST SAFETY WIRE ASM XT TYPE 2 WITH CAP	7867	109812	1

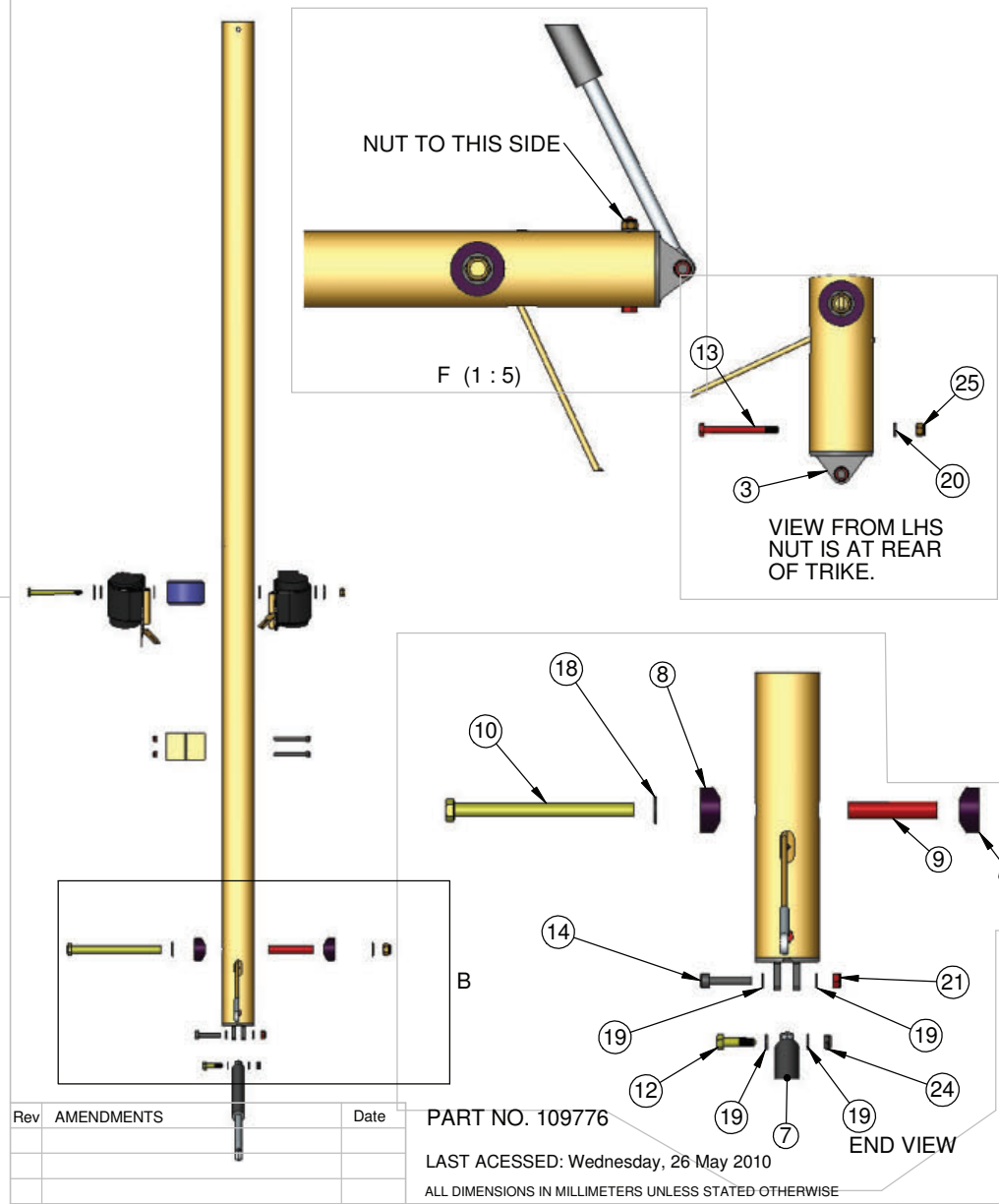


MAST TUBE VERT SUB ASM XT TYPE 2

Drawn By	Scale	Date
Stuie	1:12	30-07-09



7861
SHEET 2 of 3



ITEM NO.	NAME	DWG	PART NO.	QTY.
1	MAST TUBE EDGE XT WITH INT SLEEVE TYPE 2	7859	109774	1
2	MAST CLAMP BLOCK XT (PLASTIC)	5270	104888	1
3	MAST BTM KNUCKLE XT	5262	104886	1
4	SHOULDR BELT MAST BLOCK XT	5380	105129	1
5	SEAT BELT SHLDR REAR XT TYPE 3 LHS -2	7623	109203	1
6	SEAT BELT SHLDR REAR XT TYPE 3 RHS -1	7624	109204	1
7	GAS STRUT 200MM BODY	5607	105149	1
8	MAST SADDLE EDGE XT	5303	104911	2
9	BUSH MAST PIVOT EDGE XT	2088	105425	1
10	BOLT 8.8 GR UNC 1/2X170MM MODIFIED	5661	105327	1
11	BOLT AN5-36A	5493	100026	1
12	BOLT AN5-11	5493	102743	1
13	BOLT AN4-26A	5450	100009	1
14	SKT CAP SCREW M 8 X 40 ZINC	5603	101519	1
15	SKT CAP SCREW M 6 X 60 SS	5603	101744	2
16	WASHER NYLON M 8 XOD	5540	100820	4
17	WASHER SS304 5/16 X 1IN X 16G	5540	100714	2
18	WASHER SS304 1/2 X 1IN	5540	100093	2
19	WASHER AN5	5540	100043	4
20	WASHER AN4	5540	100042	1
21	NUT NYLOC M 8 ZINC	5604	100915	1
22	NUT NYLOC M 6 ZINC	5604	102132	2
23	NUT NYLOC AN5 FULL	5535	100036	1
24	NUT NYLOC AN5 HALF	5561	100037	1
25	NUT NYLOC AN4 FULL	5535	100034	1
26	NUT NYLOC UNC 1/2IN ZINC	5535	101174	1
27	MAST SAFETY WIRE ASM XT TYPE 2 WITH CAP	7867	109812	1

MAST SAFETY WIRE GOES THRU SLOT. MUST BE ROUTED BEFORE BUSH MAST PIVOT (105425) IS INSTALLED. BOTTOM MAST BUSH GOES THRU THE WIRES MIDDLE THIMBLE.

MAST TUBE VERT SUB ASM XT TYPE 2

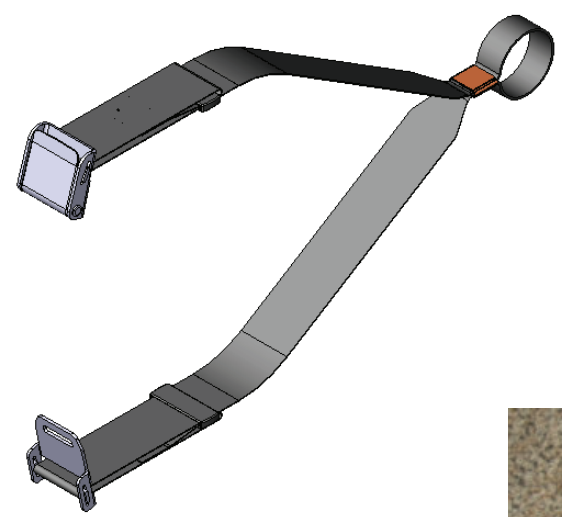
Drawn By	Scale	Date
Stuie	1:12	30-07-09



7861
SHEET 3 of 3

PART NO. 109776
LAST ACESSED: Wednesday, 26 May 2010
ALL DIMENSIONS IN MILLIMETERS UNLESS STATED OTHERWISE

ITEM NO.	NAME	DWG	PART NO.	QTY.
1	SEAT BELT LAP REAR XT ASM TYPE 3 409	7620	109200	1



COPIED FROM 5647

Rev	AMENDMENTS	Date
0		14/08/08

PART NO. 109200

LAST ACESSED: Wednesday, 26 May 2010
 ALL DIMENSIONS IN MILLIMETERS UNLESS STATED OTHERWISE

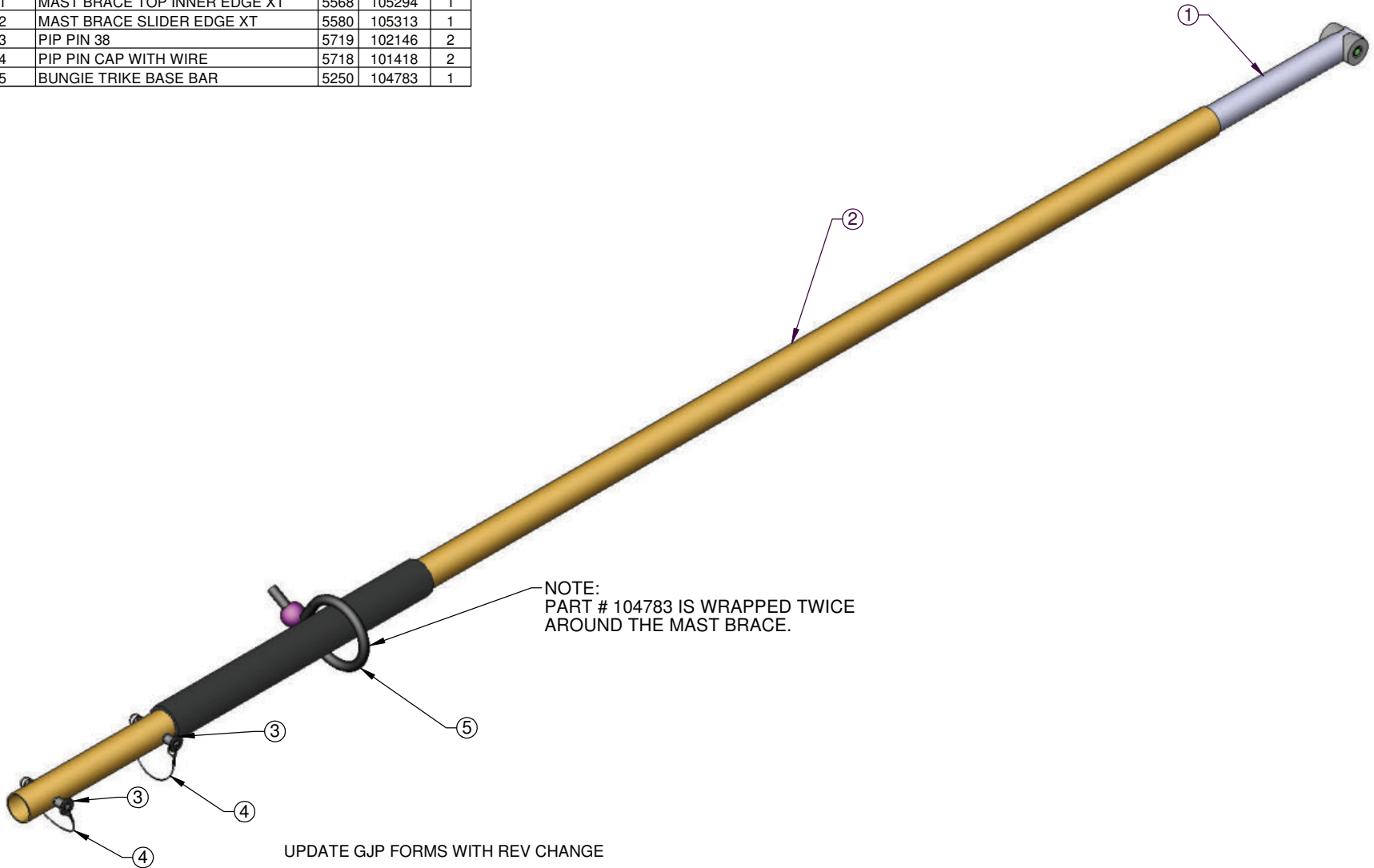
SEAT BELT LAP REAR XT ASM TYPE 3 409

Drawn By	Scale	Date
Scott B	NTS	14-08-08



7620
SHEET 1 of 1

ITEM NO.	NAME	DWG	PART NO.	QTY.
1	MAST BRACE TOP INNER EDGE XT	5568	105294	1
2	MAST BRACE SLIDER EDGE XT	5580	105313	1
3	PIP PIN 38	5719	102146	2
4	PIP PIN CAP WITH WIRE	5718	101418	2
5	BUNGIE TRIKE BASE BAR	5250	104783	1



Rev	AMENDMENTS	Date
1	DCR 2295, REFLECT MANUFACTURE	17-05-07

PART NO. 105499 -

LAST ACESSED: Wednesday, 26 May 2010

ALL DIMENSIONS IN MILLIMETERS UNLESS STATED OTHERWISE

FRNT POLE SUBASM XT

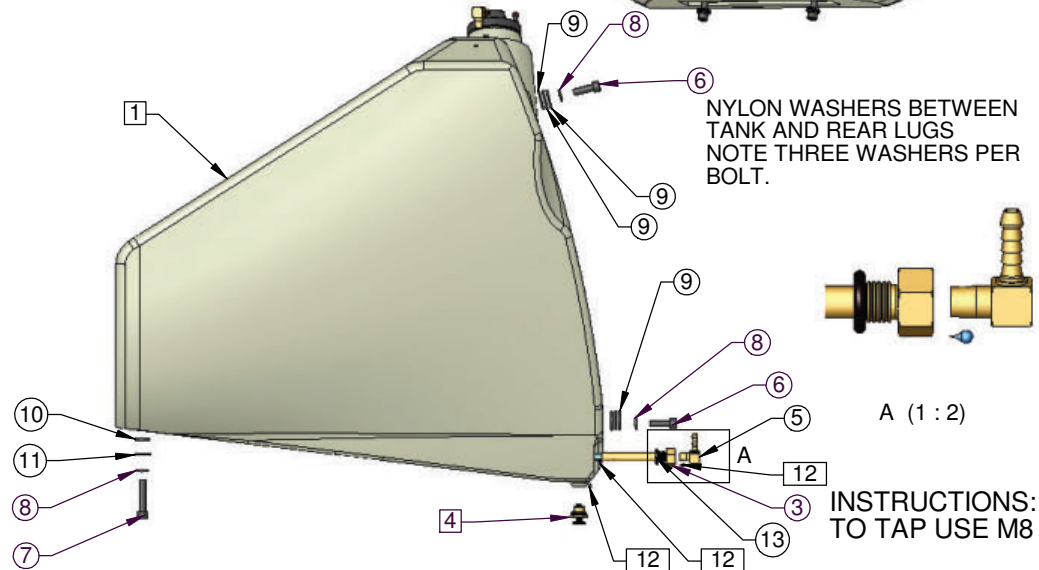
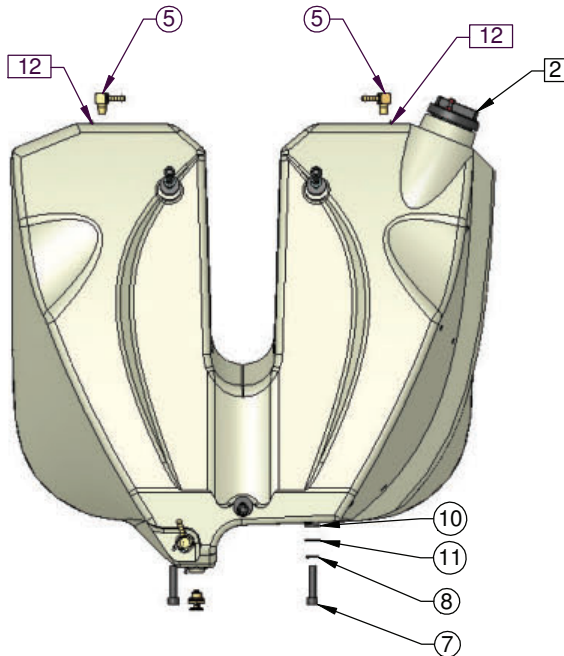
Drawn By	Scale	Date
Cris	1:5	03/06/03



5712
SHEET 1 of 2

ITEM NO.	NAME	DWG	PART NO.	QTY.
1	FUEL TANK POLYETHYLENE EDGE XT	5288	104910	1
2	FUEL CAP SUBASM XT	5700	105479	1
3	FUEL TANK FILTER-OUTLET ASM EDGE XT	5931	105753	1
4	DRAIN COCK ASM XT DETAIL	5705	105513	1
5	ELBOW TANK/SIGHT 1/8IN BSP BRASS	5528	100876	3
6	SKT CAP SCREW M 8 X 25 ZINC	5603	100980	3
7	SKT CAP SCREW M 8 X 40 ZINC	5603	101519	2
8	SPRING WASHER 8 mm ZINC	5679	101366	5
9	WASHER NYLON M 8 XOD	5540	100820	9
10	WASHER NYLON M 8 STND	5540	100595	2
11	WASHER SS 304 5/16 X 3/4IN	5540	102332	2
12	LOCTITE 567 WHITE THREAD SEALANT	5637	103705	5
13	O-RING FUEL TANK	5932	103181	1

MASS OF TANK AND FUEL
SEE ENG RPT 03/61/DS



BOM IS THE SAME FOR BOTH PARTS
PART NO. 105729 - FUEL TANK SUBASM EDGE XT
PART NO. 110069 - FUEL TANK SUBKIT EDGE XT

UPDATE GJP FORMS WITH REV CHANGE

Rev	AMENDMENTS	Date
1	WASHERS AND BOLTS CHANGE	22/03/04
2	DCR 2209, MOVE PARTS FROM 5931	24-01-06
3	DCR 2436 - 582 XT KIT	26-02-10

LAST ACESSED: Wednesday, 26 May 2010
ALL DIMENSIONS IN MILLIMETERS UNLESS STATED OTHERWISE

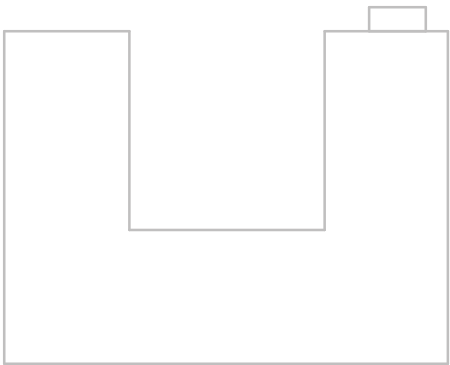
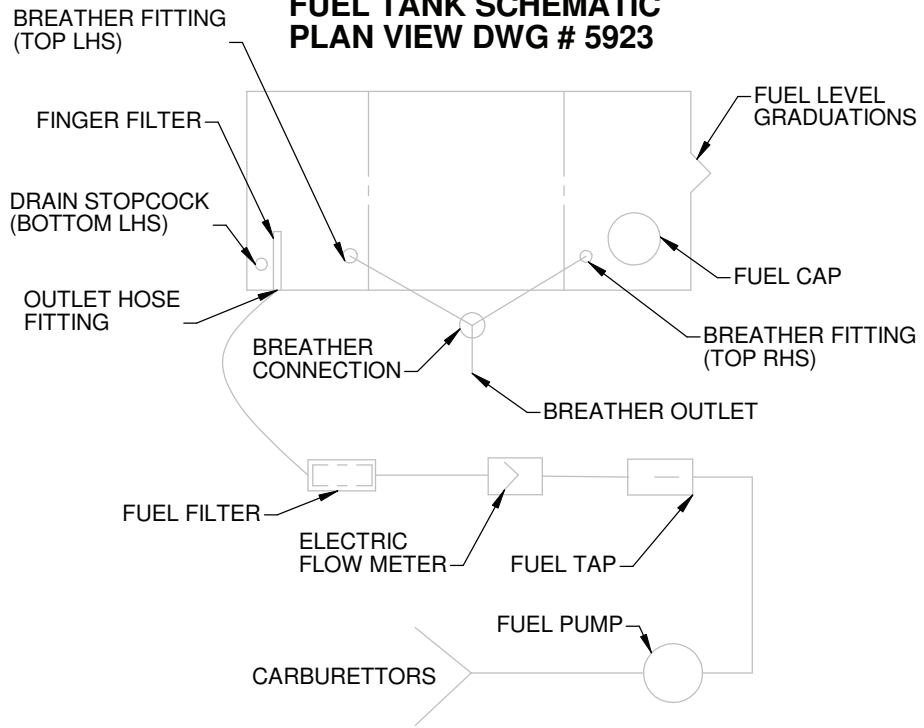
FUEL TANK SUBASM EDGE XT

Drawn By	Scale	Date
Cris	1:8	30/07/03



5923
SHEET 1 of 2

**FUEL TANK SCHEMATIC
PLAN VIEW DWG # 5923**



Rev	AMENDMENTS	Date

PART NO.

LAST ACESSED: Wednesday, 26 May 2010

ALL DIMENSIONS IN MILLIMETERS UNLESS STATED OTHERWISE

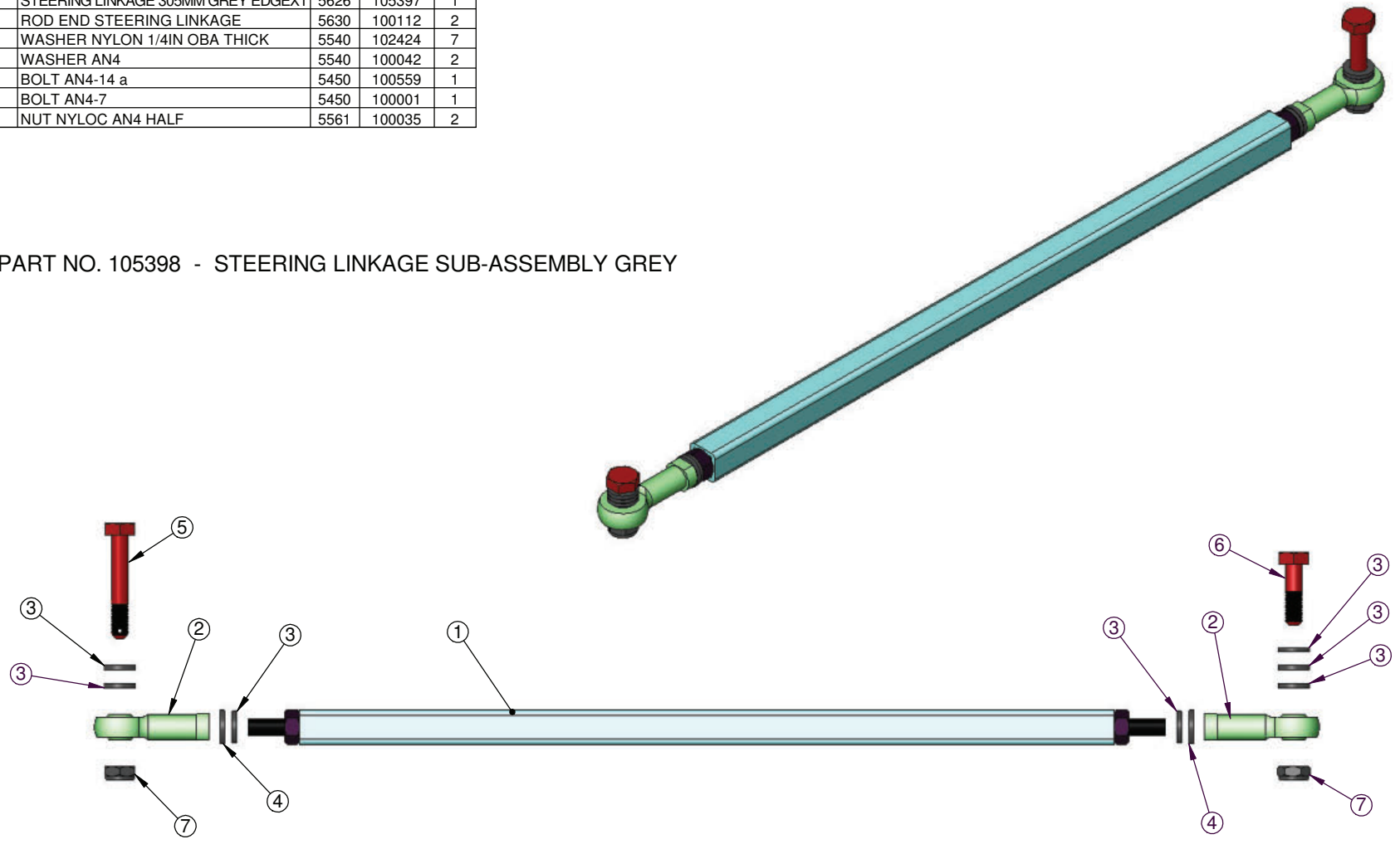
Drawn By	Scale	Date
Simon	1:8	02/03/03



5923
SHEET 2 of 2

ITEM NO.	NAME	DWG	PART NO.	QTY.
1	STEERING LINKAGE 305MM GREY EDGEXT	5626	105397	1
2	ROD END STEERING LINKAGE	5630	100112	2
3	WASHER NYLON 1/4IN OBA THICK	5540	102424	7
4	WASHER AN4	5540	100042	2
5	BOLT AN4-14 a	5450	100559	1
6	BOLT AN4-7	5450	100001	1
7	NUT NYLOC AN4 HALF	5561	100035	2

PART NO. 105398 - STEERING LINKAGE SUB-ASSEMBLY GREY



UPDATE GJP FORMS WITH REV CHANGE

Rev	AMENDMENTS	Date

LAST ACESSED: Wednesday, 26 May 2010
 ALL DIMENSIONS IN MILLIMETERS UNLESS STATED OTHERWISE

STEERING LINKAGE SUB ASSEMBLY

Drawn By	Scale	Date
Cris	1:2	13/05/03



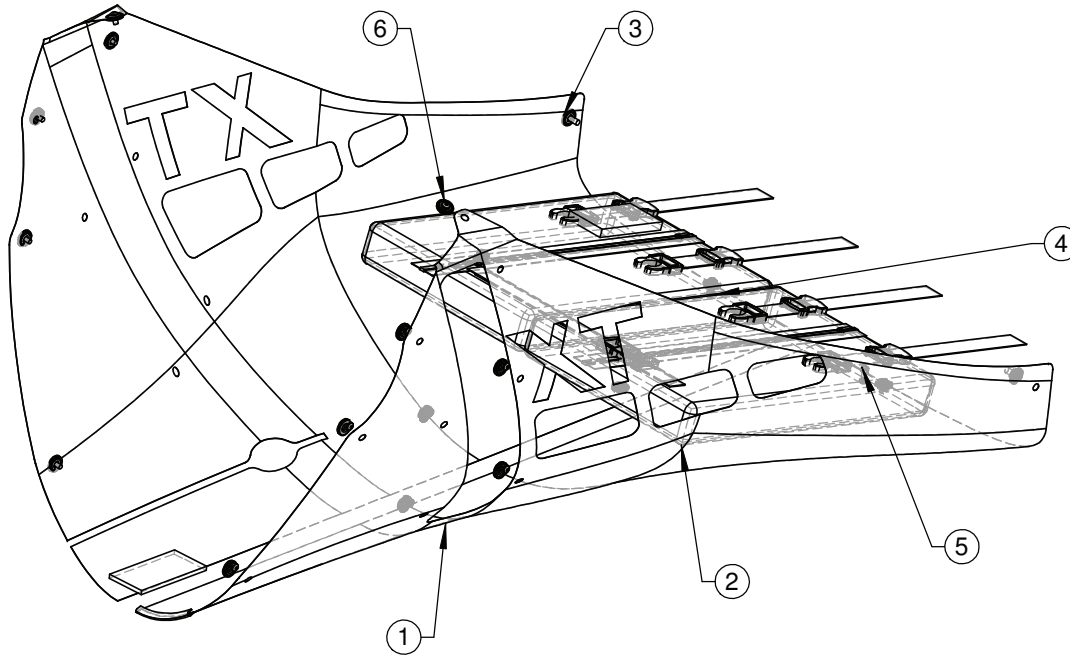
5627
 SHEET 1 of 1

4 SOFT SIDE ASM

- Drawing # 6225

ITEM NO.	NAME	DWG	PART NO.	QTY.
1	SOFT SIDES EDGE XT SILVER STANDARD	6224	105849	1
2	SEAT BAG ASM XT	5505	106348	1
3	SKT BUTTON SCREW M6 X 16 SS304	5677	101752	2
4	SKT BUTTON SCREW M5 X 16 SS 304	5677	103182	2
5	NUT NYLOC M 5 ZINC	5604	101365	2
6	SKT BUTTON SCREW M5 X 10 SS 304	5677	106172	14

NOTE:
THE SEAT PART# 105848 IS ASSEMBLED
ON DWG # 5634 IN ACCORDANCE WITH
BUILD SEQUENCE.



Rev	AMENDMENTS	Date
1	DCR 2212, MOVE SEAT TO 5634	25-01-06
2	DCR 2268, MOVE 105409 TO 5564	03-10-06
3	DCR 2283, ASM RESTRUCT, RENAME	06-12-06

PART NO. 105850

LAST ACESSED: Wednesday, 26 May 2010
ALL DIMENSIONS IN MILLIMETERS UNLESS STATED OTHERWISE

SOFT SIDE ASM XT STD

Drawn By	Scale	Date
Cris	1:7	29-08-03



6225
SHEET 1 of 1

5 ELECTRICAL WIRING

- **Drawing # 6837**

5.1 Please read the note on the drawing for the new location of wires.

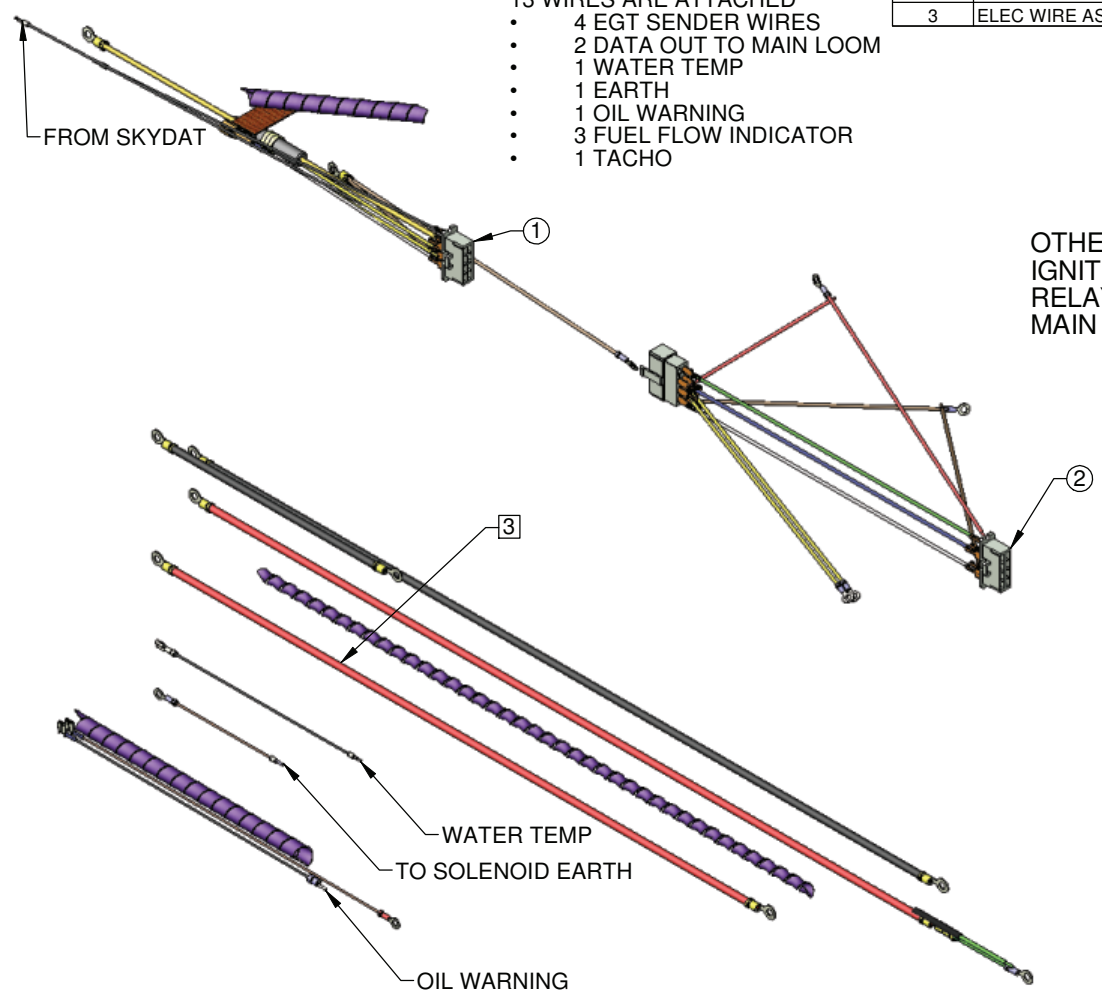
5.2 Regulator Subasm XT

- *Drawing # 6813*

ITEM NO.	NAME	DWG	PART NO.	QTY.
1	ELEC WIRE LOOM PLUG TO ENGINE XT582	6814	107193	1
2	ELEC WIRE LOOM REG XT582	6813	107192	1
3	ELEC WIRE ASM MISC SUBASM XT-582	6818	107203	1

- SKYDAT DATABOX:
13 WIRES ARE ATTACHED
- 4 EGT SENDER WIRES
 - 2 DATA OUT TO MAIN LOOM
 - 1 WATER TEMP
 - 1 EARTH
 - 1 OIL WARNING
 - 3 FUEL FLOW INDICATOR
 - 1 TACHO

OTHER ELECTRICAL COMPONENTS:
IGNITION SWITCH, DWG 6241
RELAY WIRING, DWG 6541
MAIN LOOM, DWG # 7334

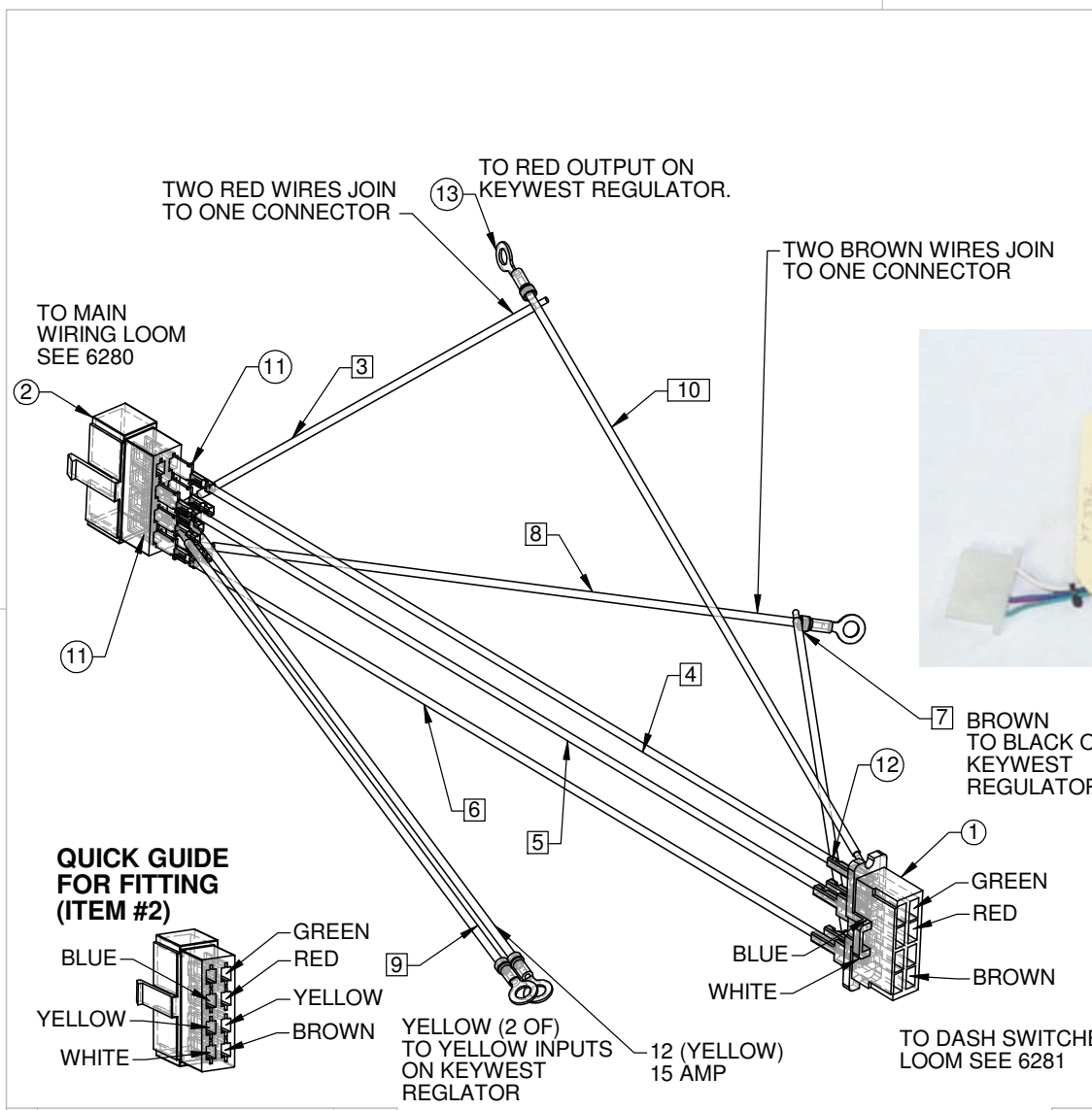


PART NO. 107220 - ELEC WIRING ASM XT-582
PART NO. 110058 - ELEC WIRING SUBKIT 1 XT582 (SHEET 2)
PART NO. 110067 - ELEC WIRING SUBKIT 2 XT582 (SHEET 2)

LAST ACESSED: Wednesday, 26 May 2010
ALL DIMENSIONS IN MILLIMETERS UNLESS STATED OTHERWISE

Rev	AMENDMENTS	Date
1	DCR 2282, MOVE WIRES TO DASH ASM	30-11-06
2	DCR 2283, MASTER RESTRUCTURE	12-12-06
3	dDCR 2436 - 582 XT KIT	05-03-10

ELEC WIRING ASM XT-582			6837 SHEET 1 of 2
Drawn By	Scale	Date	
Simon	1:5	02-06-05	



ITEM NO.	NAME	DWG	PART NO.	QTY.
1	CONNECTOR 8 PIN WHITE - PLUG	6230	103127	1
2	CONNECTOR 8 PIN WHITE - SOCKET	6231	103128	1
3	WIRE RED 1.13mm ² x 145	6270	105907	1
4	WIRE GREEN 1.13mm ² x 330	6270	105916	1
5	WIRE BLUE 1.13mm ² x 330	6270	105915	1
6	WIRE WHITE 1.13mm ² x 330	6270	105923	1
7	WIRE BROWN 1.13mm ² x 300	6270	105928	1
8	WIRE BROWN 1.13mm ² x 220	6270	105927	1
9	WIRE YELLOW 1.84mm ² x 260	6270	105919	2
10	WIRE RED 1.13mm ² x 270	6270	105908	1
11	TERMINAL CONTACT TAB TIN	6229	103120	7
12	TERMINAL CONTACT RECEPTACLE TIN	6228	103119	5
13	CONNECTOR BLUE 5MM HOLE	6251	103847	4

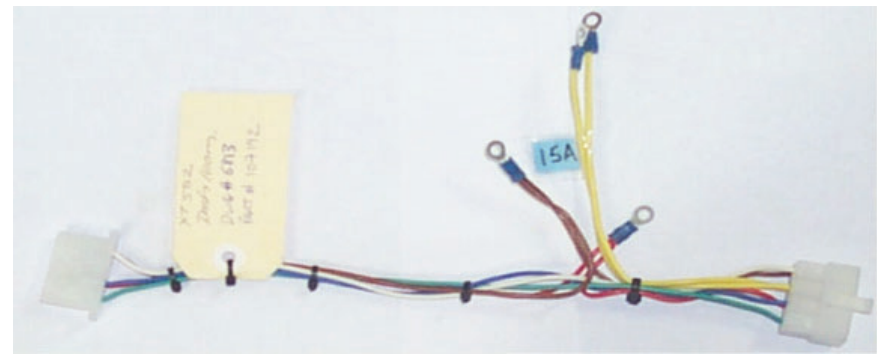


PHOTO OF SAMPLE

WIRES THAT PASS STRAIGHT THROUGH
 GREEN
 BLUE
 WHITE

Rev	AMENDMENTS	Date
1	REGULATOR WIRE CHANGED TO 15A	06-09-04

PART NO. 107192 - 0

LAST ACESSED: Wednesday, 26 May 2010
 ALL DIMENSIONS IN MILLIMETERS UNLESS STATED OTHERWISE

ELEC WIRE LOOM REG XT582

Drawn By	Scale	Date
Cris	1:2	10/09/03



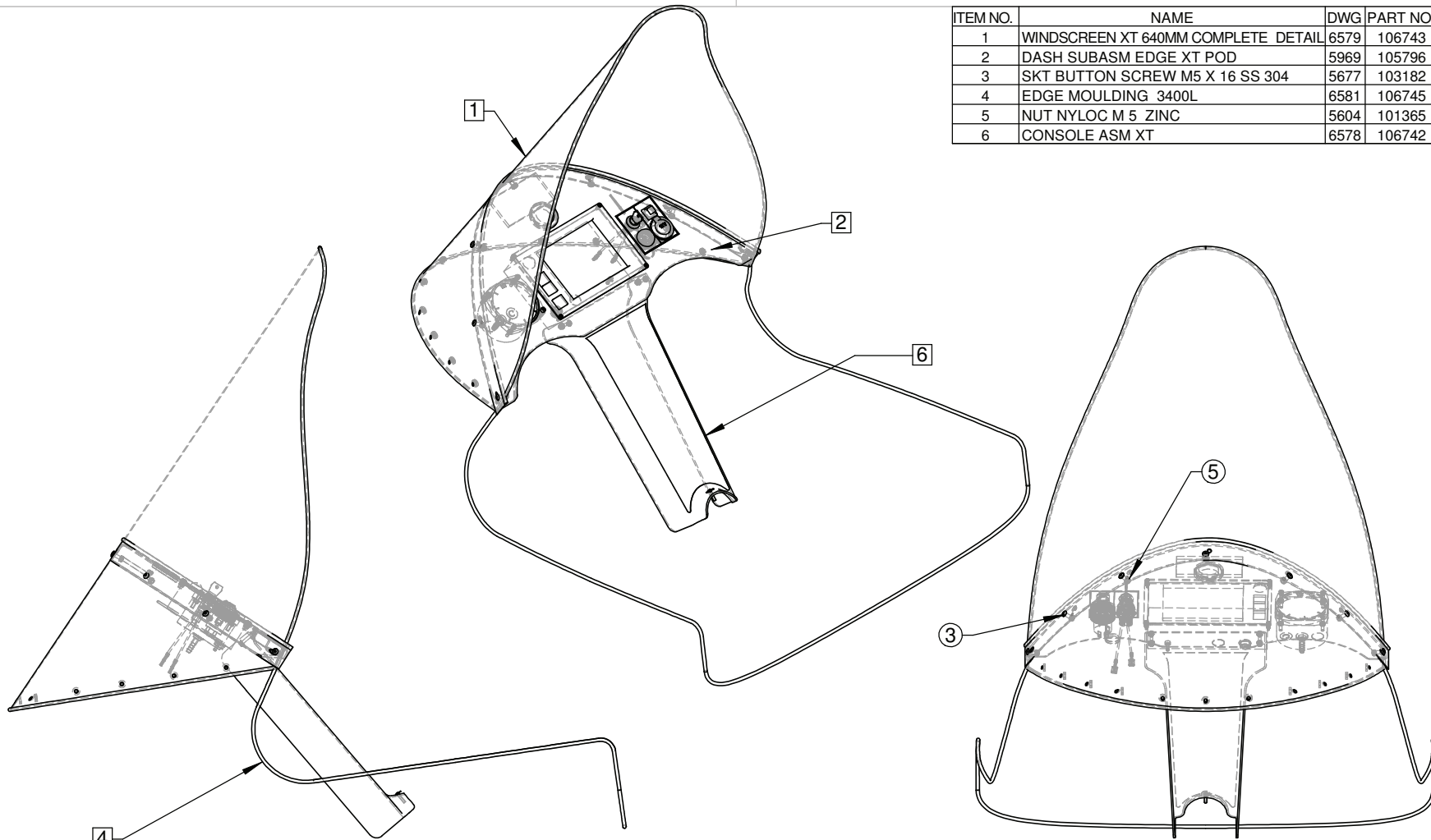
6813 SHEET 1 of 1

6 WINDSCREEN / DASH SUBASM

- 6.1 Windscreen Complete XT*
- 6.2 Dash Subasm Edge XT Pod*
- 6.3 Console Asm*

- **Drawing # 6899**
- *Drawing # 6579*
- *Drawing # 5969*
- *Drawing # 6578*

ITEM NO.	NAME	DWG	PART NO.	QTY.
1	WINDSCREEN XT 640MM COMPLETE DETAIL	6579	106743	1
2	DASH SUBASM EDGE XT POD	5969	105796	1
3	SKT BUTTON SCREW M5 X 16 SS 304	5677	103182	8
4	EDGE MouldING 3400L	6581	106745	1
5	NUT NYLOC M 5 ZINC	5604	101365	8
6	CONSOLE ASM XT	6578	106742	1



NOTE:
 ITEM # 4 : THE EDGE MouldING IS SHOWN IN ASSEMBLED SHAPE.
 SUPPLIED IN KIT UNASSEMBLED, AND NOT CUT TO LENGTH.

Rev	AMENDMENTS	Date
1	DCR 2203, CREATED TO REFLECT MANU.	20-01-06

PART NO. 107514

LAST ACESSED: Wednesday, 26 May 2010
 ALL DIMENSIONS IN MILLIMETERS UNLESS STATED OTHERWISE

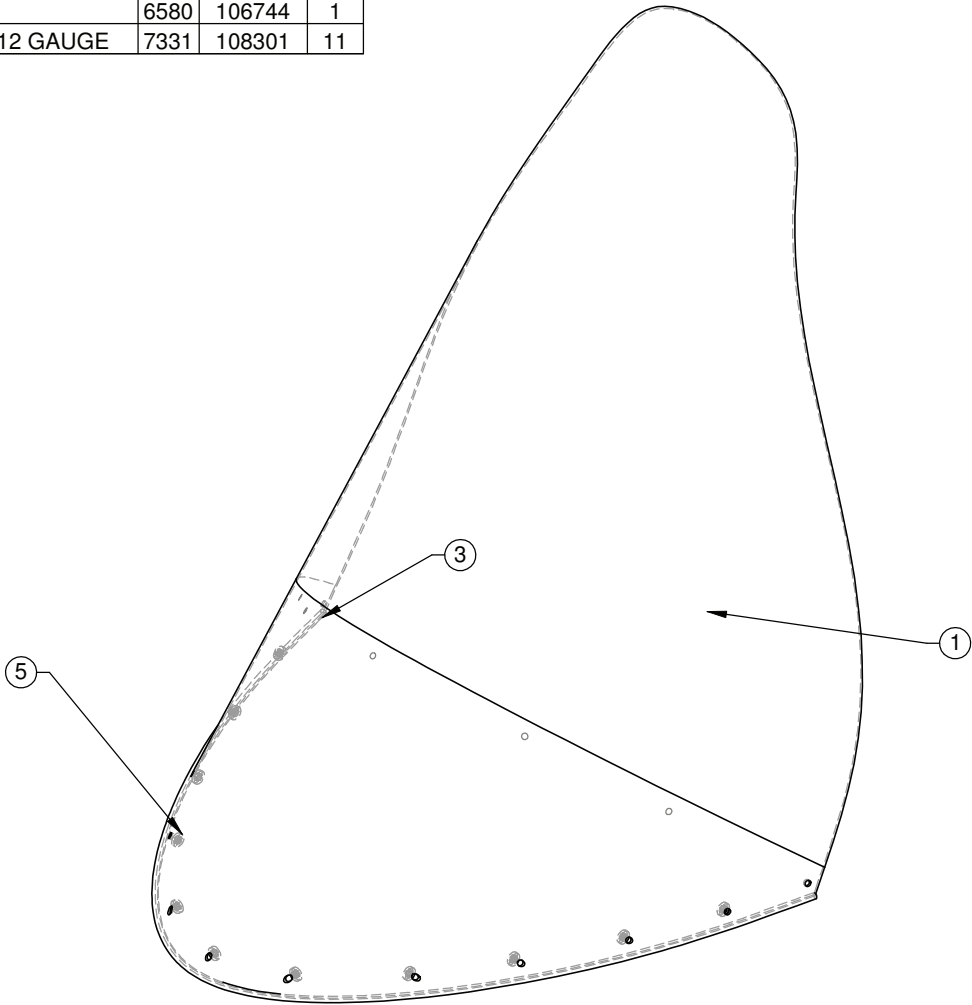
WINDSCREEN / DASH SUB ASM XT

Drawn By	Scale	Date
Simon	1:8	20-01-06



6899
 SHEET 1 of 1

ITEM NO.	NAME	DWG	PART NO.	QTY.
1	WINDSCREEN XT 640MM PAINTED	5964	105793	1
3	EDGE MOULDING 1100L	6580	106744	1
5	WASHER NEOPRENE SEAL 12 GAUGE	7331	108301	11



Rev	AMENDMENTS	Date
1	DCR 2243 SEAMSTICK ADDED TO BOM	26/04/06
2	DCR 2382 WASHER CHANGE	04/08/08

PART NO. 106743 -

LAST ACESSED: Wednesday, 26 May 2010

ALL DIMENSIONS IN MILLIMETERS UNLESS STATED OTHERWISE

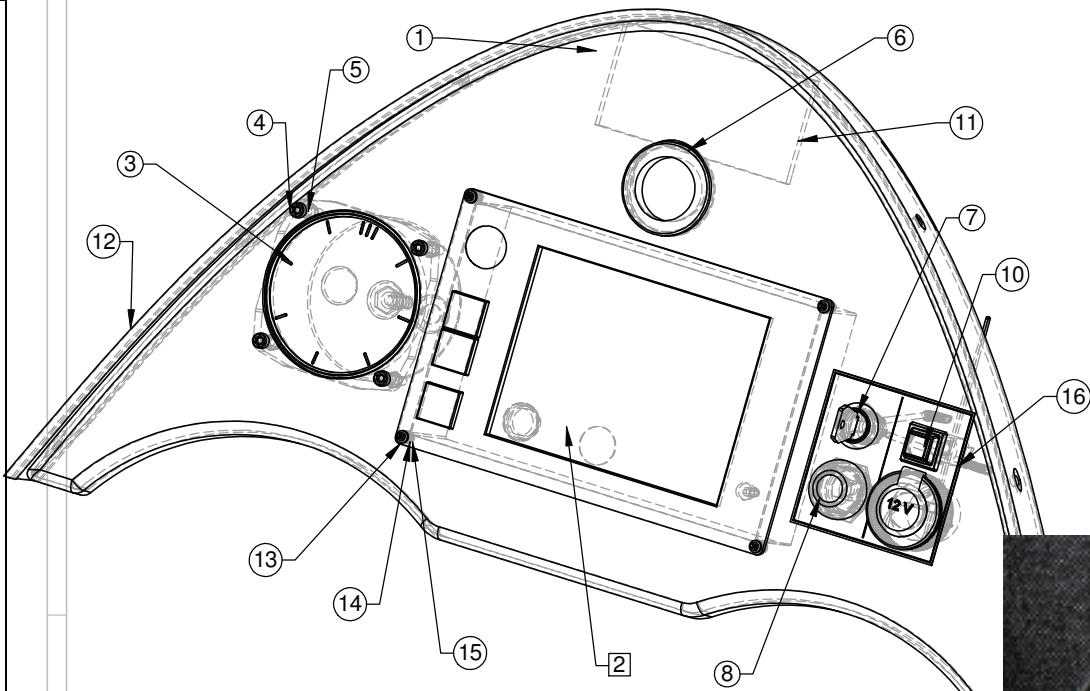


WINDSCREEN XT 640MM COMPLETE DETAIL

Drawn By	Scale	Date
Cris	1:5	16/11/04

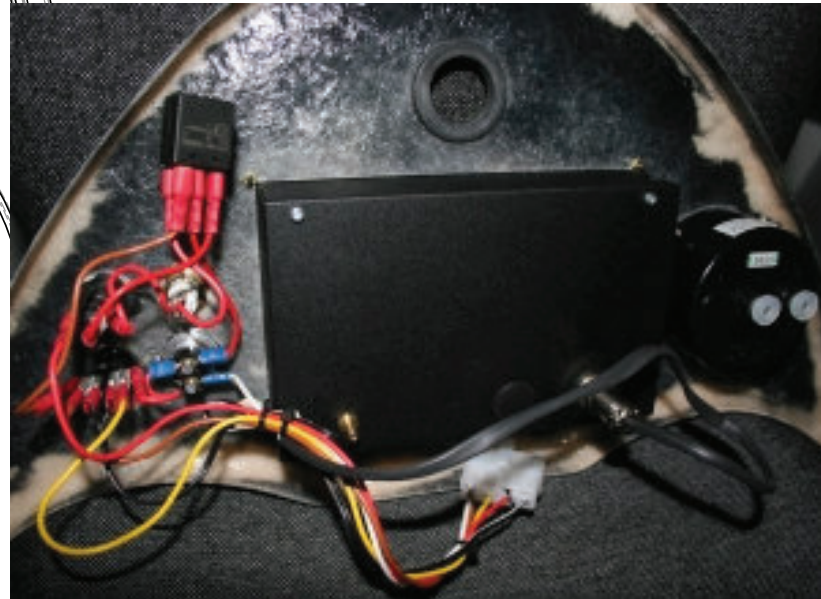


6579
SHEET 1 of 1



ITEM NO.	NAME	DWG	PART NO.	QTY.
1	DASH DRILLED XT	5968	105795	1
2	AMPTRONIC COMPUTER SCREEN	5971	105797	1
3	ASI 0-100 KTS 3.25IN	5972	300019	1
4	SKT CAP SCREW M 4 X 25 SS	5603	100923	4
5	NUT NYLOC M 4 ZINC	5604	100911	4
6	GROMMET RUBBER 40X30MM	5974	100903	1
7	SWITCH KEY WITH WIRES	6241	106760	1
8	BUTTON PUSH W/PROOF	6242	103849	1
9	SOCKET OUTLET DC CAR LIGHTER	7563	109007	1
10	BREAKER CIRCUIT 10AMP	6244	103888	1
11	SEAMSTICK 18MM	6565	106642	1
12	PIPING 6MM DASH CUT AND PUNCHED	6566	106676	1
13	SCREW M3X12 PHILIPS HEAD	6591	106783	4
14	WASHER STAR M3	6592	106784	4
15	NUT NYLOC M 3 SS	5604	104306	4
16	PLACARD MASTER SWITCH EDGEXT BLACK	5900	105715	1
17	HOSE BUSH 6ID X 10L	5726	106720	1
18	ELEC WIRE LOOM DASH SWITCH XT	6281	105950	1
19	ELEC WIRE LOOM MAIN SWITCH RELAY	6541	106630	1
20	CABLE TIE (MEDIUM) 140MM	5605	101193	1

NOTE:
WIRING LOOMS ARE NOT SHOWN
ON THE DRAWING.



Rev	AMENDMENTS	Date
6	DCR 2305, ADD 103073	08-06-07
7	ADDED PHOTOGRAPH REAR DASH	18/06/07
8	DCR 2344 - CHG DC SOCKET RMVE PLUG	24-01-08
9	DCR 2381 MOVE VNE PLACARD TO CERT KITS	05-08-08

PART NO. 105796 -

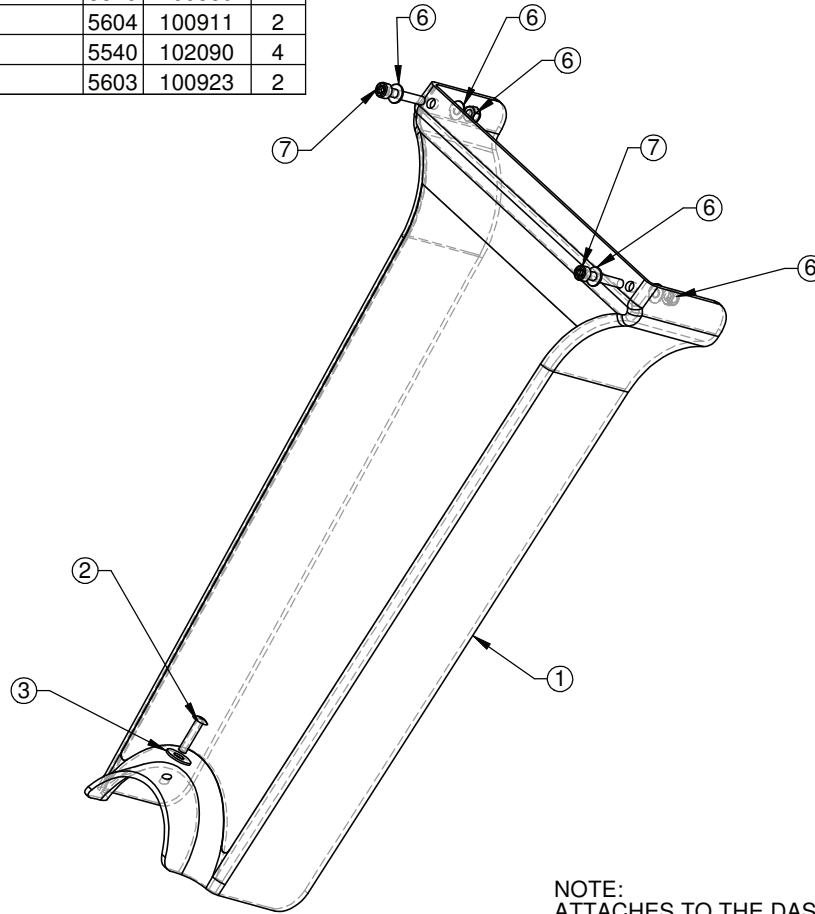
LAST ACESSED: Wednesday, 26 May 2010

ALL DIMENSIONS IN MILLIMETERS UNLESS STATED OTHERWISE

DASH SUBASM EDGE XT POD

SolidWorks	Drawn By	Scale	Date	AirBorne AUSTRALIA	5969
	Cris	1:3	02/09/03		

ITEM NO.	NAME	DWG	PART NO.	QTY
1	CONSOLE EDGE X/XT F/GLASS	5756	103856	1
2	POP RIVET 5/32 LONG(5-8)	5515	102417	1
3	WASHER SS304 3/16 X 1/2IN	5540	100569	1
5	NUT NYLOC M 4 ZINC	5604	100911	2
6	WASHER SS M 4 STND	5540	102090	4
7	SKT CAP SCREW M 4 X 25 SS	5603	100923	2



NOTE:
 ATTACHES TO THE DASH.
 ASSEMBLY SEQUENCE IS:
 BOLT, WASHER, DASH, CONSOLE, WASHER, NUT.

Rev	AMENDMENTS	Date
1	DCR 2215, CHNG WASHER TO REFLECT BUILD	01-02-06
2	DCR 2308, ADD WASHER TO REFL BUILD	20-06-07

PART NO. 106742 -

LAST ACESSED: Wednesday, 26 May 2010

ALL DIMENSIONS IN MILLIMETERS UNLESS STATED OTHERWISE

CONSOLE ASM XT

Drawn By	Scale	Date
Cris	1:3	16/11/04

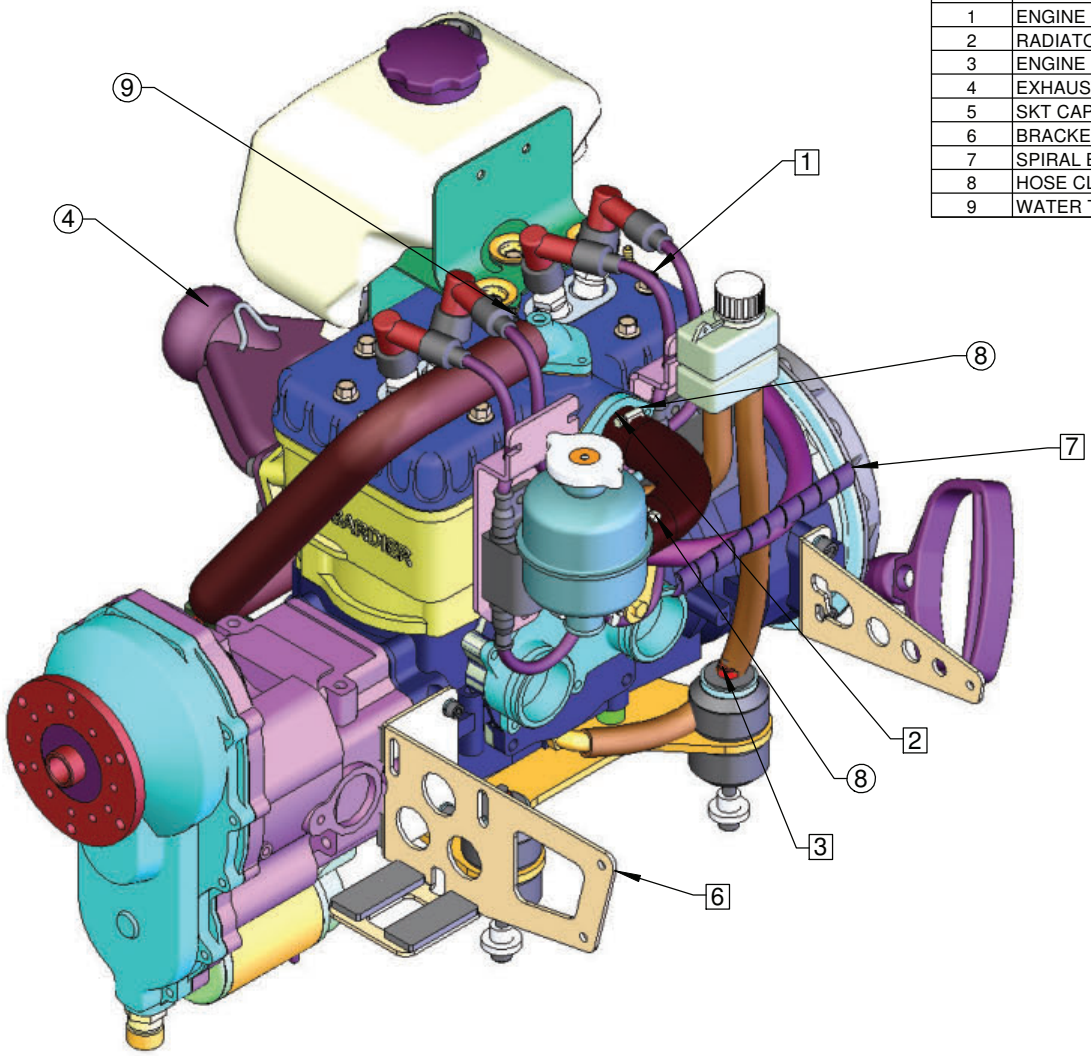


6578
 SHEET 1 of 1

7 ENGINE XT-582 FOR ASM

- **Drawing # 6905**

ITEM NO.	NAME	DWG	PART NO.	QTY.
1	ENGINE 582XT ROTAX WIP	6359	107577	1
2	RADIATOR HOSE XT-582 ENG TO HEADER	6718	106912	1
3	ENGINE MOUNT ISOLATION ASM XT-582	6739	106993	1
4	EXHAUST MANIFOLD CERAMIC 582	6634	106824	1
5	SKT CAP SCREW M 8 X 20 MODIFIED	5603	107394	2
6	BRACKET INTAKE SILENCER ASM XT582	6830	107214	1
7	SPIRAL BINDING 12D X 150L	6524	106721	1
8	HOSE CLAMP 25MM HS016P	5887	100357	2
9	WATER TEMPERATURE SENDER AMPTRONIC	5567	105287	1



PART NO. 107583 - ENGINE 582XT FOR TRIKE BASE ASM
 PART NO. 110056 - ENGINE SUBKIT 582XT (SHEET 2)

LAST ACESSED: Wednesday, 26 May 2010
 ALL DIMENSIONS IN MILLIMETERS UNLESS STATED OTHERWISE

Rev	AMENDMENTS	Date
1	DCR 2218, 582XT ENGINE RESTRUCTURING	15-02-06
2	DCR 2378 ADD 107583	28-07-08
3	DCR 2436 - 582 XT KIT	04-03-10

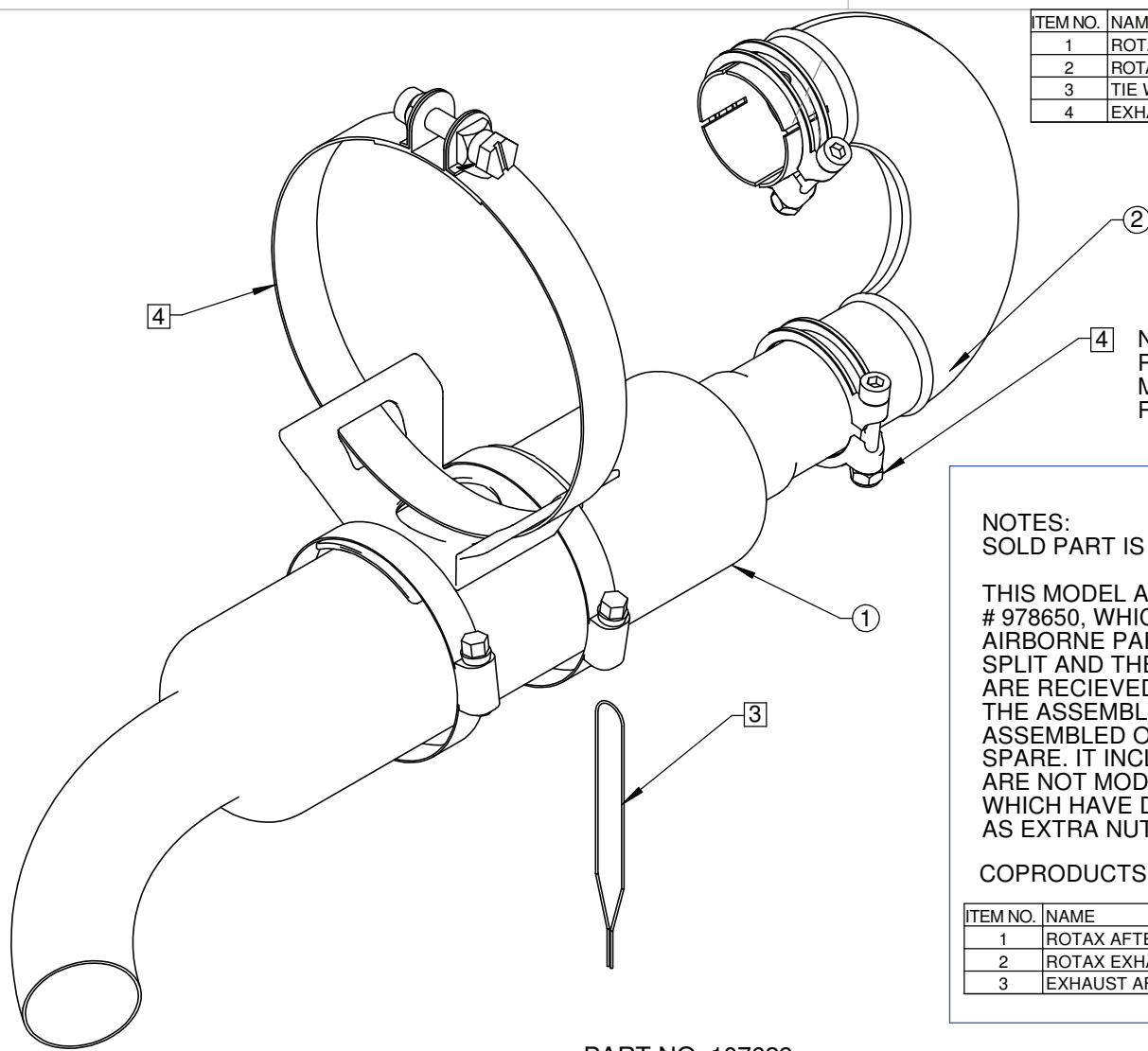
ENGINE 582XT FOR TRIKE BASE ASM

Drawn By	Scale	Date
Simon	1:4	30-01-06



6905
 SHEET 1 of 2

8 EXHAUST AFTER SILENCER ASM - Drawing # 6916



ITEM NO.	NAME	DWG	PART NO.	QTY.
1	ROTAX AFTER MUFFLER CERAMIC COATED	6912	107625	1
2	ROTAX ELBOW AFTERSILENCER CERAMIC COATED	6911	107623	1
3	TIE WIRE - 200 L	6372	106264	1
4	EXHAUST AFTER SILENCER MOUNT KIT	6917	107631	1

NOTE: THE SQUARE NUTS, ROTAX PART # 942991, ARE REPLACED WITH M6 NYLOC NUTS, AIRBORNE #102132, REFER DWG #6917.

NOTES:
 SOLD PART IS #107629, PART USED IN EM'S IS #109359.

THIS MODEL ALSO REPRESENTS ROTAX PART # 978650, WHICH IS PURCHASED FROM ROTAX AS AIRBORNE PART # 102133. THIS ASSEMBLY IS THEN SPLIT AND THE COPRODUCTS LISTED BELOW ARE RECEIVED INTO INVENTORY.

THE ASSEMBLY LIST ABOVE (PART # 107629) IS AS ASSEMBLED ONTO A TRIKE OR AS SOLD AS A SPARE. IT INCLUDES THE PARTS RECEIVED WHICH ARE NOT MODIFIED, CERAMIC COATED ITEMS WHICH HAVE DIFFERENT PART NUMBERS AS WELL AS EXTRA NUTS AND TIE WIRE FROM INVENTORY.

COPRODUCTS RECEIVED WITH PART #102133 ARE:

ITEM NO.	NAME	DWG	PART NO.	QTY.
1	ROTAX AFTER MUFFLER WIP	6912	107624	1
2	ROTAX EXHAUST AFTERSILENCER U-PIPE	6911	102427	1
3	EXHAUST AFTER SILENCER MOUNT KIT	6917	107631	1

PART NO. 107629
 109359

Rev	AMENDMENTS	Date
1	DCR 2346 - AMMEND TIE WIRE	06-02-08
2	DCR 2379 REMODEL AFTER SILENCER MOUNT	29-07-08

LAST ACESSED: Wednesday, 26 May 2010
 ALL DIMENSIONS IN MILLIMETERS UNLESS STATED OTHERWISE

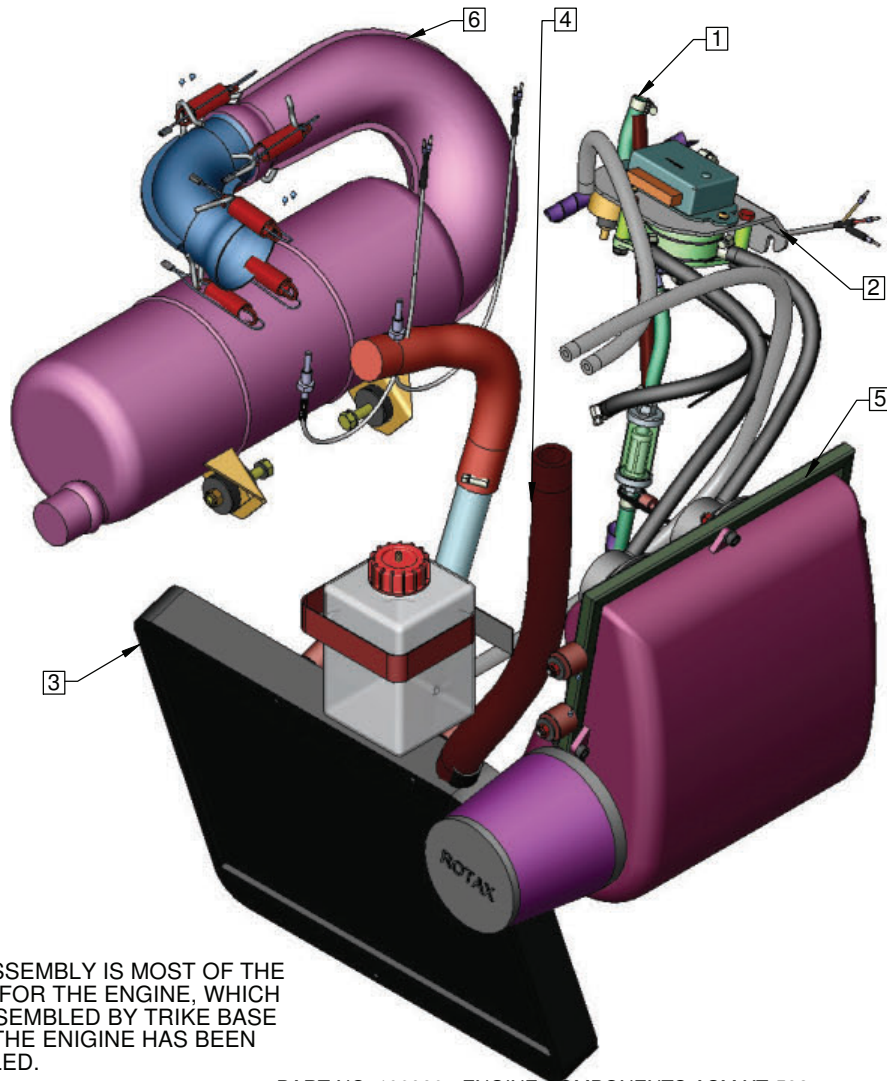
EXHAUST AFTER SILENCER ASM

Drawn By	Scale	Date
Simon	1:2	16-03-06



6916
 SHEET 1 of 1

9 ENGINE COMPONENTS ASM	- Drawing # 6733
9.1 Fuel Hose Asm	- Drawing # 6741
9.2 Radiator Hose Asm	- Drawing # 6678
9.3 Radiator Asm	- Drawing # 6700
9.4 Fuel Pump Mount Asm	- Drawing # 6740
9.5 Intake Silencer Asm	- Drawing # 6675
9.6 Exhaust Asm	- Drawing # 6710



NOTE:
THIS ASSEMBLY IS MOST OF THE PARTS FOR THE ENGINE, WHICH ARE ASSEMBLED BY TRIKE BASE AFTER THE ENGINE HAS BEEN INSTALLED.

PART NO. 106986 - ENGINE COMPONENTS ASM XT-582
PART NO. 110060 - ENGINE COMPONENTS SUBKIT 1 XT-582 (SHEET 2)

Rev	AMENDMENTS	Date
2	DCR 2218, 582XT ENGINE RESTRUCTURING	15-02-06
3	DCR 2314 - ADD COVER	16-07-07
4	DCR 2436 - 582 XT KIT	05-03-10

LAST ACESSED: Wednesday, 26 May 2010
ALL DIMENSIONS IN MILLIMETERS UNLESS STATED OTHERWISE

ITEM NO.	NAME	DWG	PART NO.	QTY.
1	FUEL HOSE ASM XT-582	6741	106996	1
2	FUEL PUMP MOUNT ASM XT-582	6740	106995	1
3	RADIATOR ASM XT-582	6700	106937	1
4	RADIATOR HOSES ASM XT-582	6678	106868	1
5	ENGINE 582 INTAKE SILENCER ASM	6675	106865	1
6	EXHAUST ASM XT-582	6710	106822	1
7	EXHAUST MOUNT RUBBER	4152	101368	4
8	BOLT AN5-22A	5493	100017	2
9	WASHER AN5	5540	100043	2
10	WASHER SS304 5/16 X 1-1/4	5540	100045	4
11	NUT NYLOC AN5 FULL	5535	100036	2
12	COVER AIR FILTER SILENCER 582	4798	108695	1

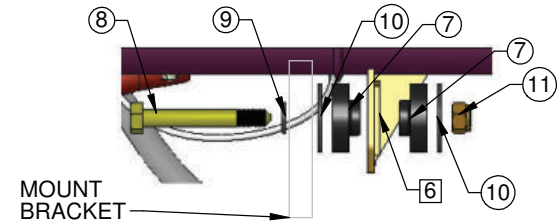
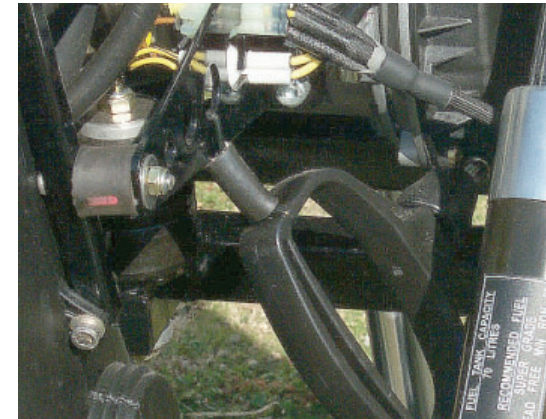


PHOTO SHOWS FUEL HOSE SPACER ON THE PULL START.
DETAIL A: SHOWS THE COMPONENTS WHICH MOUNT THE MUFFLER ON TO THE ENGINE MOUNT ASSEMBLY.
A (1 : 3)

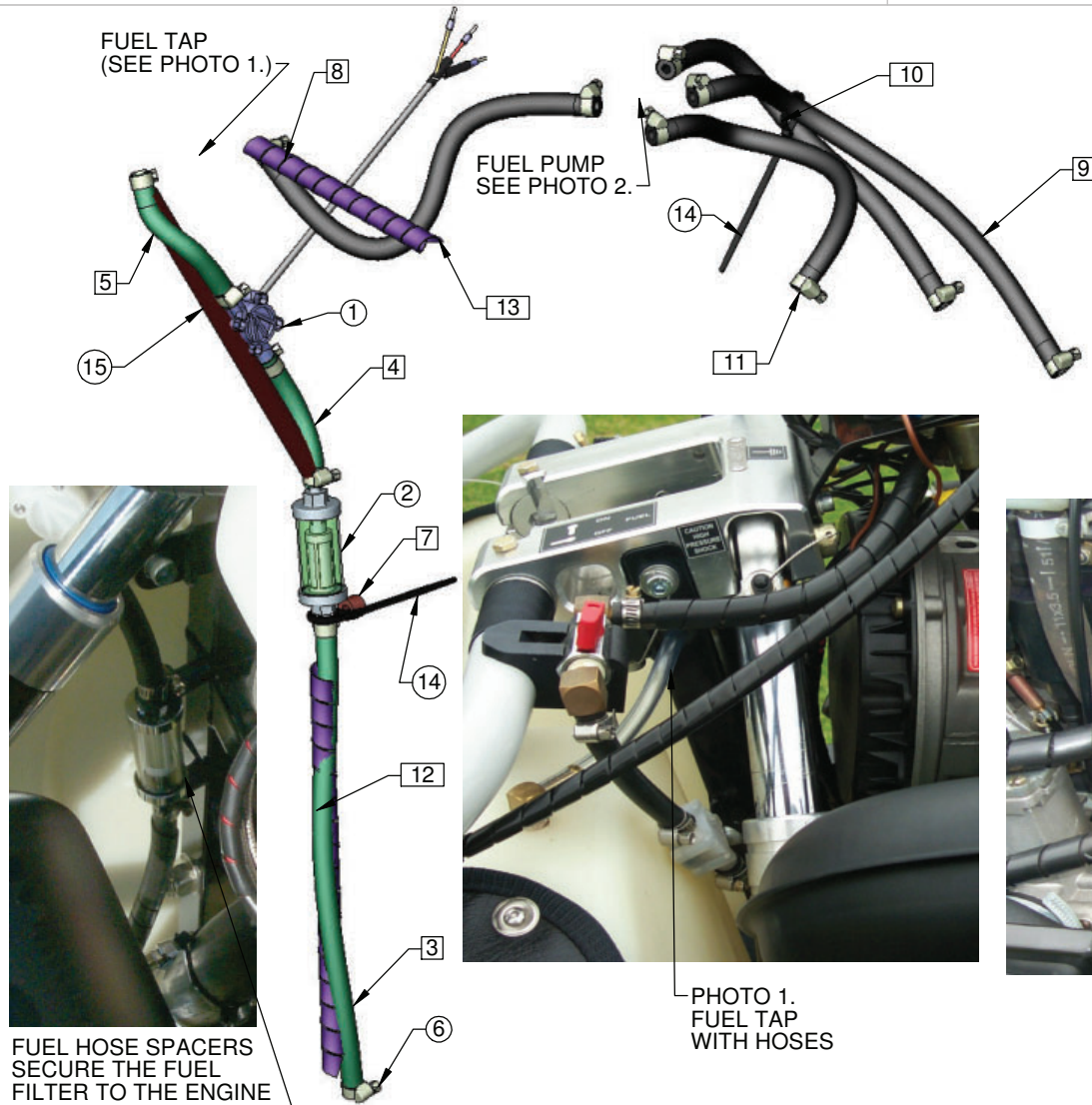


ENGINE COMPONENTS ASM XT-582

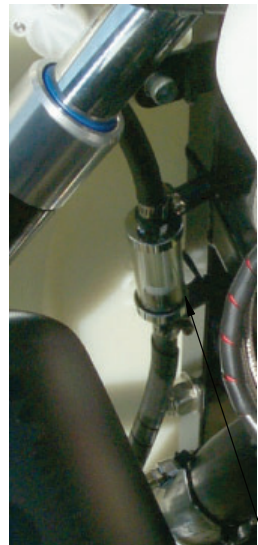
Drawn By	Scale	Date
Cris	1:5	10/02/05



6733
SHEET 1 of 2



ITEM NO.	NAME	DWG	PART NO.	QTY.
1	FUEL FLOW SENDER COMPLETE	5919	105289	1
2	FUEL FILTER GLASS 1/4 (ASM)	5915	101393	1
3	FUEL LINE 330 TANK-FILTER XT912	5911	105738	1
4	FUEL LINE 80 FILTER-METER XT912	5912	105739	1
5	FUEL LINE 100 METER-TAP XT912	5913	105740	1
6	HOSE CLAMP 6MM	5887	100099	14
7	HOSE BUSH 6ID X 10L	5726	106720	1
8	FUEL LINE 245MM TAP TO PUMP XT-582	6744	107001	1
9	FUEL LINE 400MM PUMP TO CARBY FRONT	6745	107002	1
10	FUEL LINE 280MM PUMP TO CARBY REAR	6746	107003	1
11	FUEL LINE 300MM PUMP TO CRANKCASE	6747	107004	1
12	SPIRAL BINDING 12D X 250	6524	106723	1
13	SPIRAL BINDING 12D X 150L	6524	106721	1
14	CABLE TIE (MEDIUM) 140MM	5605	101193	2
15	HOSE 6MM FUEL GRADE 215L	5726	104613	1



FUEL HOSE SPACERS SECURE THE FUEL FILTER TO THE ENGINE MOUNT.



PHOTO 1. FUEL TAP WITH HOSES



FUEL PUMP WITH FOUR ATTACHED HOSES

PHOTO 2. FUEL PUMP WITH HOSES

PART NO. 106996 - FUEL HOSE ASM XT-582
 PART NO. 110062 - FUEL HOSE SUBKIT 1 XT-582 (SHEET 2)

LAST ACESSED: Wednesday, 26 May 2010
 ALL DIMENSIONS IN MILLIMETERS UNLESS STATED OTHERWISE

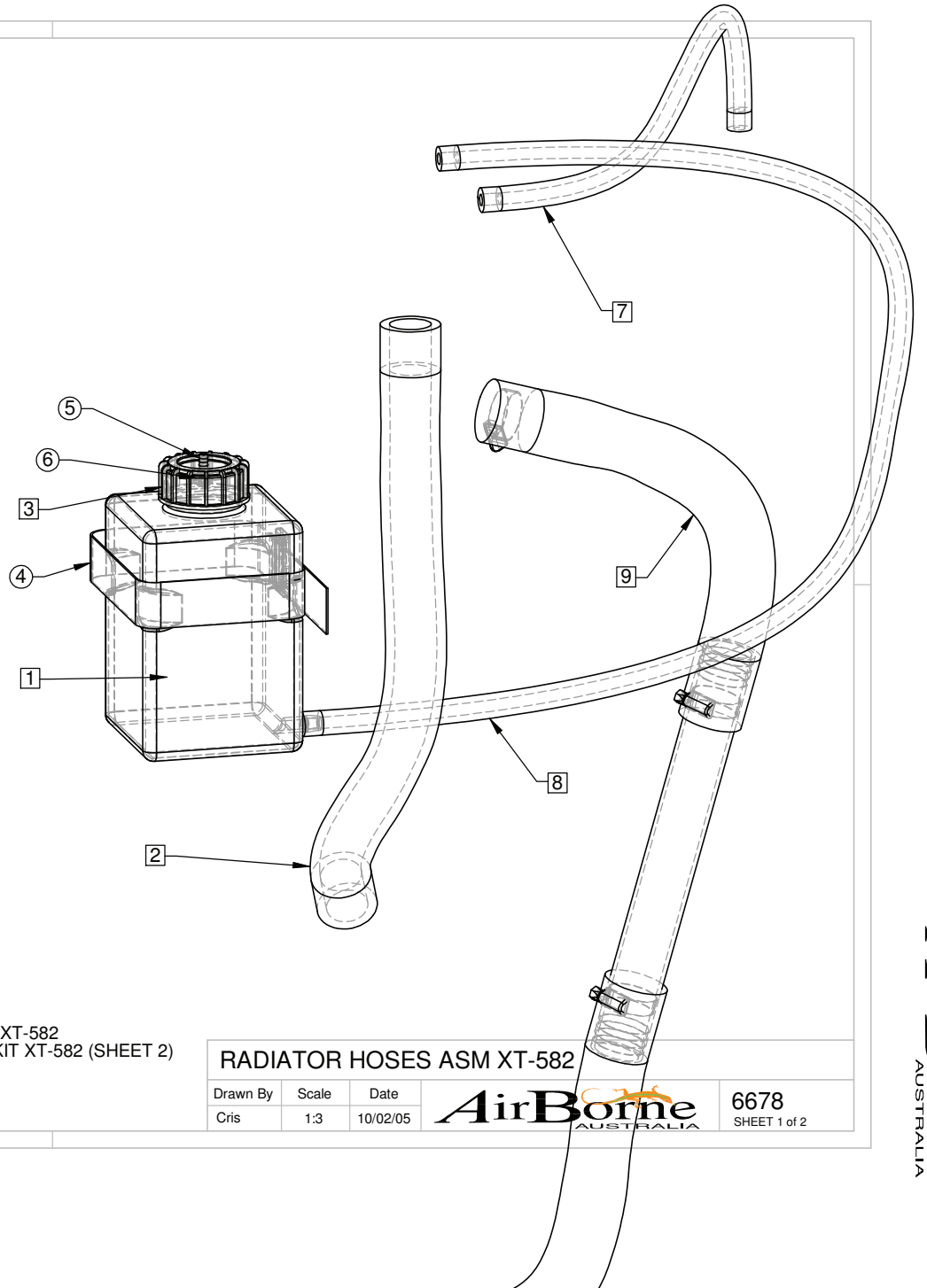
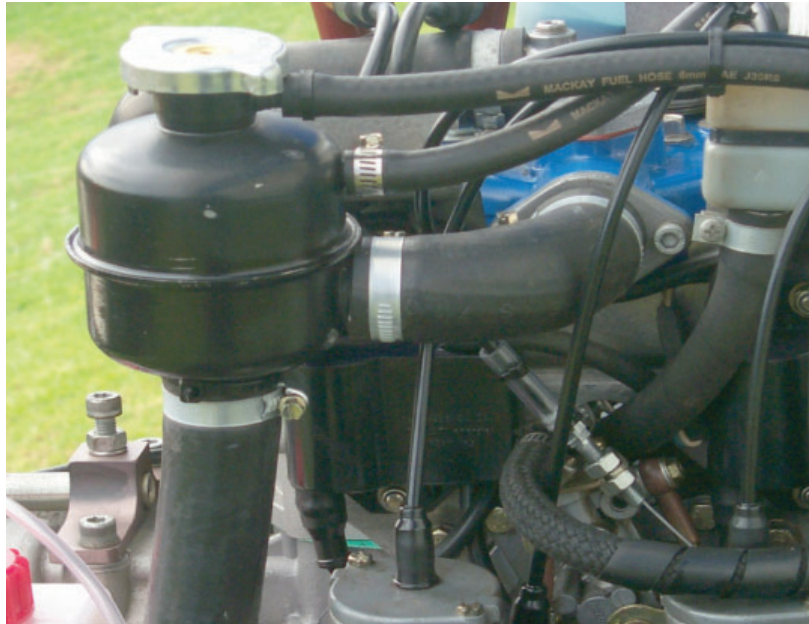
FUEL HOSE ASM XT-582

Drawn By	Scale	Date
Cris	1:3.8	21/02/05



6741
 SHEET 1 of 2

ITEM NO.	NAME	DWG	PART NO.	QTY.
1	RADIATOR OVERFLOW BOTTLE XT	5696	105474	1
2	RADIATOR HOSE XT-582 HEADER TO RAD	6719	106913	1
3	RADIATOR OVERFLOW BOTTLE CAP XT	5697	105475	1
4	STRAP OVERFLOW BOTTLE COMPLETE XT	6742	106997	1
5	NIPPLE M5 BRASS	5711	105868	1
6	NUT NYLOC M 4 ZINC	5604	100911	1
7	FUEL LINE 330MM HEADER TO ENG HEAD	6840	107235	1
8	FUEL LINE 740MM HEADER TO OVERFLOW	6841	107236	1
9	RADIATOR HOSE ASM MOTOR-RAD XT	6839	107234	1



Rev	AMENDMENTS	Date
1	DCR 2218, 582XT ENGINE RESTRUCTURING	15-02-06
2	DCR 2321 - RATIONALISE STRAP	10-09-07
3	DCR 2436 - 582 XT KIT	05-03-10

PART NO. 106868 - RADIATOR HOSES ASM XT-582
 PART NO. 110063 - RADIATOR HOSES SUBKIT XT-582 (SHEET 2)

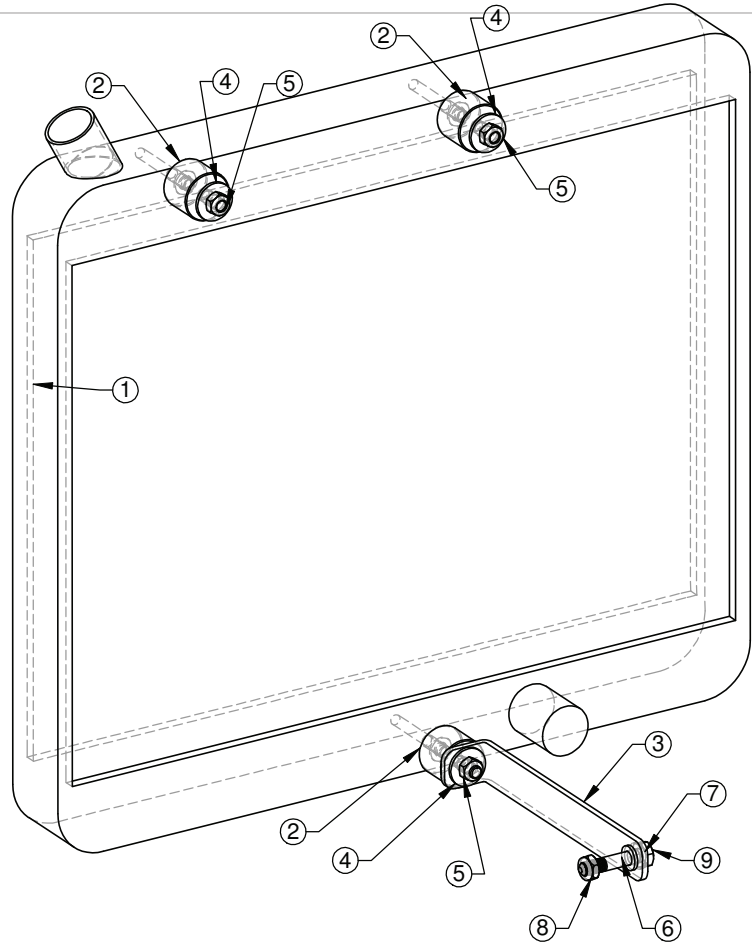
LAST ACESSED: Wednesday, 26 May 2010
 ALL DIMENSIONS IN MILLIMETERS UNLESS STATED OTHERWISE

RADIATOR HOSES ASM XT-582

Drawn By	Scale	Date
Cris	1:3	10/02/05



6678
 SHEET 1 of 2



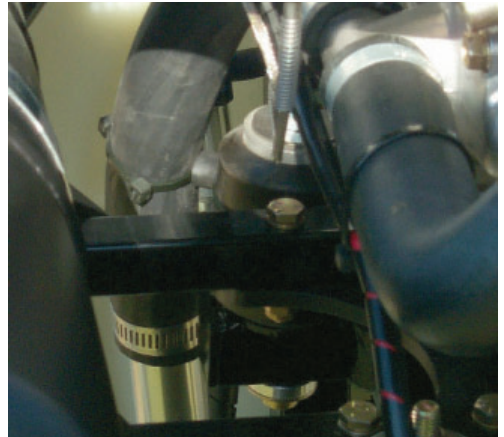
ITEM NO.	NAME	DWG	PART NO.	QTY.
1	RADIATOR PWR 380X340 XT-582 BLACK	6701	107864	1
2	RADIATOR MOUNTING RUBBER XT SHORT-S	5686	105470	3
3	BRACKET RADIATOR LOWER XT-582	6624	106864	1
4	WASHER SS304 1/4 X 3/4IN	5540	102018	3
5	NUT NYLOC M 6 ZINC	5604	102132	3
6	WASHER NYLON 1/4IN OBA THICK	5540	102424	1
7	WASHER AN4	5540	100042	1
8	NUT NYLOC AN4 HALF	5561	100035	1
9	BOLT AN4-12A	5450	100547	1



PHOTO SHOWS INSTALLED RADIATOR.



PHOTOS SHOW CABLE TIED FUEL HOSE SPACERS.



Rev	AMENDMENTS	Date
1	DCR 2251, CHANGE RAD TO P/COATED	05-06-06

PART NO. 106937 -

LAST ACESSED: Wednesday, 26 May 2010

ALL DIMENSIONS IN MILLIMETERS UNLESS STATED OTHERWISE

RADIATOR ASM XT-582

Drawn By	Scale	Date
Cris	1:5	02/02/05



6700
SHEET 1 of 1

WIRING NOTES:

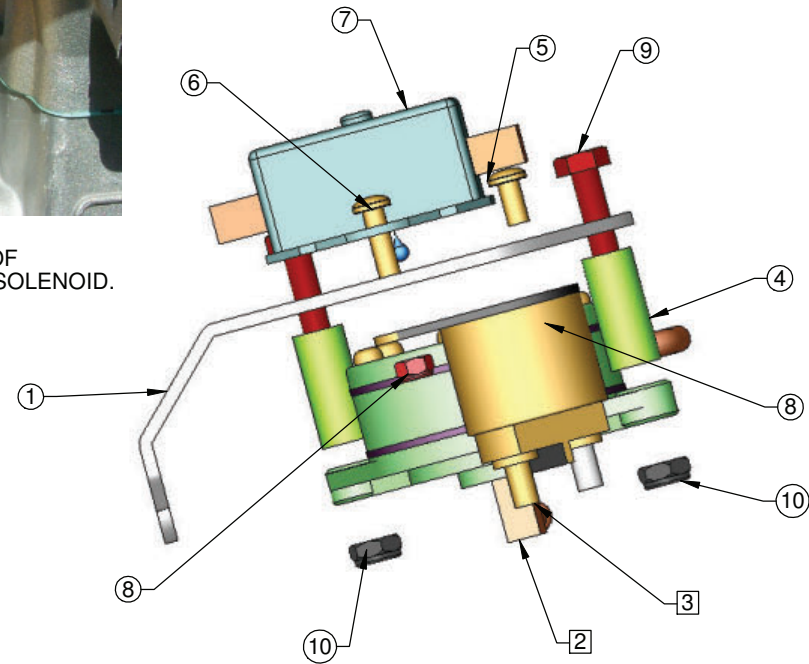
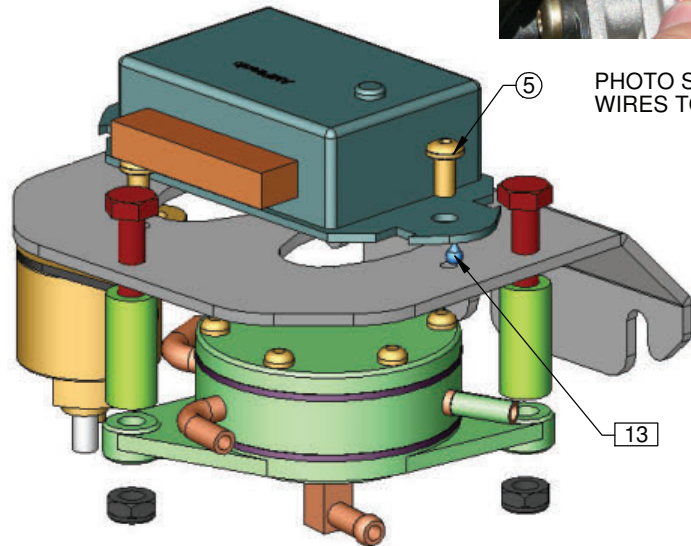
BROWN TO EARTH

WHITE WIRE TO THE 'TAB'
THE REAR STUD HAS RED
WIRE TO THE STARTER.

FRONT STUD
YELLOW / RED



PHOTO SHOWS ATTACHMENT OF
WIRES TO THE DATA BOX AND SOLENOID.



ITEM NO.	NAME	DWG	PART NO.	QTY
1	MOUNT PLATE FUEL PUMP XT-582	6729	106994	1
2	FUEL PUMP ROTAX 503/582	6728	106110	1
3	SOLENOID STARTER ROTAX	6288	105883	1
4	BUSH ALLOY OD 12 X 17/64 X 27L	5453	106999	2
5	SKT BUTTON SCREW M5 X 10 SS 304	5677	106172	2
6	SKT BUTTON SCREW M5 X 16 SS 304	5677	103182	1
7	CAPTURE MODULE XT-582	5707	107000	1
8	NUT NYLOC M 5 ZINC	5604	101365	2
9	BOLT AN4-16	5450	100004	2
10	NUT NYLOC AN4 HALF	5561	100035	2
13	LOCTITE 243 BLUE MID STRENGTH	5637	103706	1

Rev	AMENDMENTS	Date
1	DCR 2436 - 582 XT KIT	04-03-10

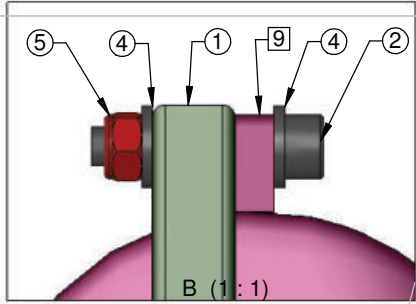
PART NO. 106995 - FUEL PUMP MOUNT ASM XT-582
 PART NO. 110064 - FUEL PUMP MOUNT SUBKIT XT-582 (SHEET 2)
 LAST ACESSED: Wednesday, 26 May 2010
 ALL DIMENSIONS IN MILLIMETERS UNLESS STATED OTHERWISE

FUEL PUMP MOUNT ASM XT-582

Drawn By	Scale	Date
Cris	1:1.5	21/02/05

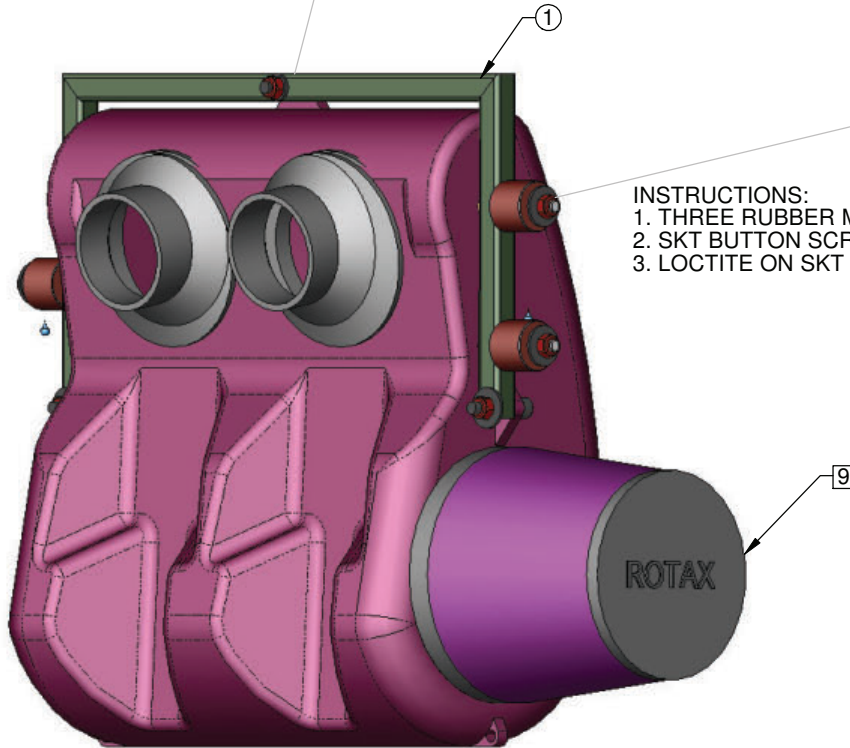


6740
SHEET 1 of 2

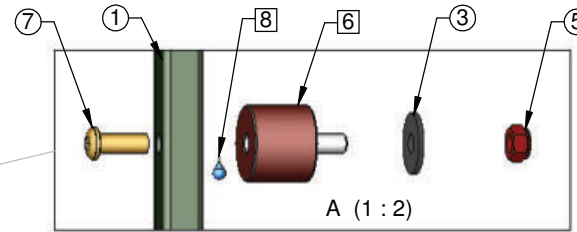


INSTRUCTIONS:
1. VIEW FROM INTAKE FILTER SIDE.
2. THREE MOUNTS.

ENSURE THAT THE INTAKE SILENCER
BOOTS ARE ALIGNED CORRECTLY.
(AS SHOWN)



INSTRUCTIONS:
1. THREE RUBBER MOUNTS.
2. SKT BUTTON SCREW ON INSIDE.
3. LOCTITE ON SKT BUTTON SCREW.



ITEM NO.	NAME	DWG	PART NO.	QTY.
1	BRACE INTAKE SILENCER XT-582 COMPLETE	6704	106911	1
2	SKT CAP SCREW M 6 X 30 SS	5603	107141	3
3	WASHER SS304 1/4 X 3/4IN	5540	102018	5
4	WASHER AN4	5540	100042	2
5	NUT NYLOC M 6 ZINC	5604	102132	6
6	MOUNTING RUBBER 20MM M6 SHORT	5686	107054	3
7	SKT BUTTON SCREW M6 X 16 SS304	5677	101752	3
8	LOCTITE 243 BLUE MID STRENGTH	5637	103706	3
9	ENGINE 582 INTAKE SILENCER ASM ROTAX	6904	107578	1



PHOTO SHOWS GAP BETWEEN RADIATOR AND AIR FILTER

Rev	AMENDMENTS	Date
1	DCR 2218, 582XT ENGINE RESTRUCTURING	15-02-06
2	DCR 2436 - 582 XT KIT	05-03-10

PART NO. 106865 - ENGINE 582 INTAKE SILENCER ASM
PART NO. 110061 - ENGINE 582 INTAKE SILENCER SUBKIT (SHEET 2)

LAST ACESSED: Wednesday, 26 May 2010
ALL DIMENSIONS IN MILLIMETERS UNLESS STATED OTHERWISE

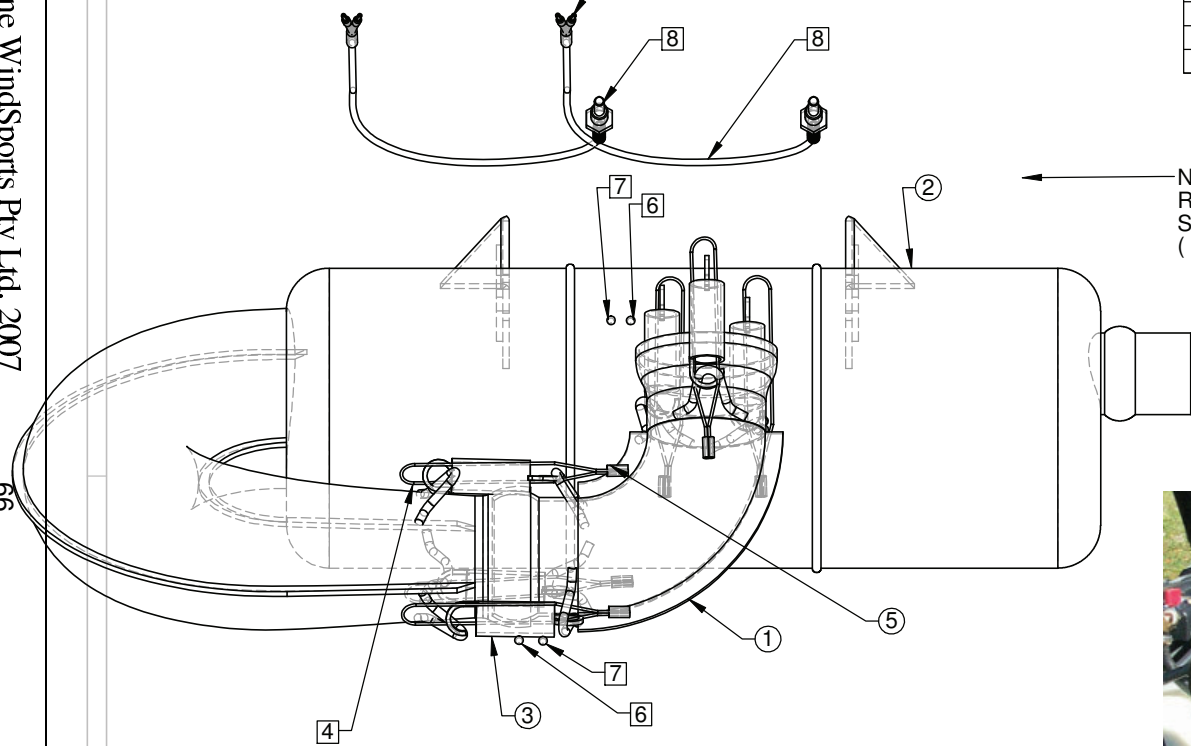
ENGINE 582 INTAKE SILENCER ASM

Drawn By	Scale	Date
Cris	1:3	02/02/05



6675
SHEET 1 of 2

NOTE: EGT SENDERS ARE FITTED TO THE EXHAUST MANIFOLD AND CAPTURE MODULE DURING FINAL ASSEMBLY.



ITEM NO.	NAME	DWG	PART NO.	QTY.
1	EXHAUST ELBOW 90 DEG 582 CERAMIC	6632	106823	1
2	EXHAUST MUFFLER XT-582 CERAMIC COATED	6635	106825	1
3	SPRING EXHAUST OD16X60L CERAMIC	5556	100263	6
4	TIE WIRE - 200 EXHAUST XT	6372	106263	6
5	SWAGE 1.2MM (3/64IN)	5566	101561	6
6	VALVE GRIND COMPOUND MEDIUM	5637	107223	2
7	LOCTITE 767 ANTI-SEIZE PASTE	5637	105472	2
8	EGT SENDER ASM GENERIC XT912 TYPE 1	6350	106220	2

NOTE:
 ROTAX EXHAUST MANIFOLD GASKETS USED.
 SUPPLIED WITH THE ENGINE.
 (FOR SPARES AIRBORNE PART # 100804)

INSTRUCTIONS:
 MEDIUM GRINDING PASTE TO BE USED TO FINISH THE MATING SURFACES, THEN REMOVED AND A THIN LAYER OF ANTI SEIZE PASTE APPLIED BEFORE MATING THE PARTS.

NOTE THAT PART # 106824 THE EXHAUST MANIFOLD IS ASSEMBLED ONTO THE ENGINE ON DWG # 6905, IN THE ENGINE ASSEMBLY AREA.



PHOTO OF INSTALLED EXHAUST WITH AFTER SILENCER.

Rev	AMENDMENTS	Date
1	DCR 2218, 582XT ENGINE RESTRUCTURING	15-02-06
2	DCR 2229, EXHAUST SPRING PART NO FIXED	21-03-06

PART NO. 106822 -

LAST ACESSED: Wednesday, 26 May 2010

ALL DIMENSIONS IN MILLIMETERS UNLESS STATED OTHERWISE

EXHAUST ASM XT-582

Drawn By	Scale	Date
Cris	1:3	02/02/05



6710
 SHEET 1 of 2



LUG POSITION DETAIL PHOTO.

Rev	AMENDMENTS	Date

PART NO.

LAST ACESSED: Wednesday, 26 May 2010
 ALL DIMENSIONS IN MILLIMETERS UNLESS STATED OTHERWISE

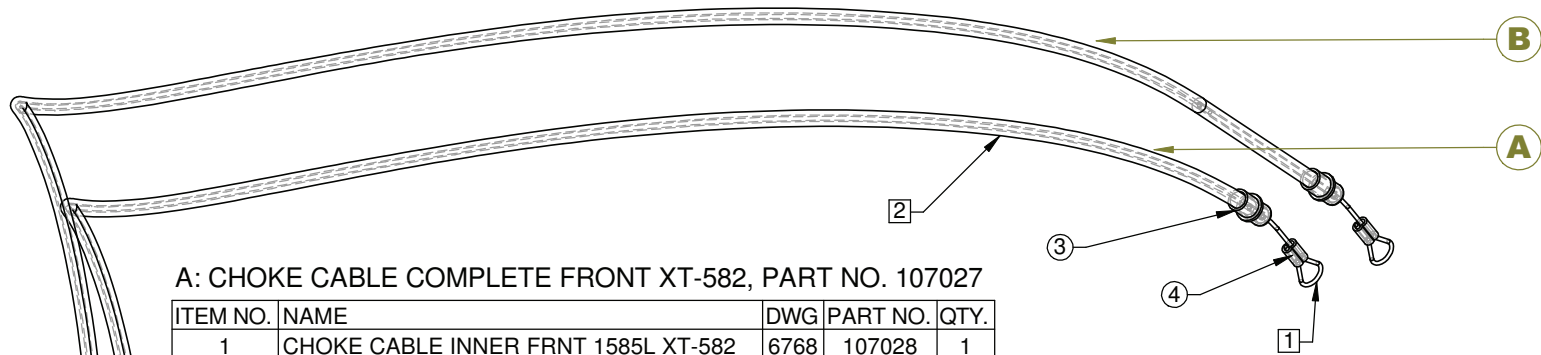
Drawn By	Scale	Date
Simon	NTS	21-11-05



6710
 SHEET 2 of 2

10 CHOKE CABLE ASM XT-582

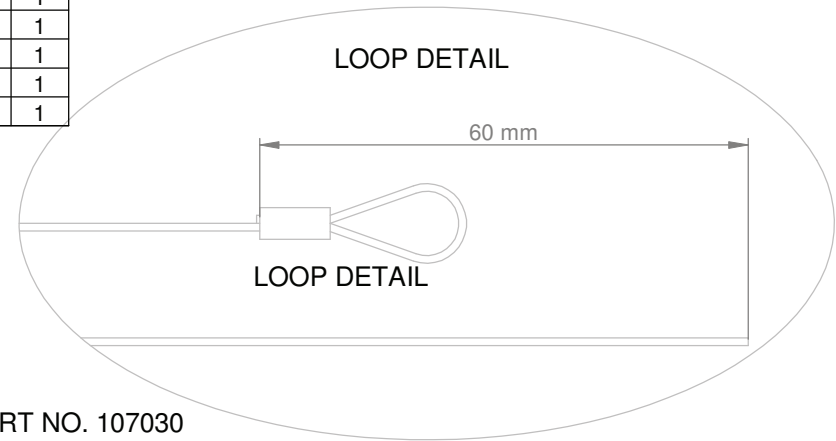
- **Drawing # 6767**



A: CHOKE CABLE COMPLETE FRONT XT-582, PART NO. 107027

ITEM NO.	NAME	DWG	PART NO.	QTY.
1	CHOKE CABLE INNER FRNT 1585L XT-582	6768	107028	1
2	CHOKE CABLE OUTER FRNT 1450L XT-582	6769	107029	1
3	T/CABLE OUTER END CAP - SHLDR	6770	103782	1
4	SWAGE 1.2mm (3-64")	5566	101561	1
5	T/CABLE FERRULE 1.2MM CABLE	6771	101341	1
6	END CAP BOWEN CABLE 5MM	6443	100798	1

NOTE: VALUES GIVE WIRE CUT LENGTHS



B: CHOKE CABLE COMPLETE REAR XT-582, PART NO. 107030

ITEM NO.	NAME	DWG	PART NO.	QTY.
1	CHOKE CABLE INNER REAR 1655L XT-582	6768	107031	1
2	CHOKE CABLE OUTER REAR 1520L XT-582	6769	107032	1
3	T/CABLE OUTER END CAP - SHLDR	6770	103782	1
4	SWAGE 1.2mm (3-64")	5566	101561	1
5	T/CABLE FERRULE 1.2MM CABLE	6771	101341	1
6	END CAP BOWEN CABLE 5MM	6443	100798	1

SOLDER ENDS
IN PLACE

Rev	AMENDMENTS	Date

LAST ACESSED: Wednesday, 26 May 2010

ALL DIMENSIONS IN MILLIMETERS UNLESS STATED OTHERWISE



CHOKE CABLES COMPLETE XT-582

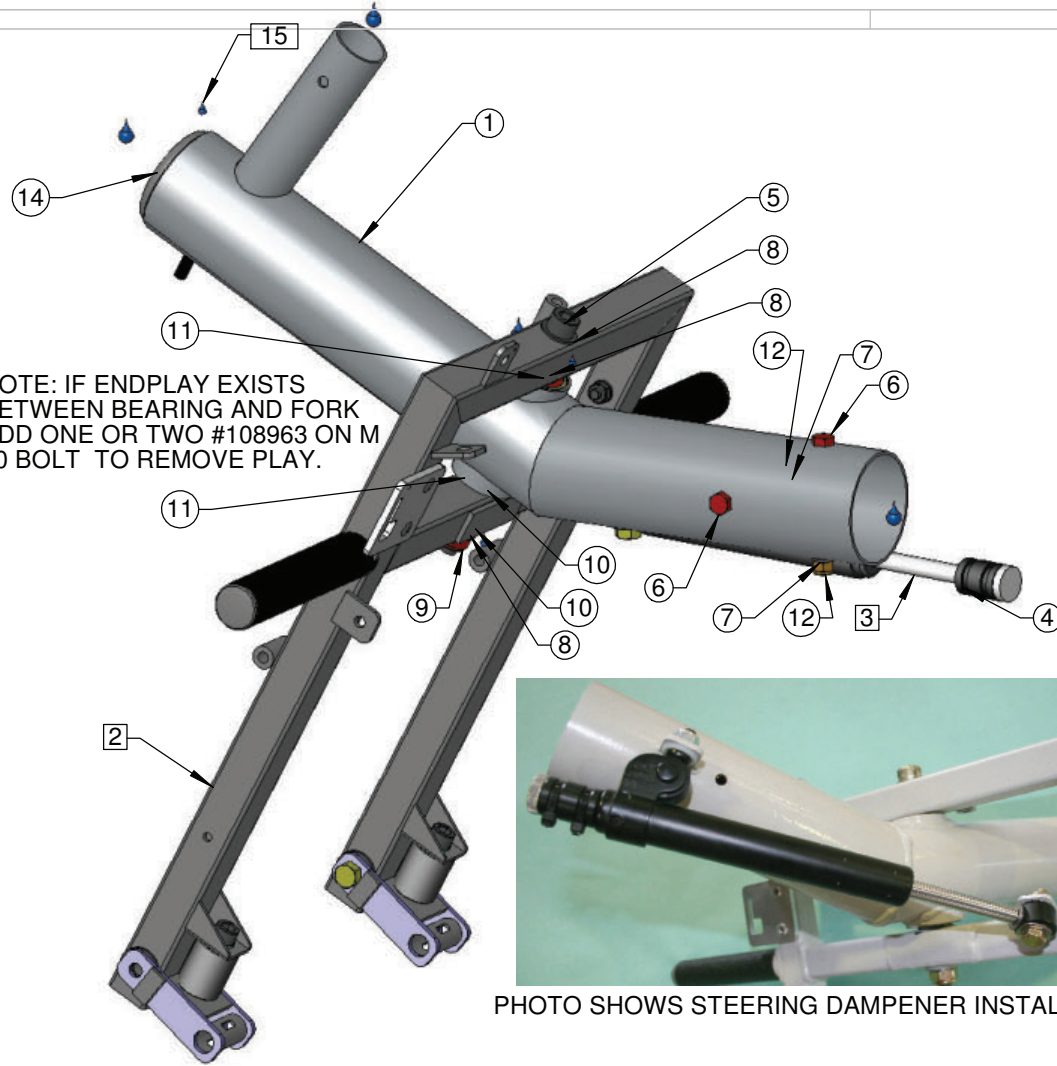
Drawn By	Scale	Date
Cris	1:2	01/03/05



6767
SHEET 1 of 1

11 FRNT END SUBASM XT TUNDRA TYPE 3 - Drawing # 7410

- 11.1 Fork Carrier Incl Bearings* - *Drawing # 6436*
- 11.2 Front Fork Subasm XT Tundra* - *Drawing # 6969*
- 11.3 Steering Dampener Subasm* - *Drawing # 5610*



NOTE: IF ENDPLAY EXISTS BETWEEN BEARING AND FORK ADD ONE OR TWO #108963 ON M 10 BOLT TO REMOVE PLAY.

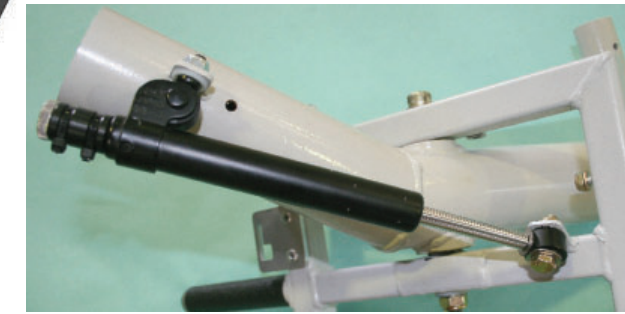


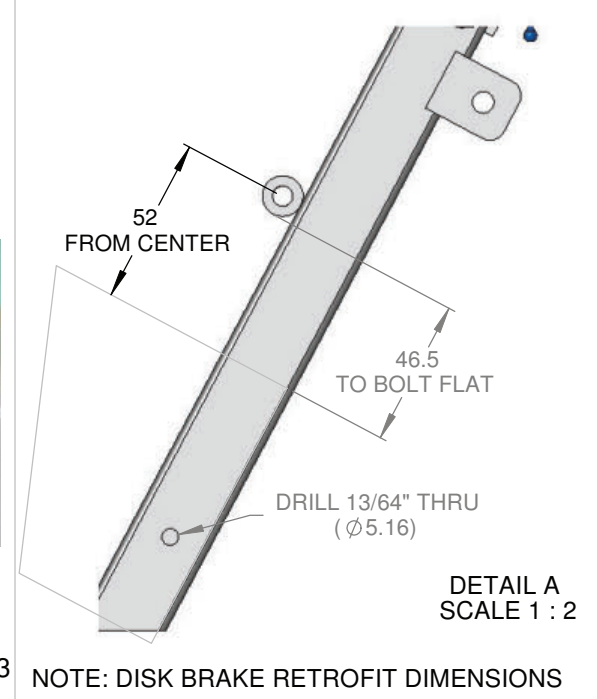
PHOTO SHOWS STEERING DAMPENER INSTALLED

NOTE: BOMS ARE THE SAME FOR BOTH ASMS
 PART NO. 108361 - FRNT END SUBASM XT TUNDRA TYPE 3
 PART NO. 110050 - FRNT END SUBKIT XT TUNDRA TYPE 3

COPIED FROM A4-6970, 11-04-07

LAST ACESSED: Wednesday, 26 May 2010
 ALL DIMENSIONS IN MILLIMETERS UNLESS STATED OTHERWISE

ITEM NO.	NAME	DWG	PART NO.	QTY.
1	FORK CARRIER XT INCL BEARINGS GREY	6436	106916	1
2	FRNT FORK SUBASM XT TUNDRA	6969	108108	1
3	STEERING DAMPENER SUBASM XT SERIES	5610	105388	1
4	BUSH STEERING LIMITER (TUNDRA)	6333	105998	1
5	SKT CAP SCREW M10X150 ZINC PLATED	5603	108101	1
6	BOLT AN4-27A	5450	100010	2
7	WASHER AN4	5540	100042	2
8	WASHER SS 304 M10 X21MM	5540	103458	3
9	NUT NYLOC M10 ZINC	5604	100802	1
10	WASHER NYLON M10 STND	5540	100619	2
11	WASHER MYLAR 22X11.5	5540	108963	2
12	NUT NYLOC AN4 FULL	5535	100034	2
13	RUST PROTECTANT ARP LIQUID	5637	106730	1
14	CAP ROUND TUBE CLOSURE 57MM	5633	101718	1
15	LOCTITE 406 INSTANT ADHESIVE	5637	103707	1
16	SLEEVE 60DX 10L	7216	104548	1



NOTE: DISK BRAKE RETROFIT DIMENSIONS

Rev	AMENDMENTS	Date
1	DCR 2347 ADD 108963	08-02-08
2	DCR 2436 - 582 XT KIT	25-02-10

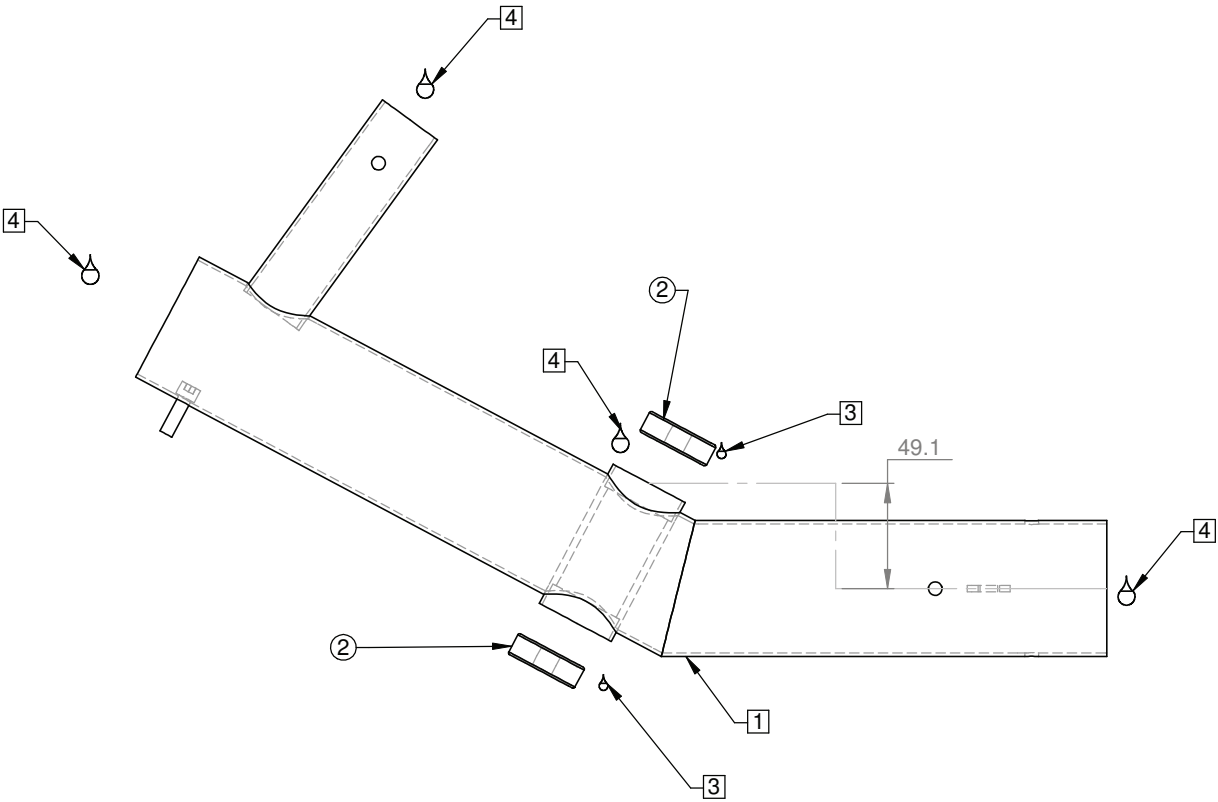
FRNT END SUBASM XT TUNDRA TYPE 3

Drawn By	Scale	Date
Simon	1:3.5	11-04-07



7410 SHEET 1 of 1

ITEM NO.	NAME	DWG	PART NO.	QTY.
1	FORK CARRIER BEARING TYPE XT TUBE ONLY	5445	105197	1
2	BEARING (STEEL NOSE CONE)	5608	102865	2
3	LOCTITE 641 BEARING LOCK	5637	103708	2
4	RUST PROTECTANT ARP LIQUID	5637	106730	4



Rev	AMENDMENTS	Date
1	DCR 2186 REARRANGED ASSEMBLY	27/10/05

PART NO. 106916 - 0

LAST ACESSED: Wednesday, 26 May 2010

ALL DIMENSIONS IN MILLIMETERS UNLESS STATED OTHERWISE

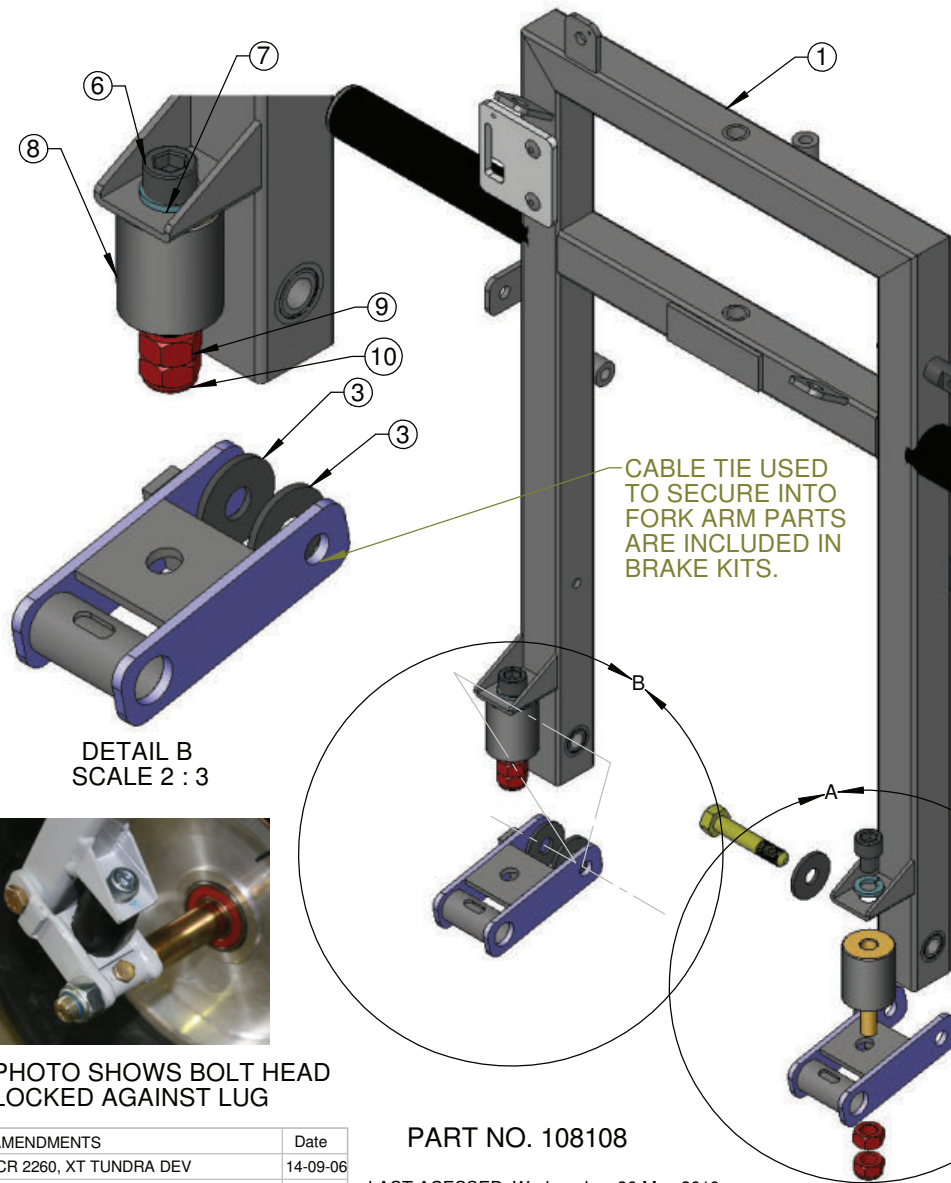


FORK CARRIER XT INCL BEARINGS GREY

Drawn By	Scale	Date
Cris	1:3	24/03/04



6436
SHEET 1 of 1

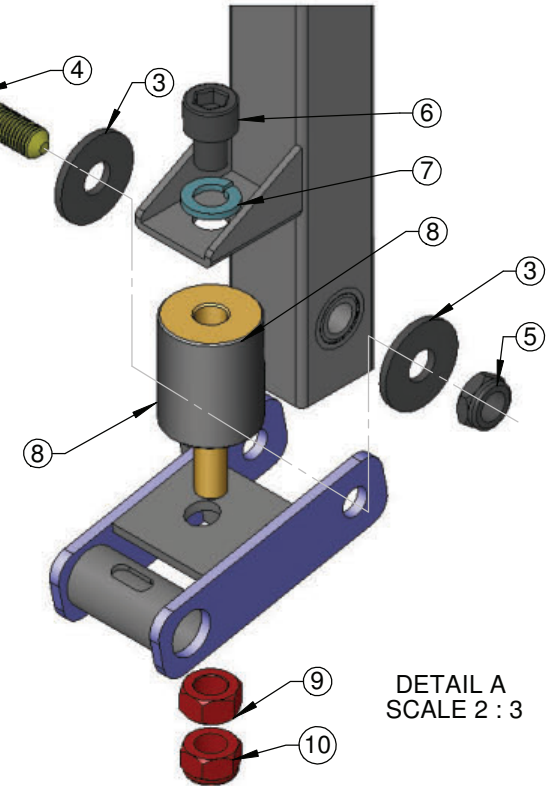


DETAIL B
SCALE 2 : 3



PHOTO SHOWS BOLT HEAD
LOCKED AGAINST LUG

ITEM NO.	NAME	DWG	PART NO.	QTY.
1	FORK TUNDRA GREY INCL FITTINGS TYPE 1	6878	108106	1
2	FRNT SUSPENSION PIVOT ARM XT GREY TUNDRA	4565	108107	2
3	WASHER NYLON M 8 XOD	5540	100820	4
4	BOLT AN5-15A	5493	100015	1
5	NUT NYLOC AN5 HALF	5561	100037	1
6	SKT CAP SCREW M 8 X 10 ZINC	5603	102929	2
7	SPRING WASHER 8MM ZINC	5679	101366	2
8	SUSPENSION RUBBER FRONT	6367	102930	2
9	NUT M 8 ZINC PLATED	5495	100094	2
10	NUT NYLOC M 8 ZINC	5604	100915	2
11	CABLE TIE (MEDIUM) 140MM	5605	101193	1



DETAIL A
SCALE 2 : 3

NOTE:
THIS ASSEMBLY MIMICS THE XT ASSEMBLY DWG # 5590

Rev	AMENDMENTS	Date
1	DCR 2260, XT TUNDRA DEV	14-09-06
2	DCR 2312, PIVOT BOLT TO BRAKE KIT	27-06-07

PART NO. 108108

LAST ACESSED: Wednesday, 26 May 2010
ALL DIMENSIONS IN MILLIMETERS UNLESS STATED OTHERWISE

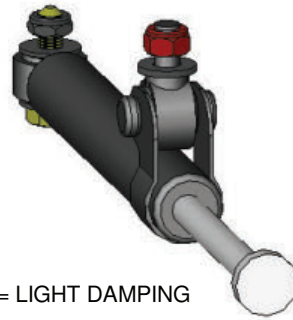
FRNT FORK SUBASM XT TUNDRA

Drawn By	Scale	Date
Simon	1:3	14-09-06



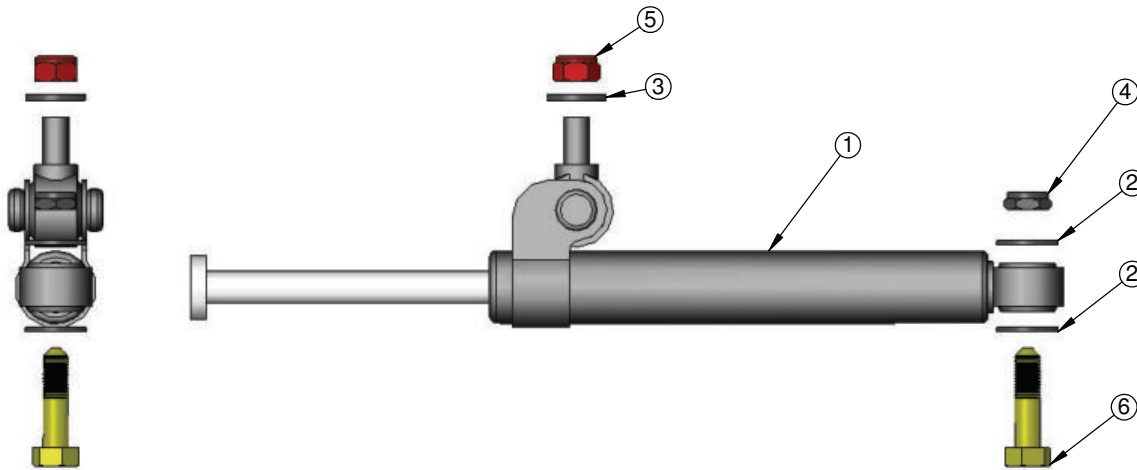
6969
SHEET 1 of 1

ITEM NO.	NAME	DWG	PART NO.	QTY.
1	STEERING DAMPER	5609	100628	1
2	WASHER SS 304 5/16 X 3/4IN	5540	102332	2
3	WASHER NYLON M 8 STND	5540	100595	1
4	NUT NYLOC AN5 HALF	5561	100037	1
5	NUT NYLOC M 8 ZINC	5604	100915	1
6	BOLT AN5-11	5493	102743	1



ANTICLOCKWISE = LIGHT DAMPING CLOCKWISE = HEAVY DAMPING

DEFAULT SETTING IS WOUND TO THE LEFT FOR FULLY "LIGHT" DAMPING SETTING.



Rev	AMENDMENTS	Date

PART NO. 105388 -

LAST ACESSED: Wednesday, 26 May 2010

ALL DIMENSIONS IN MILLIMETERS UNLESS STATED OTHERWISE

STEERING DAMPENER SUBASM XT SERIES

Drawn By	Scale	Date
Cris	1:2	12/05/03

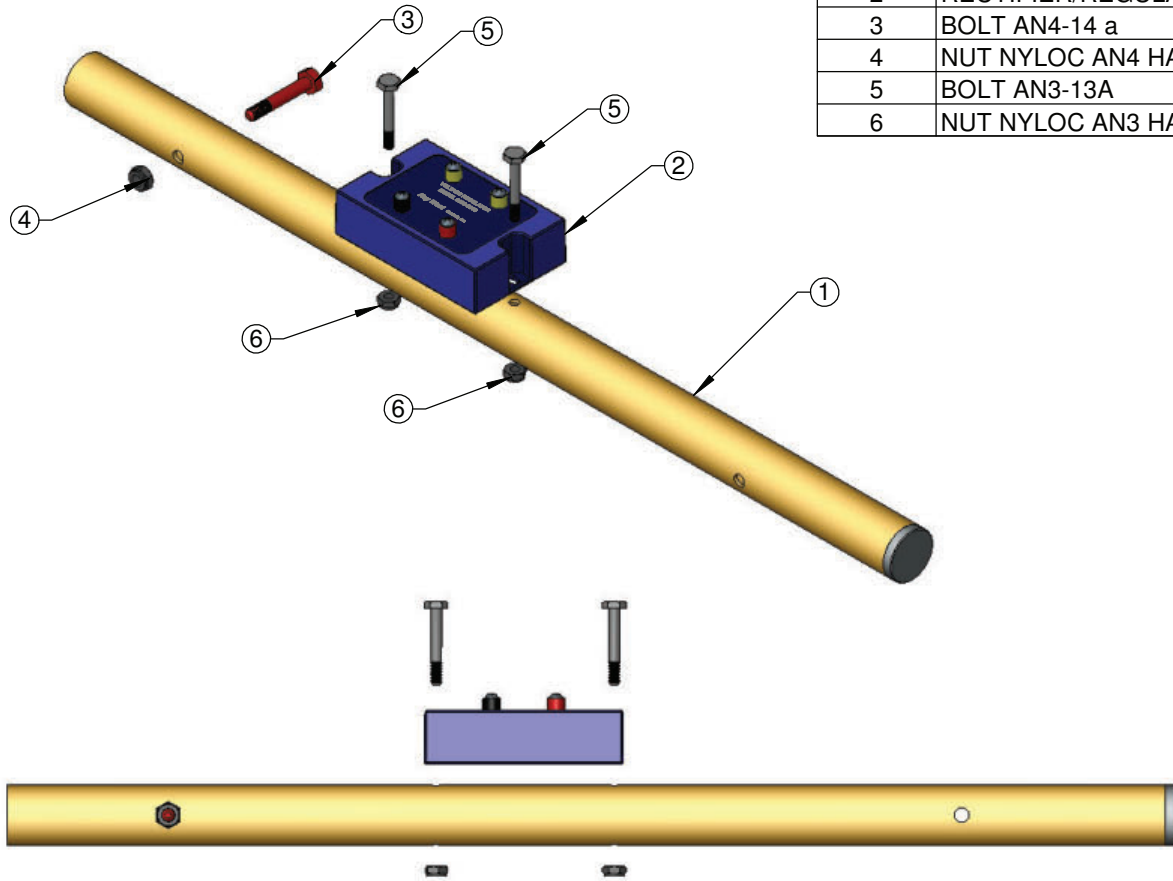


5610
SHEET 1 of 1

12 MAST BRACE LOWER SUBASM XT-582 -

Drawing # 6802

ITEM NO.	NAME	DWG	PART NO.	QTY.
1	MAST BRACE BTM WITH BUNG XT582	6934	107741	1
2	RECTIFIER/REGULATOR KEYWEST	6803	103845	1
3	BOLT AN4-14 a	5450	100559	1
4	NUT NYLOC AN4 HALF	5561	100035	1
5	BOLT AN3-13A	5449	100584	2
6	NUT NYLOC AN3 HALF	5561	101334	2



PART NO. 107165 - MAST BRACE LOWER SUBASM XT582
 PART NO. 110053 - MAST BRACE LOWER SUBKIT 1 XT582 (SHEET 2)
 PART NO. 110057 - MAST BRACE LOWER SUBKIT 2 XT582 (SHEET 2)

Rev	AMENDMENTS	Date
1	MAST BRACE ASM NOW USED DCR2239	13/04/06
2	DCR 2436 - 582 XT KIT	26-02-10

LAST ACESSED: Wednesday, 26 May 2010
 ALL DIMENSIONS IN MILLIMETERS UNLESS STATED OTHERWISE

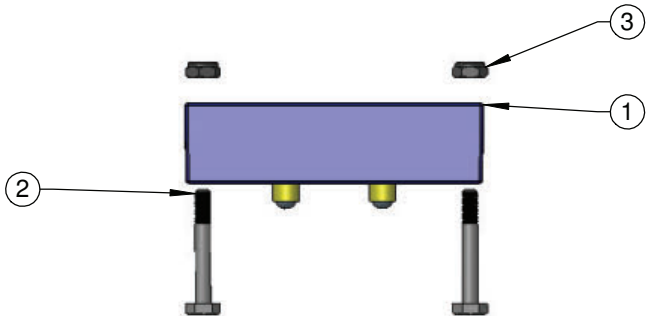
MAST BRACE LOWER SUBASM XT582

Drawn By	Scale	Date
Simon	1:3	06-05-05

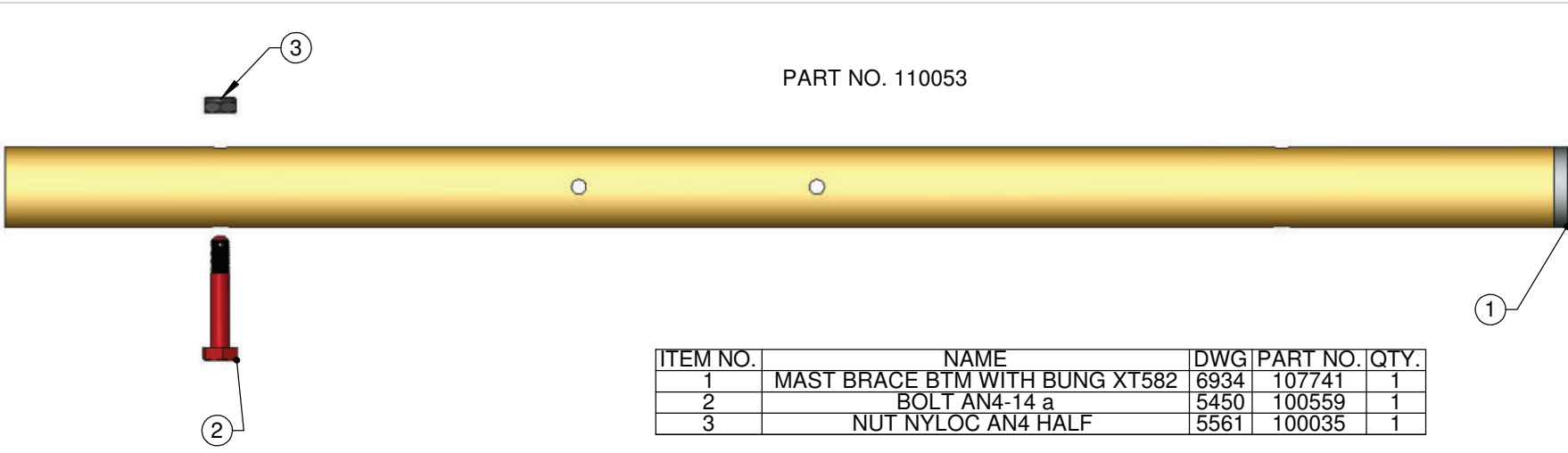


6802
 SHEET 1 of 2

ITEM NO.	NAME	DWG	PART NO.	QTY.
1	RECTIFIER/REGULATOR KEYWEST	6803	103845	1
2	BOLT AN3-13A	5449	100584	2
3	NUT NYLOC AN3 HALF	5561	101334	2



PART NO. 110057



PART NO. 110053

ITEM NO.	NAME	DWG	PART NO.	QTY.
1	MAST BRACE BTM WITH BUNG XT582	6934	107741	1
2	BOLT AN4-14 a	5450	100559	1
3	NUT NYLOC AN4 HALF	5561	100035	1

PART NO. 110057 - MAST BRACE LOWER SUBKIT 2 XT582
 PART NO. 110053 - MAST BRACE LOWER SUBKIT 1 XT582

Rev	AMENDMENTS	Date

LAST ACCESSED: Wednesday, 26 May 2010
 ALL DIMENSIONS IN MILLIMETERS UNLESS STATED OTHERWISE

MAST BRACE LOWER SUBKIT 2 XT582

Drawn By	Scale	Date
Simon	1:2	26-02-10



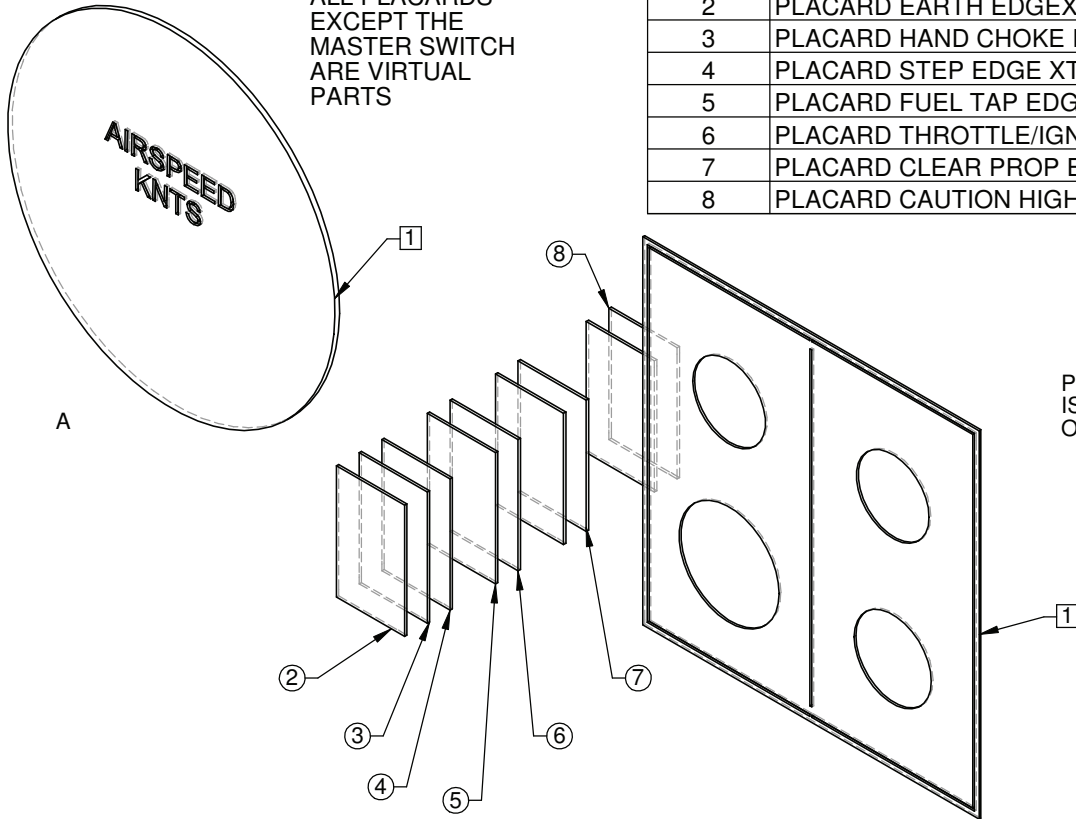
6802
 SHEET 2 of 2

13 PLACARDS SET GENERIC XT-582

-

Drawing # 6854

NOTE:
ALL PLACARDS
EXCEPT THE
MASTER SWITCH
ARE VIRTUAL
PARTS



ITEM NO.	NAME	DWG	PART NO.	QTY.
1	PLACARD SET XT DASH	6868	107387	1
2	PLACARD EARTH EDGE XT BLACK	5900	105710	1
3	PLACARD HAND CHOKE EDGE XT BLACK	5900	105711	1
4	PLACARD STEP EDGE XT BLACK	5900	105712	1
5	PLACARD FUEL TAP EDGE XT BLACK	5900	105713	1
6	PLACARD THROTTLE/IGNITION EDGE XT BL	5900	105714	1
7	PLACARD CLEAR PROP EDGE XT BLACK	5900	105716	2
8	PLACARD CAUTION HIGH PRESSURE SHOCK	5900	106397	2

PLACARD SET XT DASH PART NO 107387
IS REFERENCED IN FOXFRO AS IT IS INCLUDED
ON THE DASH SUB ASSEMBLY SEE A4-5969

DATA PLATE EDGE XT-582	See DWG # 6924
PLACARD MASTER SWITCH EDGE XT BLACK Part # 105715	See DWG # 5969
PLACARD VNE ASI DGE CRUZE-STREAK 3 Part # 107237	See DWG # 5969
PLACARD PLACARD NO STEP EDGE XT BLACK Part # 105718	See DWG # 6856

DATA FOR PLACARDS LIVES IN 5900.CDR
ANY REV CHANGES IN THIS MASTER DOCUMENT
MUST BE INCLUDED ON THIS SHEET

PART NO FOR PLACARD SHEETS: 105717 AND 106765

Rev	AMENDMENTS	Date
1	CREATED FROM 6855,	26-09-05
2	DCR 2234, CHGS DUE TO SLSA	07-04-06
3	DCR 2300, MOVE 105718 TO 6856	25-05-07

PART NO. 106775

LAST ACESSED: Wednesday, 26 May 2010

ALL DIMENSIONS IN MILLIMETERS UNLESS STATED OTHERWISE

PLACARDS SET GENERIC EDGE XT-582

Drawn By	Scale	Date
SIMON	1:1	26-09-05



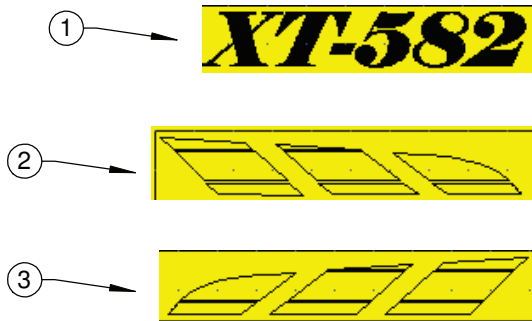
6854
SHEET 1 of 1

14 STICKER SETS XT-582

- **Drawing # 6857**

ITEM NO.	NAME	DWG	PART NO.	QTY.
1	STICKER SPAT EDGE XT-582 MIRROR CHROME	6858	107367	1
2	STICKER SPAT FIN LHS EDGE XT MIRROR CHRO	6330	105989	1
3	STICKER SPAT FIN RHS EDGE XT MIRROR CHRO	6330	105990	1

ITEM NO.	NAME	DWG	PART NO.	QTY.
1	STICKER SPAT EDGE XT-582 BLACK	6858	107368	1
2	STICKER SPAT FIN LHS EDGE XT BLACK	6330	107372	1
3	STICKER SPAT FIN RHS EDGE XT BLACK	6330	107373	1

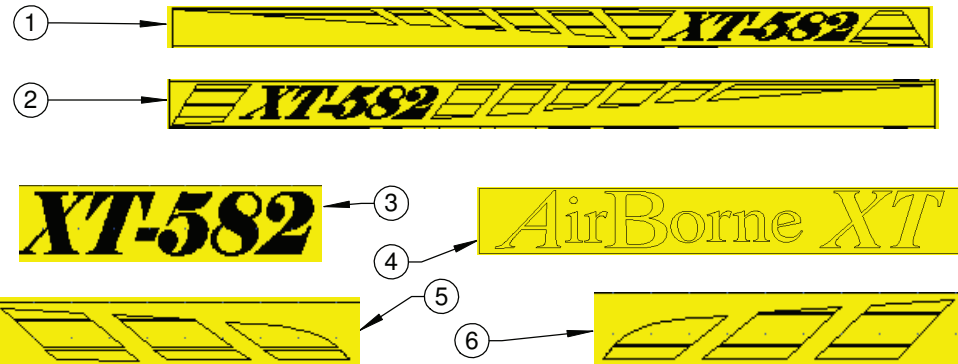


PART NO. 107354 STICKER SPAT SET XT-582 MIRROR CHROME
 PART NO. 107366 STICKER SPAT SET XT-582 BLACK

ITEM NO.	NAME	DWG	PART NO.	QTY.
1	STICKER POD LHS EDGE XT-582 MIRROR CHROM	6858	107350	1
2	STICKER POD RHS EDGE XT-582 MIRROR CHROM	6858	107351	1
3	STICKER SPAT EDGE XT-582 MIRROR CHROME	6858	107367	2
4	STICKER AIRBORNE XT MIRROR CHROME	6861	105985	2
5	STICKER SPAT FIN LHS EDGE XT MIRROR CHRO	6330	105989	2
6	STICKER SPAT FIN RHS EDGE XT MIRROR CHRO	6330	105990	2

ITEM NO.	NAME	DWG	PART NO.	QTY.
1	STICKER POD LHS EDGE XT-582 BLACK	6858	107361	1
2	STICKER POD RHS EDGE XT-582 BLACK	6858	107362	1
3	STICKER SPAT EDGE XT-582 BLACK	6858	107368	2
4	STICKER AIRBORNE XT SILVER METALLIC	6861	109442	2
5	STICKER SPAT FIN LHS EDGE XT BLACK	6330	107372	2
6	STICKER SPAT FIN RHS EDGE XT BLACK	6330	107373	2

ITEM NO.	NAME	DWG	PART NO.	QTY.
1	STICKER POD LHS EDGE XT582 SILVER METAL	6858	109069	1
2	STICKER POD RHS EDGE XT582 SILVER METAL	6858	109070	1
3	STICKER EDGE XT582 SILVER METALLIC	6858	109071	2
4	STICKER AIRBORNE XT SILVER METALLIC	6861	109442	2
5	STICKER SPAT FIN LHS EDGE XT SILVER META	6330	109072	2
6	STICKER SPAT FIN RHS EDGE XT SILVER META	6330	109073	2



PART NO. 107348 STICKER SET XT-582 MIRROR CHROME
 PART NO. 107363 STICKER SET XT-582 BLACK
 PART NO. 109089 STICKER SET XT-582 SILVER METALLIC

Rev	AMENDMENTS	Date
1	DCR 2317, PART NOS CHANGED	20-08-07
2	DCR 2344, XT-07 DEV	28-02-08
3	DCR 2387 ADDED 109442	12-09-08

LAST ACESSED: Wednesday, 26 May 2010
 ALL DIMENSIONS IN MILLIMETERS UNLESS STATED OTHERWISE

STICKER SETS XT-582

Drawn By	Scale	Date
Simon	1:1	28-09-05



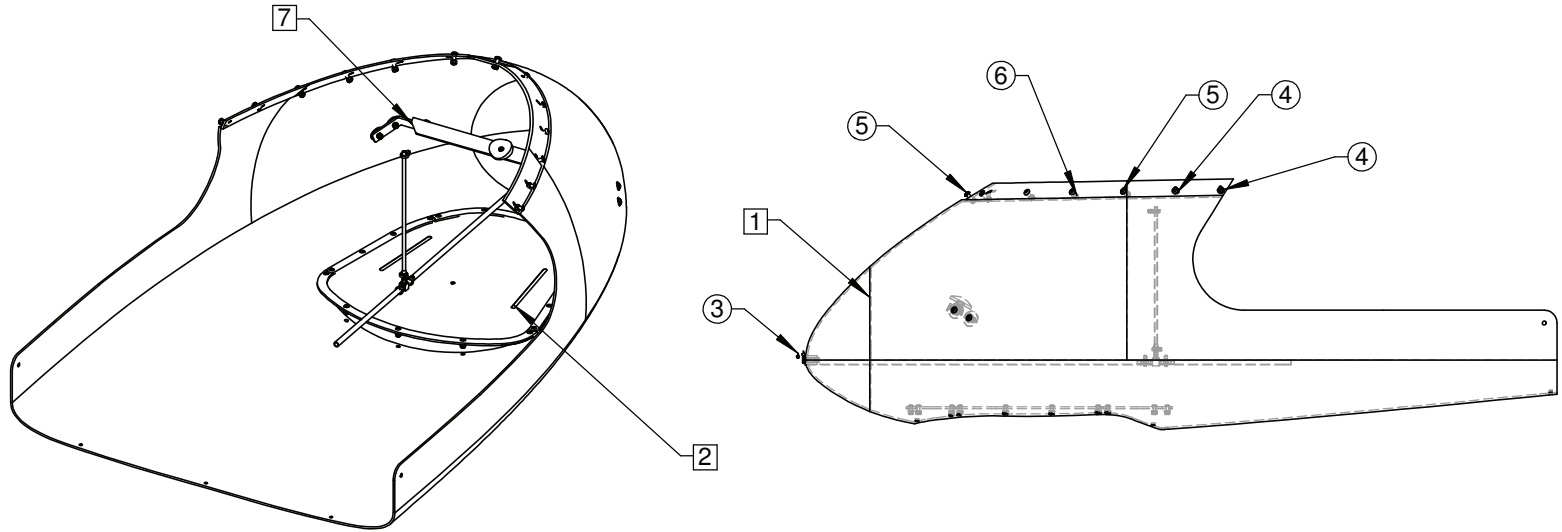
6857
 SHEET 1 of 1

15 POD ASM XT TUNDRA

15.1 Cockpit Front Bracket Subasm

- **Drawing # 7566**
- *Drawing # 5755*

ITEM NO.	NAME	DWG	PART NO.	QTY.
1	COCKPIT XT TUNDRA COMPLETE TBA	7575	109037	1
2	DRAFT STOP SUBASM XT TUNDRA DETAIL	7567	109011	1
3	PITOT TUBE ASM XT	6449	106497	1
4	SKT BUTTON SCREW M5 X 10 SS 304	5677	106172	4
5	SKT BUTTON SCREW M5 X 16 SS 304	5677	103182	10
6	NUT NYLOC M 5 ZINC	5604	101365	14
7	COCKPIT FRONT BRACKET SUBASM	5755	105553	1



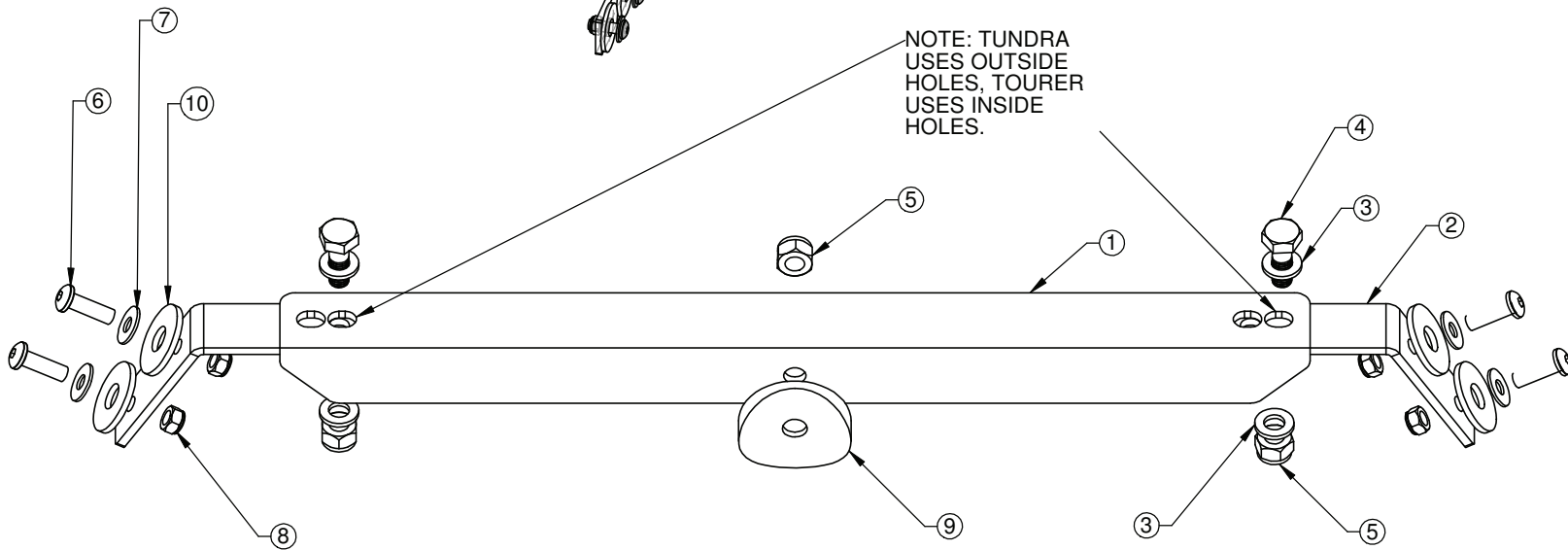
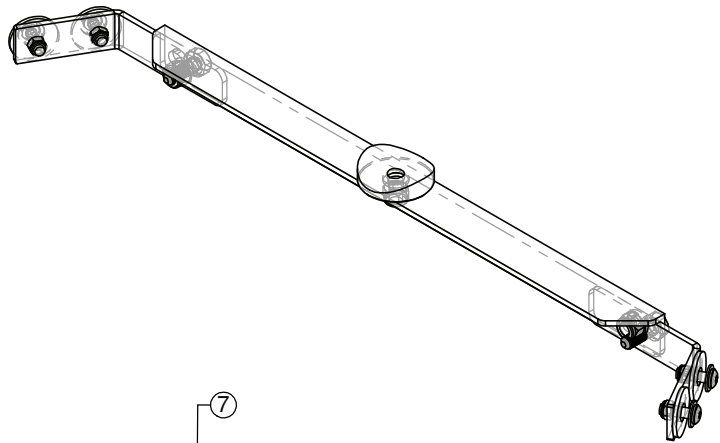
Rev	AMENDMENTS	Date
1	DCR 2344 XT-07 DEV	22-01-08

PART NO. 109010

LAST ACESSED: Wednesday, 26 May 2010
 ALL DIMENSIONS IN MILLIMETERS UNLESS STATED OTHERWISE

POD ASM XT TUNDRA COLOUR			7566 SHEET 1 of 1
Drawn By	Scale	Date	
Stuart	1:10	22-01-08	

ITEM NO.	NAME	DWG	PART NO.	QTY.
1	COCKPIT ANGLE BRKT STRAIGHT	2066	100389	1
2	COCKPIT FRONT MOUNT BRACKET BENT	2067	100390	2
3	WASHER AN4	5540	100042	4
4	BOLT AN4- 6A	5450	100002	2
5	NUT NYLOC AN4 FULL	5535	100034	3
6	SKT BUTTON SCREW M5 X 16 SS 304	5677	103182	4
7	WASHER SS304 3/16 X 1/2IN	5540	100569	4
8	NUT NYLOC M 5 ZINC	5604	101365	4
9	SADDLE 60MM TUBE	7166	100080	1
10	WASHER NYLON M 8 XOD	5540	100820	4



NOTE: TUNDRA USES OUTSIDE HOLES, TOURER USES INSIDE HOLES.

Rev	AMENDMENTS	Date
1	WASHERS REMOVED, FOAM BUFFER ADDED (DCR 2066)	11/11/04
1	DCR 2066 REVERSED. BACK TO ORIGINAL DESIGN	23-01-06

PART NO. 105553 -

LAST ACESSED: Wednesday, 26 May 2010

ALL DIMENSIONS IN MILLIMETERS UNLESS STATED OTHERWISE

COCKPIT FRONT BRACKET SUBASM

Drawn By	Scale	Date
Cris	1:2	25/06/03



5755
SHEET 1 of 1

16 WHEEL SPAT SUBASM LHS TUNDRA MK2 - Drawing # 7514

ITEM NO.	NAME	DWG	PART NO.	QTY.
1	WHEEL SPAT LHS XT TUNDRA MK2 TBA	7511	108810	1
2	SKT BUTTON SCREW M6 X 16 SS304	5677	101752	2
3	SKT BUTTON SCREW M5 X 16 SS 304	5677	103182	4
4	NUT NYLOC M 5 ZINC	5604	101365	4
5	NUT NYLOC M 6 ZINC	5604	102132	2
6	SPRING WASHER 5/8 ZINC	5679	100600	1
7	WASHER SS304 3/16 X 1/2IN	5540	100569	2
8	WASHER SS304 1/4 X 3/4IN	5540	102018	2
9	WASHER NYLON M 6 XOD	5540	101055	4
10	SPAT MOUNT BRACKET XT MK2 TUNDRA	7352	108812	1
11	WASHER SS304 3/16 X 7/16IN	5540	100055	2
12	SPAT AXLE BRACKET XT TUNDRA BLACK	5355	109059	1



PHOTOGRAPH SHOWS INSIDE OF MOUNTED SPAT. NOTE THE ADJUSTING NUT FOR THE AXLE, REQUIRED BECAUSE THE SPAT MOUNT BRACKET MUST BE HORIZONTAL WHEN TIGHT.

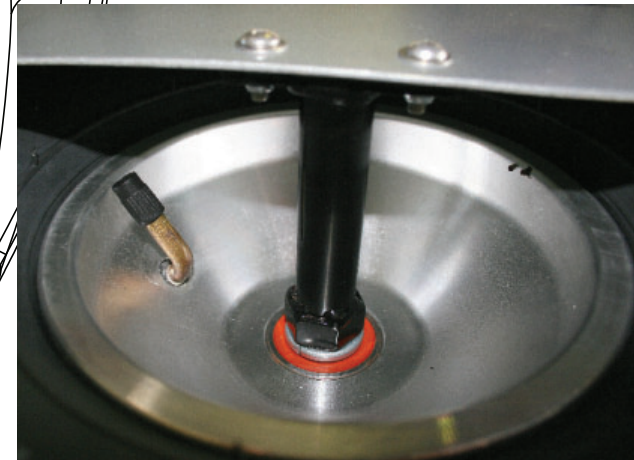
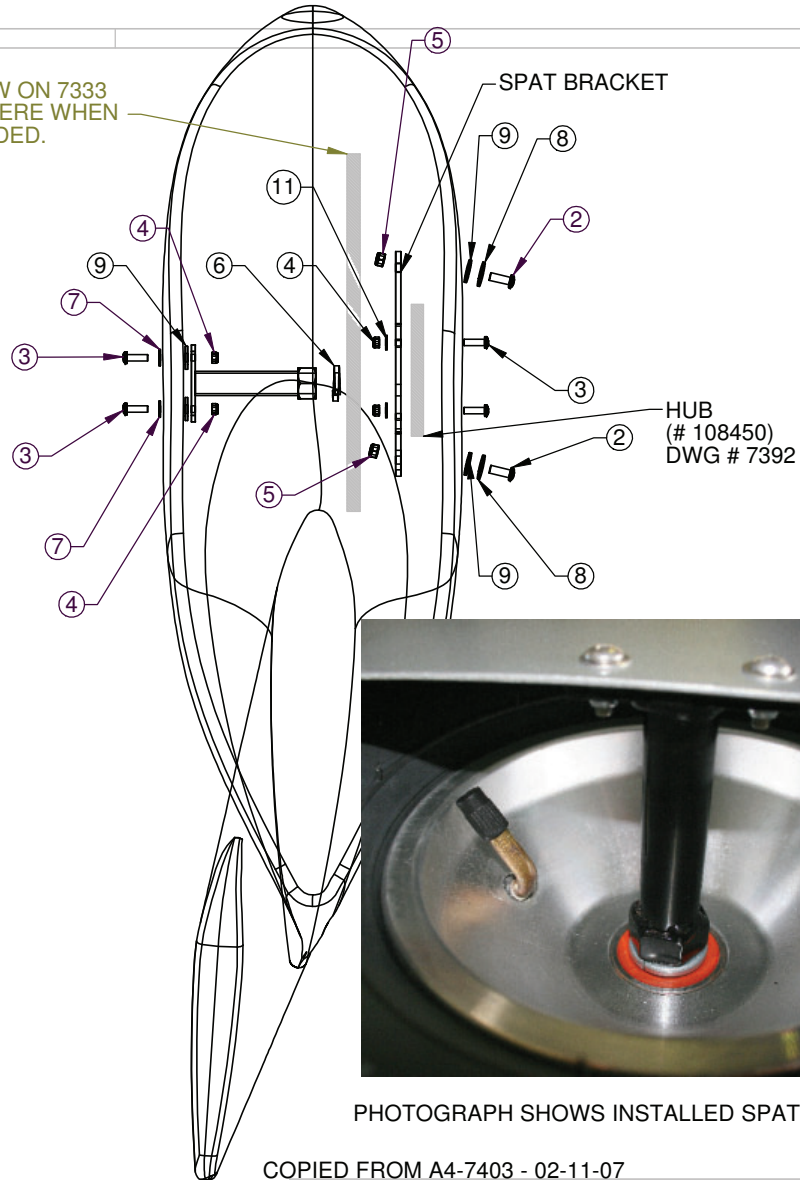
Rev	AMENDMENTS	Date
1	DCR 2344 XT-07 DEV	01-02-08
2	DCR 2359 - REMOVE PLASTIC CAPS	30-04-08
3	DCR 2370 - RETRO KITS ADD PICS	10-06-08

PART NO. 108808 - 0

LAST ACESSED: Wednesday, 26 May 2010

ALL DIMENSIONS IN MILLIMETERS UNLESS STATED OTHERWISE

WHEEL NOW ON 7333 LOCATED HERE WHEN SPAT IS ADDED.



PHOTOGRAPH SHOWS INSTALLED SPAT BRACKET.

COPIED FROM A4-7403 - 02-11-07

WHEEL SPAT SUBASM LHS XT TUNDRA MK2

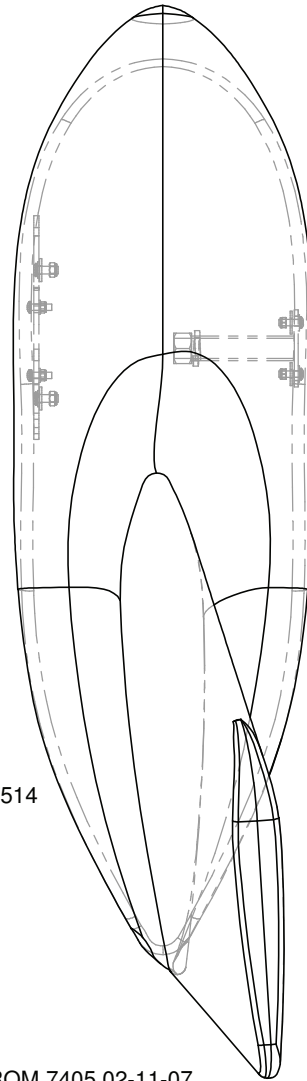
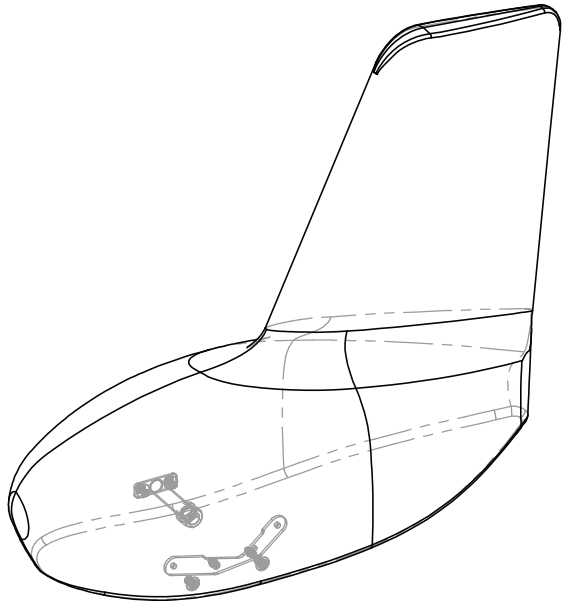
Drawn By	Scale	Date
Simon	1:5	02-11-07



7514 SHEET 1 of 1

17 WHEEL SPAT SUBASM TUNDRA RHS MK2 - Drawing # 7515

ITEM NO.	NAME	DWG	PART NO.	QTY.
1	WHEEL SPAT RHS XT TUNDRA MK2 TBA	7511	108811	1
2	SKT BUTTON SCREW M6 X 16 SS304	5677	101752	2
3	SKT BUTTON SCREW M5 X 16 SS 304	5677	103182	4
4	NUT NYLOC M 5 ZINC	5604	101365	4
5	NUT NYLOC M 6 ZINC	5604	102132	2
6	SPRING WASHER 5/8 ZINC	5679	100600	1
7	WASHER SS304 3/16 X 1/2IN	5540	100569	2
8	WASHER AN4	5540	100042	2
9	WASHER NYLON M 6 XOD	5540	101055	4
10	SPAT MOUNT BRACKET XT MK2 TUNDRA	7352	108812	1
11	WASHER SS304 3/16 X 7/16IN	5540	100055	2
12	SPAT AXLE BRACKET XT TUNDRA BLACK	5355	109059	1



NOTE:
FOR ASSEMBLY SEQUENCE REFER TO DWG # 7514

COPIED FROM 7405 02-11-07

Rev	AMENDMENTS	Date
1	DCR 2344 XT-07 DEV	01-02-08
2	DCR 2359 - REMOVE PLASTIC CAPS	30-04-08

PART NO. 108809 - 0

LAST ACCESSED: Wednesday, 26 May 2010

ALL DIMENSIONS IN MILLIMETERS UNLESS STATED OTHERWISE

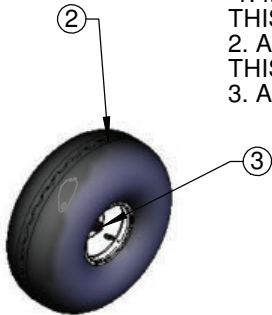
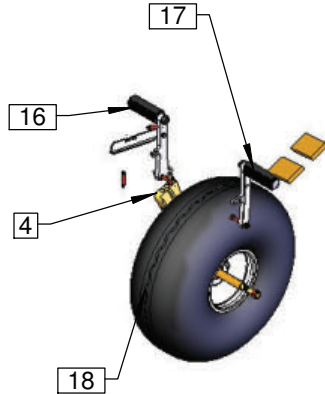
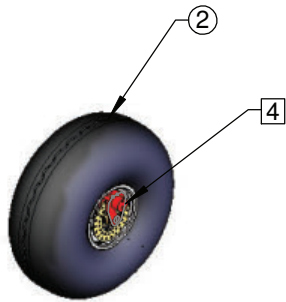
WHEEL SPAT SUBASM RHS XT TUNDRA MK2

Drawn By	Scale	Date
Simon	1:5	02-11-07



7515
SHEET 1 of 1

18 BRAKE KIT DISK XT TUNDRA FITTED	-	Drawing # 7429
18.1 Front Wheel Subasm XT Tundra No Brake	-	Drawing # 7431
18.2 Wheel 6IN Incl Tyre Tundra Disk Brake	-	Drawing # 7408
18.3 Foot Throttle Lever Asm XT Disk Brake	-	Drawing # 7365
18.4 Brake Lever Asm XT Disk Brake	-	Drawing # 7362
18.5 Disk Brake Line Asm	-	Drawing # 7422
18.6 Disk Brake Small Parts For Spares	-	Drawing # 7420



ITEM NO.	NAME	DWG	PART NO.	QTY.
1	BUSH ALLOY 18OD 13ID X 10L	5453	108588	1
2	WHEEL 6IN INCL TYRE TUNDRA DISK BRAKE	7408	108551	2
3	NUT NYLOC UNF 5/8IN ZINC	5506	105444	2
4	DISK BRAKE KIT (WIP) FREE BIRD	7344	108469	1
5	DISK BRAKE LINE ASSEMBLY	7422	108586	1
6	BOLT AN3-21A	5449	101184	1
7	NUT NYLOC AN3 FULL	5535	100051	1
8	WASHER AN3	5540	100049	3
9	SKT CSK SCREW UNF 1/4IN X1IN ZINC	5568	102062	2
10	NUT NYLOC AN4 FULL	5535	100034	2
11	BRAKE FLUID CASTROL TQ DEXRON III	7423	108510	1
12	CABLE TIE (MEDIUM) 140MM	5605	101193	2
13	BOLT AN5-15A	5493	100015	1
14	NUT NYLOC AN5 HALF	5561	100037	1
15	SCOURER GRIT PLUG MASTER CYL VENT 8.8MM	7468	108626	1
16	BRAKE LEVER SUBASM XT GREY DISK BRAKE	7362	108464	1
17	FOOT THROTTLE LEVER ASM XT DISK BRAKE	7365	108466	1
18	FRNT WHEEL SUBKIT XT TUNDRA NO BRAKE	7431	110072	1

NOTE:

1. MORE DETAILED INSTRUCTIONS WILL BE ADDED TO THIS ASSEMBLY AT A LATER DATE.
2. APPROX 200ml OF BRAKE FLUID IS USED TO FILL THE BRAKE SYSTEM, THIS IS REFLECTED IN THE BOM.
3. AN5-15a BOLT AND AN5 HALF NUT ARE ADDED TO THE FORK PIVOT.

PART NO. 108473 - BRAKE KIT DISK XT TUNDRA WHEELS FITTED
 PART NO. 110051 - BRAKE SUBKIT DISK XT TUNDRA WHEELS (SHEET 2)

COPIED FROM A4-7416, 30-04-07

Rev	AMENDMENTS	Date
1	DCR 2312, ADD PIVOT BOLT AND NUT	27-06-07
2	DCR 2436 - 582 XT KIT	26-02-10

LAST ACESSED: Wednesday, 26 May 2010
 ALL DIMENSIONS IN MILLIMETERS UNLESS STATED OTHERWISE

BRAKE KIT DISK XT TUNDRA WHEELS FITTED

Drawn By	Scale	Date
Simon	1:15	30-04-07



7429
 SHEET 1 of 2

ITEM NO.	NAME	DWG	PART NO.	QTY.
1	BUSH ALLOY 18OD 13ID X 10L	5453	108588	1
2	WHEEL & TYRE SUBKIT TUNDRA DISK BRAKE	7408	110070	2
3	NUT NYLOC UNF 5/8IN ZINC	5506	105444	2
4	DISK BRAKE KIT (WIP) FREE BIRD	7344	108469	1
5	DISK BRAKE LINE SUBKIT	7422	110071	1
6	BOLT AN3-21A	5449	101184	1
7	NUT NYLOC AN3 FULL	5535	100051	1
8	WASHER AN3	5540	100049	3
9	SKT CSK SCREW UNF 1/4IN X1IN ZINC	5568	102062	2
10	NUT NYLOC AN4 FULL	5535	100034	2
11	BRAKE FLUID CASTROL TQ DEXRON III	7423	108510	1
12	CABLE TIE (MEDIUM) 140MM	5605	101193	2
13	BOLT AN5-15A	5493	100015	1
14	NUT NYLOC AN5 HALF	5561	100037	1
15	SCOURER GRIT PLUG MASTER CYL VENT 8.8MM	7468	108626	1
16	BRAKE LEVER SUBASM XT GREY DISK BRAKE	7362	108464	1
17	FOOT THROTTLE LEVER ASM XT DISK BRAKE	7365	108466	1
18	FRNT WHEEL SUBKIT XT TUNDRA NO BRAKE	7431	110072	1



PART NO. 110051 - BRAKE SUBKIT DISK XT TUNDRA WHEELS

Rev	AMENDMENTS	Date

LAST ACESSED: Wednesday, 26 May 2010
 ALL DIMENSIONS IN MILLIMETERS UNLESS STATED OTHERWISE

BRAKE SUBKIT DISK XT TUNDRA WHEELS

Drawn By	Scale	Date
Simon	1:15	26-02-10

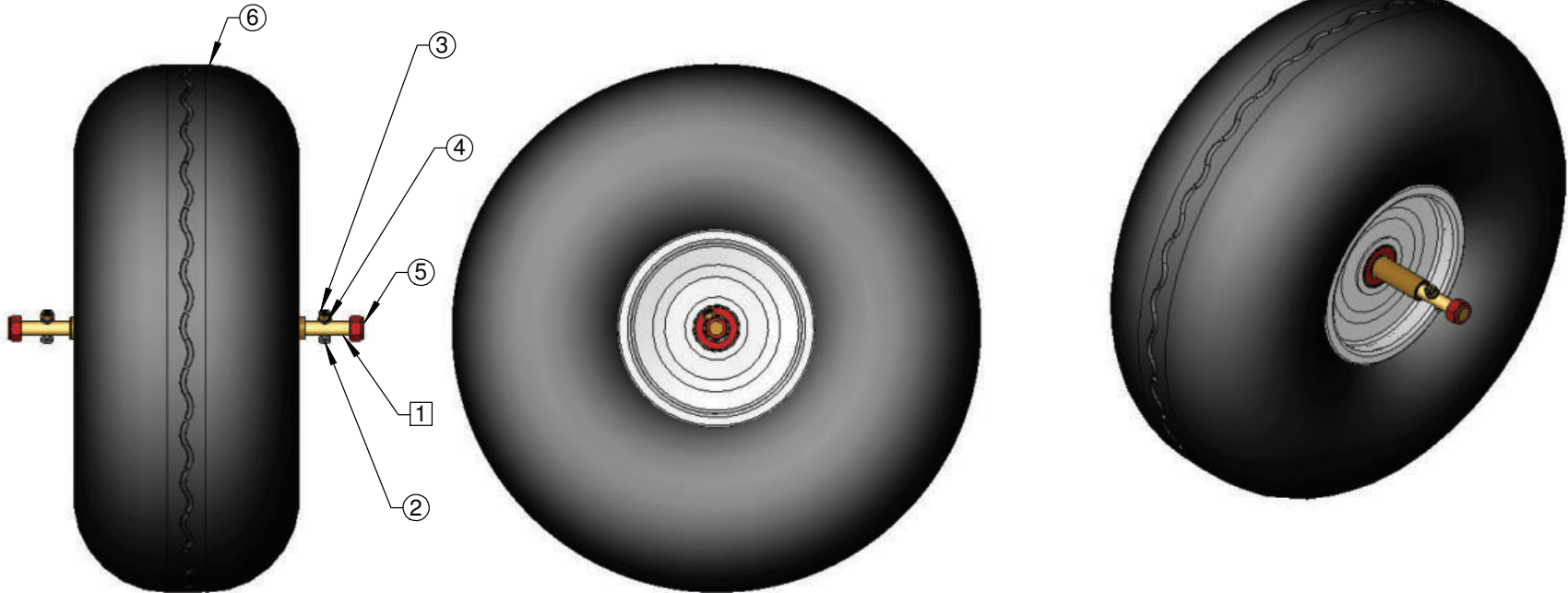


7429
SHEET 2 of 2

KIT BOM - PART NO. 110072

ITEM NO.	NAME	DWG	PART NO.	QTY.
1	AXLE ASM FRNT EDGE XT TUNDRA NO BRAKE	7430	108566	1
2	BOLT AN3-10A	5449	102927	2
3	NUT NYLOC AN3 FULL	5535	100051	2
4	WASHER AN3	5540	100049	2
5	NUT NYLOC M12 FINE ZINC	5604	103612	2
6	WHEEL & TYRE SUBKIT TUNDRA FOR NO BRAKE	6979	110073	1

ITEM NO.	NAME	DWG	PART NO.	QTY.
1	AXLE ASM FRNT EDGE XT TUNDRA NO BRAKE	7430	108566	1
2	BOLT AN3-10A	5449	102927	2
3	NUT NYLOC AN3 FULL	5535	100051	2
4	WASHER AN3	5540	100049	2
5	NUT NYLOC M12 FINE ZINC	5604	103612	2
6	WHEEL 6IN INCL TYRE TUNDRA FOR NO BRAKE	6979	108119	1



PART NO. 108565 - FRNT WHEEL SUBASM XT TUNDRA NO BRAKE
 PART NO. 110072 - FRNT WHEEL SUBKIT XT TUNDRA NO BRAKE (NOT ASSEMBLED)

COPIED FROM A4-6976, 30-04-07

Rev	AMENDMENTS	Date
1	DCR 2436 - 582 XT KIT	26-02-10

LAST ACESSED: Wednesday, 26 May 2010
 ALL DIMENSIONS IN MILLIMETERS UNLESS STATED OTHERWISE

FRNT WHEEL SUBASM XT TUNDRA NO BRAKE

Drawn By	Scale	Date
Simon	1:5	30-04-07



7431
 SHEET 1 of 1

ITEM NO.	NAME	DWG	PART NO.	QTY.
1	WHEEL RIM 6IN FOR DISK BRAKES ASM	7458	108674	1
2	TYRE 6IN X 8.00 TUNDRA	5558	105244	1
3	TUBE INNER 6IN SUIT TYRE 8.00X6	5653	105250	1

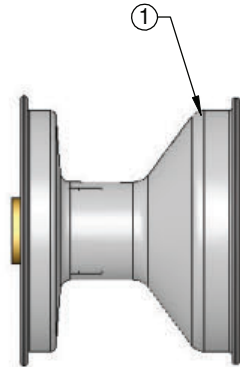


PHOTO SHOWS SOAPY WATER ON THE RIM. AIDS INSTALL AND SEATING OF THE TYRE.



PHOTO SHOWS CLAMP USED TO RETAIN VALVE WHILE INNER TUBE IS INSTALLED.

BOM IS THE SAME FOR BOTH PARTS.
 PART NO. 108551 - WHEEL 6IN INCL TYRE TUNDRA DISK BRAKE
 PART NO. 110070 - WHEEL & TYRE SUBKIT TUNDRA DISK BRAKE (NOT ASSEMBLED)

Rev	AMENDMENTS	Date
1	DCR 2310 - CHG ASM SEQ, ADD 108674	25-06-07
2	DCR 2436 - 582 XT KIT	26-02-10

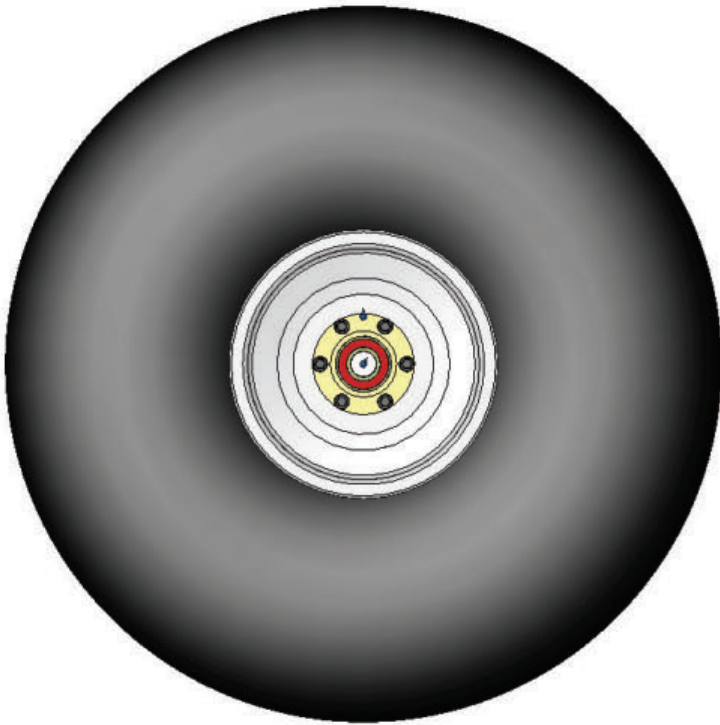
LAST ACESSED: Wednesday, 26 May 2010
 ALL DIMENSIONS IN MILLIMETERS UNLESS STATED OTHERWISE

WHEEL 6IN INCL TYRE TUNDRA DISK BRAKE

Drawn By	Scale	Date
Simon	1:4	05-04-07



7408
SHEET 1 of 2



PART NO. 108551

LAST ACESSED: Wednesday, 26 May 2010
 ALL DIMENSIONS IN MILLIMETERS UNLESS STATED OTHERWISE

WHEEL 6IN INCL TYRE TUNDRA DISK BRAKE

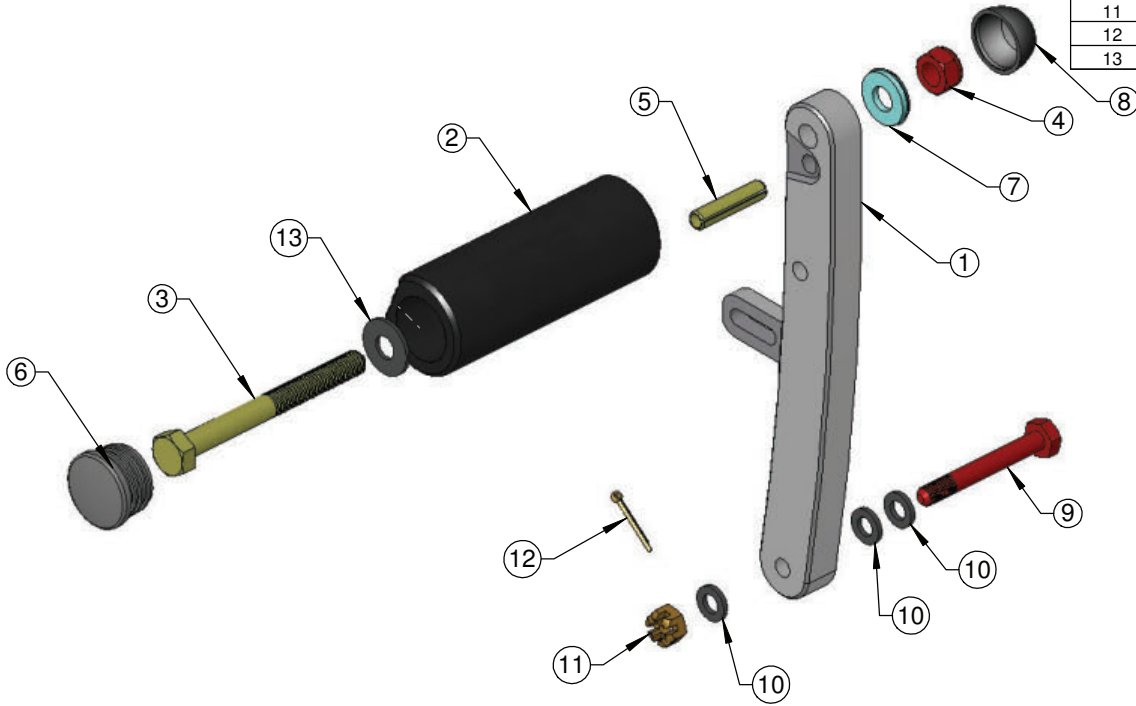
Drawn By	Scale	Date
Simon	1:4	02/03/03



7408
 SHEET 2 of 2

Rev	AMENDMENTS	Date

ITEM NO.	NAME	DWG	PART NO.	QTY.
1	FOOT THROTTLE LEVER TYPE AL XT	7364	108467	1
2	FOOT LEVER ACETAL TOP ARM	7361	108477	1
3	BOLT 8.8 GR M 8X 80 ZINC PLATED	5935	100908	1
4	NUT NYLOC M 8 ZINC	5604	100915	1
5	ROLL PIN 1/4 X 1 1/8IN	5516	102356	1
6	CAP ROUND TUBE CLOSURE 1IN	5633	103225	1
7	CAP WASHER BASE CLIP M8	5667	100604	1
8	CAP WASHER COVER BLACK M8	5666	100603	1
9	BOLT AN4-20	5450	105330	1
10	WASHER NYLON 1/4IN OBA THICK	5540	102424	3
11	NUT CASTLE AN4	6297	100040	1
12	SPLIT PIN M2.0 X 20	6296	100308	1
13	WASHER SS 304 5/16 X 3/4IN	5540	102332	1



Rev	AMENDMENTS	Date

PART NO. 108466

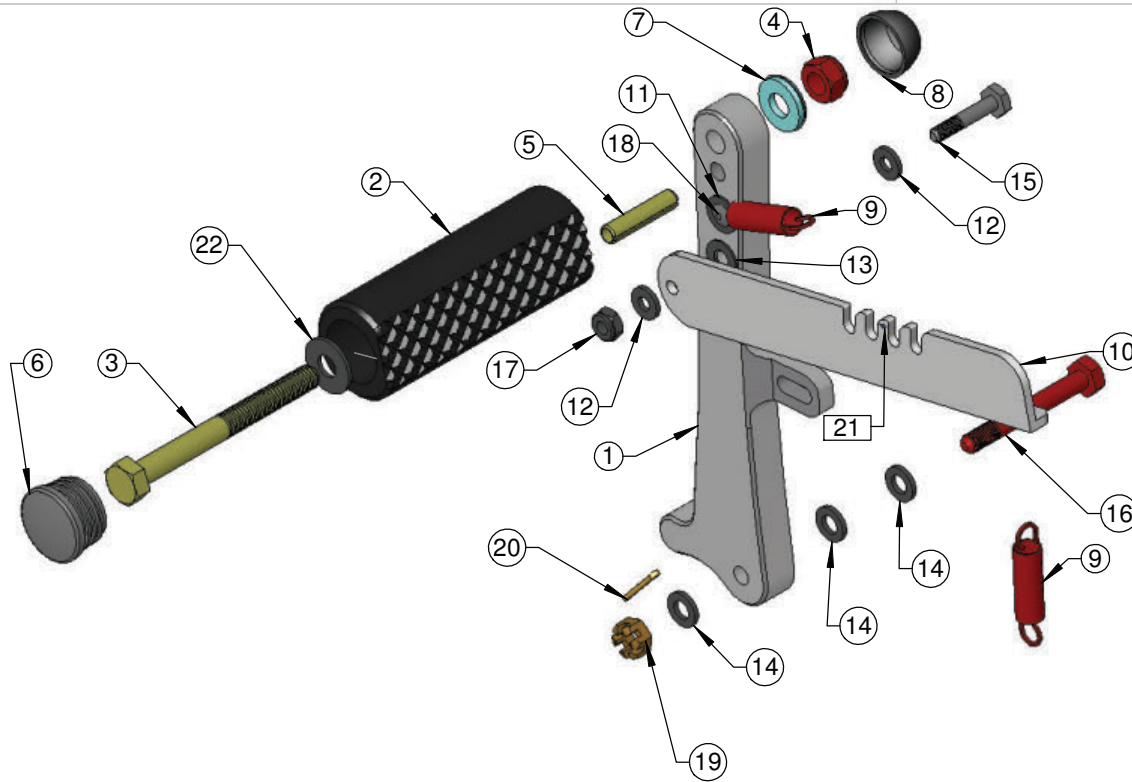
LAST ACESSED: Wednesday, 26 May 2010
 ALL DIMENSIONS IN MILLIMETERS UNLESS STATED OTHERWISE

FOOT THROTTLE LEVER ASM XT DISK BRAKE

Drawn By	Scale	Date
Simon	1:2	27-02-07



7365
 SHEET 1 of 1



ITEM NO.	NAME	DWG	PART NO.	QTY.
1	BRAKE LEVER FOOT TYPE AL XT	7359	108465	1
2	FOOT LEVER ACETAL TOP ARM	7361	108477	1
3	BOLT 8.8 GR M 8X 80 ZINC PLATED	5935	100908	1
4	NUT NYLOC M 8 ZINC	5604	100915	1
5	ROLL PIN 1/4 X 1 1/8IN	5516	102356	1
6	CAP ROUND TUBE CLOSURE 1IN	5633	103225	1
7	CAP WASHER BASE CLIP M8	5667	100604	1
8	CAP WASHER COVER BLACK M8	5666	100603	1
9	SPRING TENSION T56 - FOOT LEVERS	5556	104779	2
10	PARK BRAKE LEVER	5562	104702	1
11	WASHER SS304 3/16 X 1/2IN	5540	100569	1
12	WASHER AN3	5540	100049	2
13	WASHER NYLON 1/4IN OBA THIN	5540	103961	1
14	WASHER NYLON 1/4IN OBA THICK	5540	102424	3
15	BOLT AN3-10A	5449	102927	1
16	BOLT AN4-20	5450	105330	1
17	NUT NYLOC AN3 HALF	5561	101334	1
18	POP RIVET 5/32 MED 5-5	5515	100161	1
19	NUT CASTLE AN4	6297	100040	1
20	SPLIT PIN M2.0 X 20	6296	100308	1
21	DRI LUBE SOLID LUBRICANT 27GRAMS	5637	106432	1
22	WASHER SS 304 5/16 X 3/4IN	5540	102332	1



PHOTO SHOWS SPRINGS AND DRI LUBE INSTALLED CORRECTLY.

Rev	AMENDMENTS	Date

PART NO. 108464

LAST ACESSED: Wednesday, 26 May 2010
 ALL DIMENSIONS IN MILLIMETERS UNLESS STATED OTHERWISE

BRAKE LEVER SUBASM XT GREY DISK BRAKE

Drawn By	Scale	Date
Simon	1:2	27-02-07



7362
SHEET 1 of 1

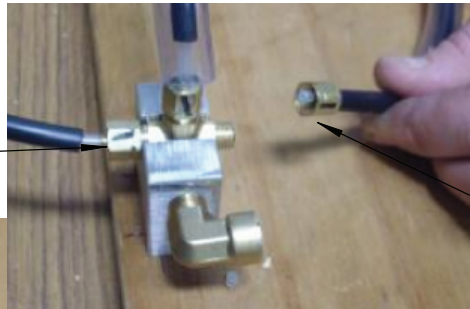
PHOTOS SHOW BRAKE LINE ASSEMBLY
(PLUS OTHER PARTS TO SHOW ASSEMBLY CONTEXT)

NOTE: THIS IS A VIRTUAL ASSEMBLY
QUANTITIES OF HOSE USED:

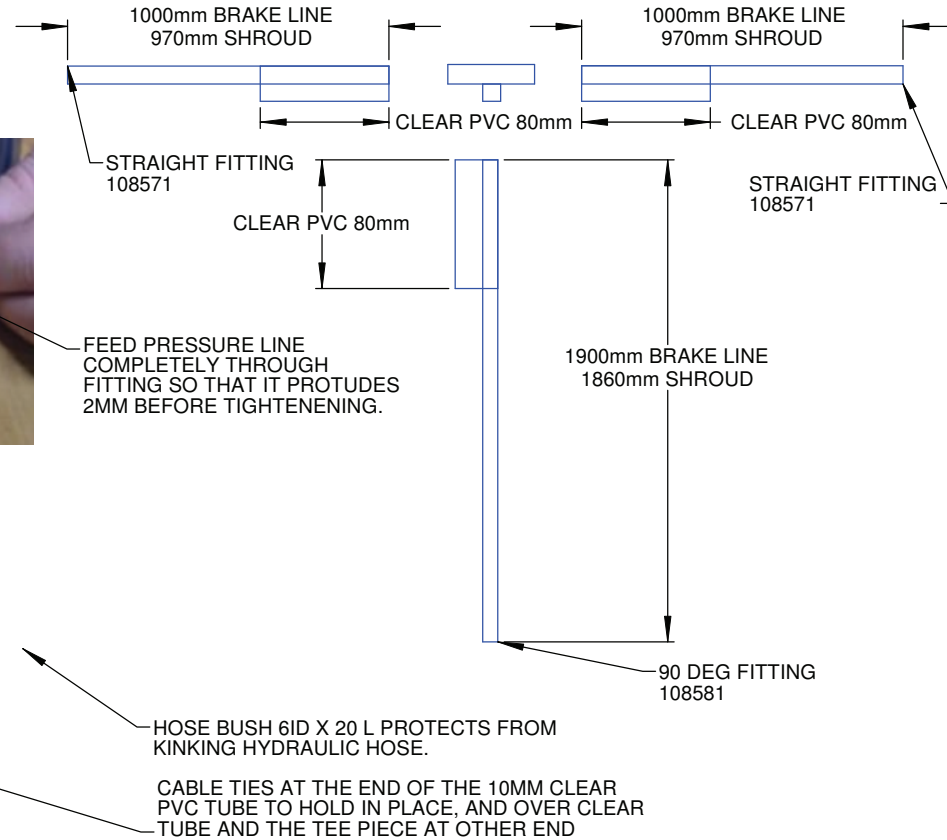
1. 108585 - PVC TUBE BLACK FOR BRAKE LINE SLEEVE X 3.8M TOTAL
2. 108568 - BRAKE LINE HOSE FBI NO 44743 X 3.9M TOTAL
3. 104561 - PVC TUBE CLEAR 10MM X 0.24M TOTAL

ALL ENDS AND FITTINGS
ARE CRIMPED DURING
ASSEMBLY.

AFTER FITTINGS ARE
TIGHTENED MRK
FITTINGS WITH A
PERMANENT MARKER TO
CONFIRM THEY ARE
TIGHT.



ITEM NO.	NAME	DWG	PART NO.	QTY.
1	PVC TUBE BLACK FOR BRAKE LINE SLEEVE	7421	108585	1
2	DISK BRAKE COMP FIT 1/8 NPT 90 FBI 44840	7420	108581	1
3	DISK BRAKE COMP FIT 1/8 NPT ST FBI 44756	7420	108571	2
4	DISK BRAKE COMPFIT 1/8 NPT TEE FBI 44769	7420	108578	1
5	BRAKE LINE HOSE FBI NO 44743	7420	108703	1
6	PVC TUBE CLEAR 10MM	7421	104561	1
7	CABLE TIE (MEDIUM) 140MM	5605	101193	6
8	HOSE BUSH 6ID X 20L	5726	108587	1



BOM IS THE SAME FOR BOTH PARTS.
PART NO. 108586 - DISK BRAKE LINE ASSEMBLY
PART NO. 110071 - DISK BRAKE LINE SUBKIT

Rev	AMENDMENTS	Date
1	DCR 2316 CHG PRT # OF BRAKE LINE	20-07-07
2	DCR 2436 - 582 XT KIT	26-02-10

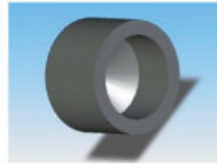
LAST ACESSED: Wednesday, 26 May 2010
ALL DIMENSIONS IN MILLIMETERS UNLESS STATED OTHERWISE

DISK BRAKE LINE ASSEMBLY

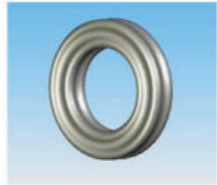
Drawn By	Scale	Date
Simon	1:2	19-04-07



7422
SHEET 1 of 1



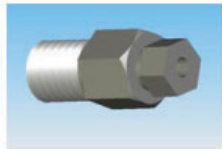
Caliper Piston
Code: 44740



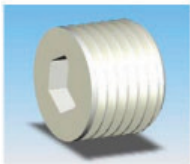
Master cylinder O-ring
Code: 44749



Outer Brake Pad
Code: 44753



Compression Fitting
Code: 44756



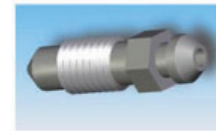
1/4" Plug
Code: 44758



Vent Plug
Code: 44759



Return Spring
Code: 44761



Bleeder screw
Code: 44767



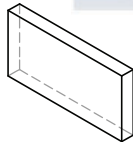
1/8" Plug
Code: 44760



Caliper O-ring
Code: 44765



Tee Fitting
Code: 44769



THESE ARE VIRTUAL PARTS

ITEM NO.	PART NO.	NAME	MATERIAL DESCRIPTION	MATL. NO.	REQD
1	108567	BRAKE CALIPER PISTON FBI NO 44740	NA	NA	NA
1	108703	BRAKE LINE HOSE FBI NO 44743	NA	NA	NA
1	108569	O-RING BX BRAKE MASTER CYL FBI NO 44749	NA	NA	NA
1	108570	BRAKE PAD OUTER BX FBI NO 44753	NA	NA	NA
1	108571	DISK BRAKE COMP FIT 1/8 NPT ST FBI 44756	NA	NA	NA
1	108572	PLUG MASTER CYL BX 1/4" NPT FBI 44758	NA	NA	NA
1	108573	PLUG MASTER CYL VENT 1/4" NPT FBI 44759	NA	NA	NA
1	108574	PLUG MASTER CYL BX 1/8" NPT FBI 44760	NA	NA	NA
1	108575	BRAKE MAST CYL RTN SPRING STD FBI 44761	NA	NA	NA
1	108576	O-RING BRAKE CALIPER PISTON FBI 44765	NA	NA	NA
1	108577	SCREW BRAKE BLEEDER FBI 44767	NA	NA	NA
1	108578	DISK BRAKE COMPFIT 1/8 NPT TEE FBI 44769	NA	NA	NA

PART NO. 108567

DISK BRAKE PARTS FROM FBI

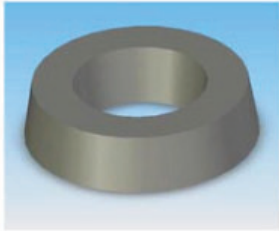
Rev	AMENDMENTS	Date
1	DCR 2316 - CHG PART # OF BRAKE LINE	20-07-07
2	DCR 2414 REPLACE #108582&108583 WITH #109563	03-03-09

LAST ACESSED: Wednesday, 26 May 2010
ALL DIMENSIONS IN MILLIMETERS UNLESS STATED OTHERWISE

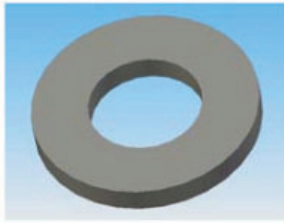
Drawn By	Scale	Date
Simon	1:4	19-04-07



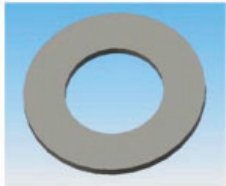
7420
SHEET 1 of 2



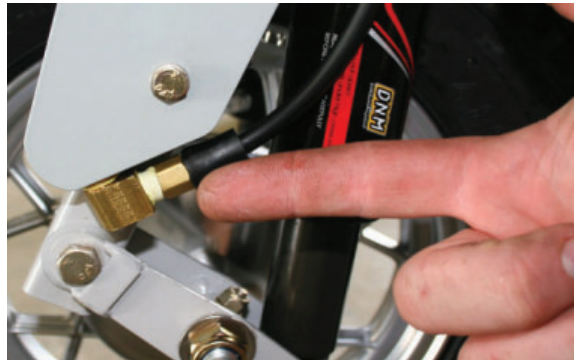
Cup Seal
Code: **44776**



Cup Seal Washer
Code: **44777**



AN10 Washer
Code: **AN960-1016**



FBI PART NO 44840 90 DEG FITTING

PART NO. 108579

LAST ACESSED: Wednesday, 26 May 2010
ALL DIMENSIONS IN MILLIMETERS UNLESS STATED OTHERWISE

ITEM NO.	PART NO.	NAME	MATERIAL DESCRIPTION	MATL.NO.	REQD
1	108579	MASTER CYLINDER CUP SEAL FBI NO 44776	NA	NA	NA

ITEM NO.	PART NO.	NAME	MATERIAL DESCRIPTION	MATL.NO.	REQD
1	108580	MASTER CYL CUP SEAL WASHER FBI 44777	NA	NA	NA

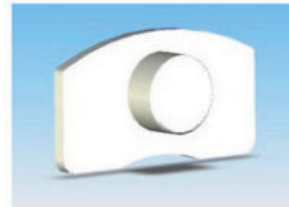
ITEM NO.	PART NO.	NAME	MATERIAL DESCRIPTION	MATL.NO.	REQD
1	108581	DISK BRAKE COMP FIT 1/8 NPT 90 FBI 44840	NA	NA	NA

ITEM NO.	PART NO.	NAME	MATERIAL DESCRIPTION	MATL.NO.	REQD
1	108582	BRAKE PAD DISK BX INNER FBI 44751-1	NA	NA	NA

ITEM NO.	PART NO.	NAME	MATERIAL DESCRIPTION	MATL.NO.	REQD
1	108583	BRAKE PAD INNER PLATE FBI NO 44752-1	NA	NA	NA

ITEM NO.	PART NO.	NAME	MATERIAL DESCRIPTION	MATL.NO.	REQD
1	108584	WASHER AN10 FBI NO AN960-1016	NA	NA	NA

ITEM NO.	PART NO.	NAME	MATERIAL DESCRIPTION	MATL.NO.	REQD
1	109563	BRAKE PAD INNER INCL PLATE BX FBI 44931	NA	NA	NA



Inner Brake Pad
Code: **44751-1**



Inner brake pad backing plate
Code: **44752-1**



PART # 109563
BRAKE PAD INNER INCL PLATE BX FBI 44931

Rev	AMENDMENTS	Date
2	DCR 2414 REPLACE #108582&108583 WITH #109563	03-03-09

DISK BRAKE PARTS FROM FBI

Drawn By	Scale	Date
Simon	1:2	19-04-07



7420
SHEET 2 of 2

19 BRAKE KIT DRUM XT TUNDRA FITTED -

Drawing # 7433

19.1 Frnt Wheel Subasm XT Tundra Drum Brake-

Drawing # 7434

19.2 Foot Throttle Lever Asm XT Drum Brake -

Drawing # 6774

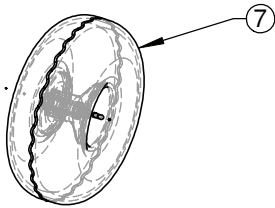
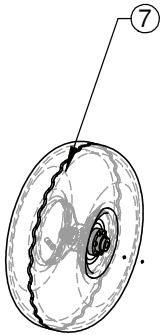
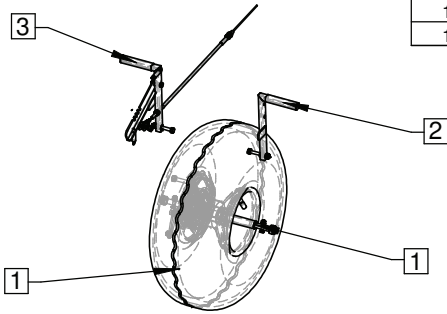
19.3 Brake Lever Subasm XT Grey Drum Brake -

Drawing # 5550

19.4 Wheel 6IN Incl Tyre Tundra Drum Brake -

Drawing # 6369

ITEM NO.	NAME	DWG	PART NO.	QTY.
1	FRNT WHEEL SUBASM XT TUNDRA DRUM BRAKE	7434	108605	1
2	FOOT THROTTLE LEVER ASM XT DRUM BRAKE	6774	107046	1
3	BRAKE LEVER SUBASM TUNDRA GREY	5550	108109	1
4	NUT NYLOC UNF 5/8IN ZINC	5506	105444	2
5	SPRING WASHER 5/8 ZINC	5679	100600	2
6	BUSH ALLOY 30OD X 5/8"ID X 9L	5453	108589	2
7	WHEEL 6IN INCL TYRE TUNDRA DISK BRAKE	7408	108551	2
8	BOLT AN5-20A	5493	100016	1
9	BRAKE STOP PIN - TUNDRA	5451	106258	1
10	WASHER SS 304 5/16 X 3/4IN	5540	102332	1
11	NUT NYLOC AN5 HALF	5561	100037	1



NOTE:
1. AN5-15a BOLT SS SPACER WASHER AND AN5 HALF NUT ARE ADDED TO THE FORK PIVOT.

COPIED FROM A4-7418, 30-04-07

Rev	AMENDMENTS	Date
1	DCR 2312, ADD FORK PIVOT PARTS	27-06-07

PART NO. 108420

LAST ACESSED: Wednesday, 26 May 2010
ALL DIMENSIONS IN MILLIMETERS UNLESS STATED OTHERWISE

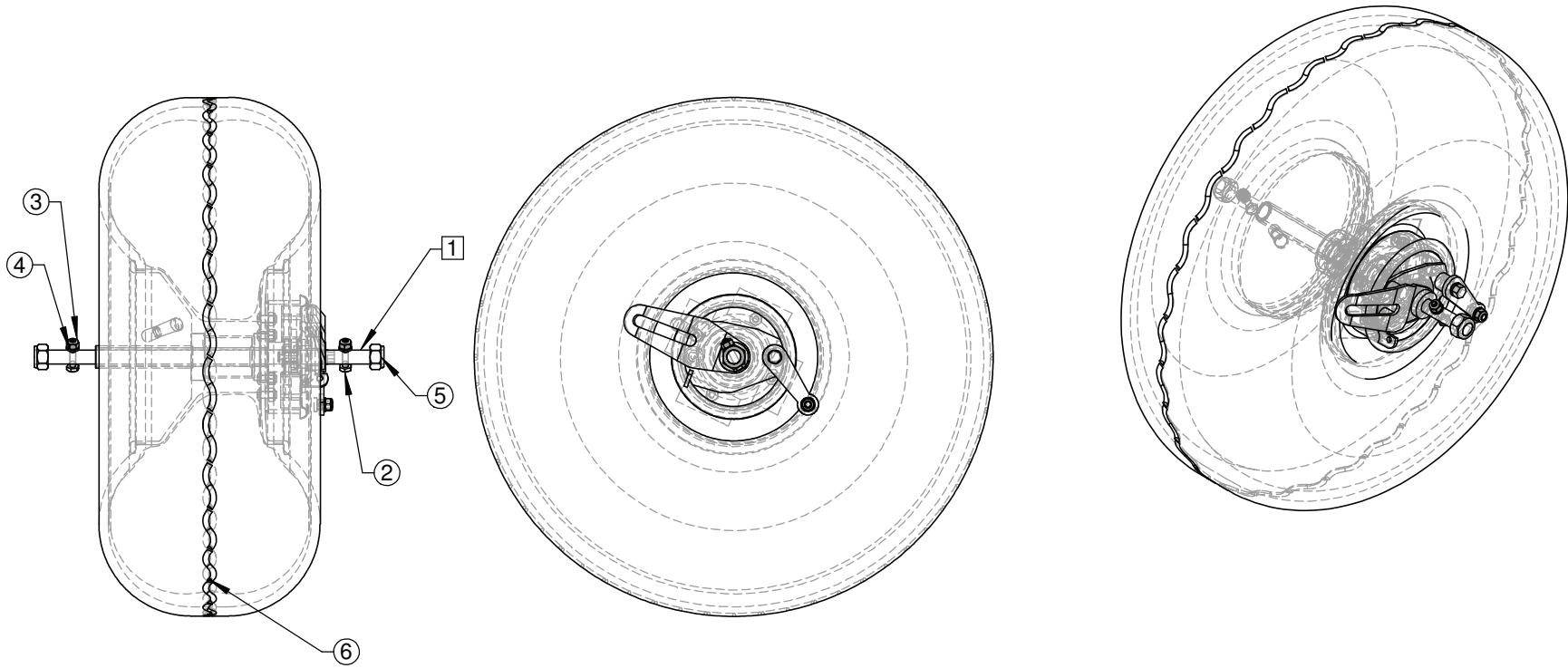
BRAKE KIT DRUM XT TUNDRA WHEELS FITTED

Drawn By	Scale	Date
Simon	1:15	30-04-07



7433
SHEET 1 of 1

ITEM NO.	NAME	DWG	PART NO.	QTY.
1	AXLE ASM FRNT EDGE X-XT TUNDRA DRUM BRKE	6977	108116	1
2	BOLT AN3-10A	5449	102927	2
3	NUT NYLOC AN3 FULL	5535	100051	2
4	WASHER AN3	5540	100049	2
5	NUT NYLOC M12 FINE ZINC	5604	103612	2
6	WHEEL 6IN INCL TYRE TUNDRA DRUM BRAKE	6369	106261	1



COPIED FROM A4-6976, 30-04-07

FRNT WHEEL SUBASM XT TUNDRA DRUM BRAKE

Drawn By	Scale	Date
Simon	1:5	30-04-07

AirBorne
AUSTRALIA

7434
SHEET 1 of 1

PART NO. 108605

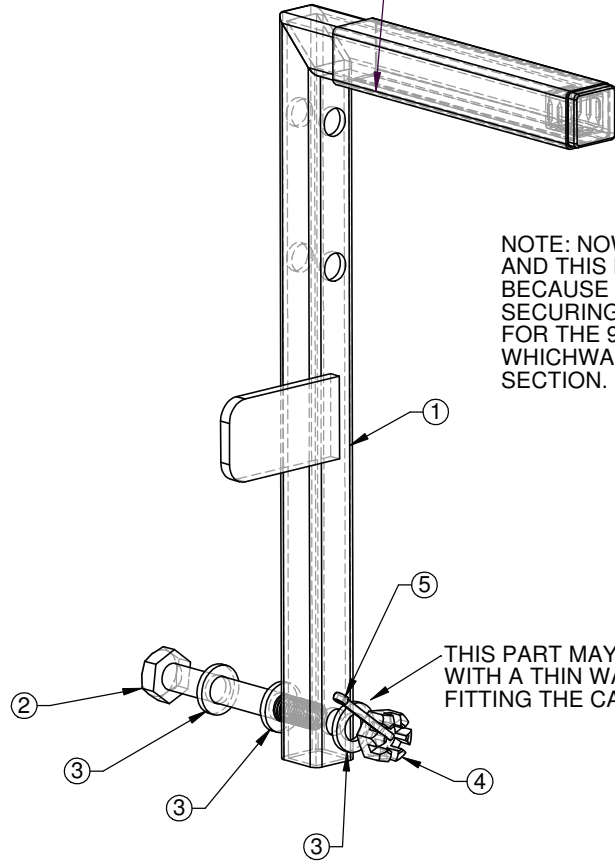
LAST ACESSED: Wednesday, 26 May 2010

ALL DIMENSIONS IN MILLIMETERS UNLESS STATED OTHERWISE

Rev	AMENDMENTS	Date

ITEM NO.	NAME	DWG	PART NO.	QTY.
1	FOOT THROTTLE LEVER 3 HOLE GRY INC FITS	6972	107227	1
2	BOLT AN4-20	5450	105330	1
3	WASHER NYLON 1/4IN OBA THICK	5540	102424	3
4	NUT CASTLE AN4	6297	100040	1
5	SPLIT PIN M2.0 X 20	6296	100308	1

CABLE GOES BETWEEN WASHERS FOR THROTTLE CABLE, FOR DETAILS SEE TC A4-5425 FOR XT-912 SEE TC A4-6766 FOR XT-582



NOTE: NOW HARDWARE IS MOVED TO THROTTLE CABLE ASM AND THIS PART IS USED FOR BOTH 582 AND 912 TRIKES. BECAUSE IT IS THE SAME EXCEPT FOR POSITION OF CABLE SECURING BOLT. FOR THE 912 THIS PART REPLACES THE OLD PART # 105319, WHICH WAS MADE WITH ONLY ONE HOLE IN THE VERTICAL SECTION. SEE DCR 2261.

NOTE PART # 108110 IS NOW OBSOLETE, SAME PART # USED FOR THE 912 AND 582 XT MODELS, POSITION OF THE CABLE SECURING BOLT IS PART OF THE ASSEMBLY PROCESS AT A HIGHER LEVEL.

Rev	AMENDMENTS	Date
1	DCR 2159, GENERIC THROTTLE TYPE	03-06-05
2	DCR 2260, TUNDRA XT	15-09-06
3	DCR 2261, ALL THROTT VERTS 3 HOLE	15-09-06
4	DCR 2283 ASM RESTURCTURE, RENAME, OBSOLETE 108110.	06-12-06

PART NO. 107046 - FOR ALL XT SERIES

LAST ACESSED: Wednesday, 26 May 2010
ALL DIMENSIONS IN MILLIMETERS UNLESS STATED OTHERWISE

FOOT THROTTLE LEVER ASSEM XT 3 HOLE

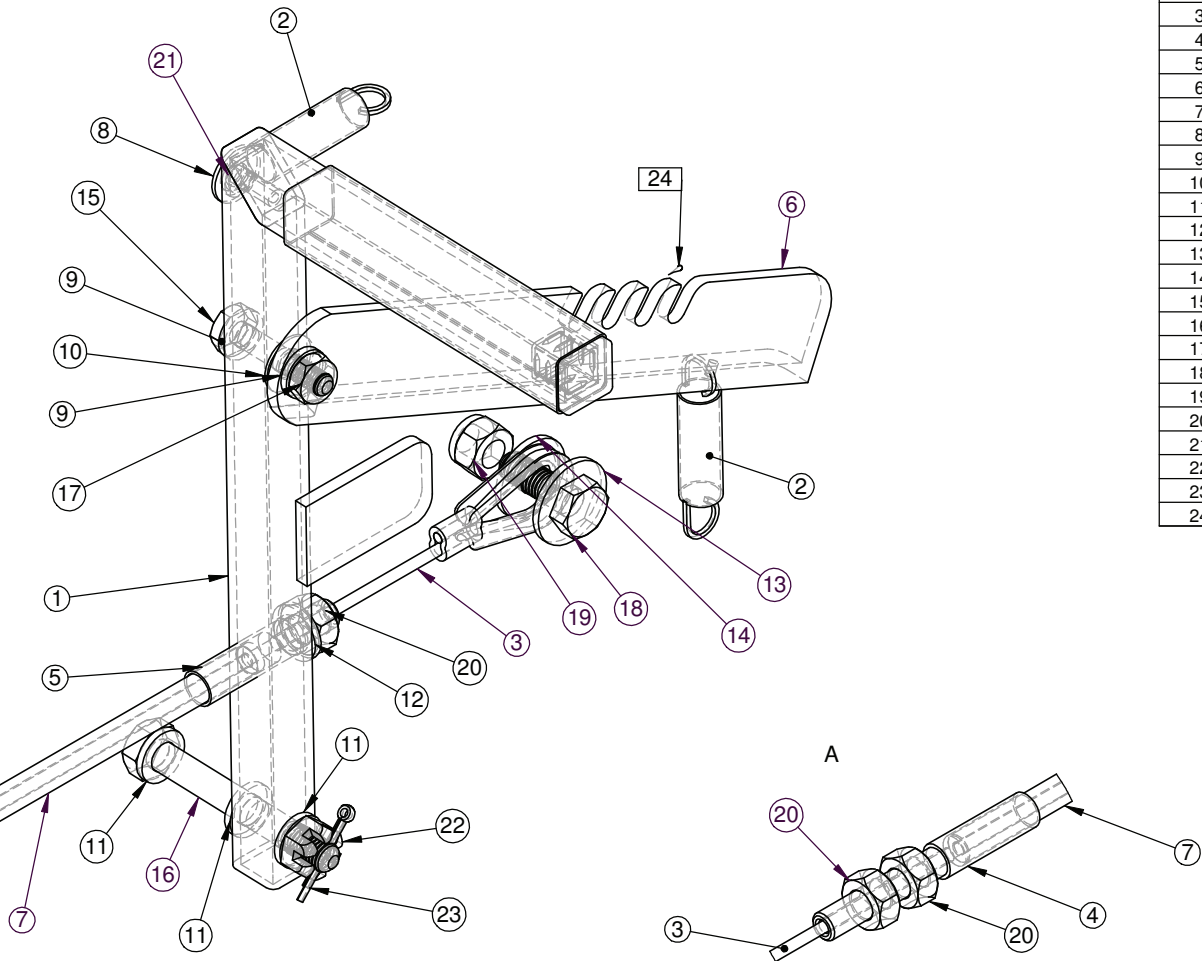
Drawn By	Scale	Date
Cris	1:1.5	01/03/05



6774
SHEET 1 of 2



ITEM NO.	NAME	DWG	PART NO.	QTY.
1	BRAKE LEVER FOOT TYPE 2 XT GREY	5548	105278	1
2	SPRING TENSION T56 - FOOT LEVERS	5556	104779	2
3	BRAKE CABLE INNER EDGE X/XT	5573	102906	1
4	CABLE ADJUSTING SCREW 6.35 OUTER	5559	102222	1
5	CABLE ADJUSTER FRONT BRAKE	5559	102904	1
6	PARK BRAKE LEVER	5562	104702	1
7	CASING CABLE 6.35D X 325L BRAKE EDGE	5581	102905	1
8	WASHER SS304 3/16 X 1/2IN	5540	100569	1
9	WASHER AN3	5540	100049	2
10	WASHER NYLON 1/4IN OBA THIN	5540	103961	1
11	WASHER NYLON 1/4IN OBA THICK	5540	102424	3
12	WASHER AN4	5540	100042	1
13	WASHER SS304 1/4 X 3/4IN	5540	102018	1
14	WASHER NYLON M 6 XOD	5540	101055	1
15	BOLT AN3-10A	5449	102927	1
16	BOLT AN4-20	5450	105330	1
17	NUT NYLOC AN3 HALF	5561	101334	1
18	BOLT AN4- 6A	5450	100002	1
19	NUT NYLOC AN4 FULL	5535	100034	1
20	NUT UNF 1/4IN ZINC PLATED	5506	103157	3
21	POP RIVET 5/32 MED 5-5	5515	100161	1
22	NUT CASTLE AN4	6297	100040	1
23	SPLIT PIN M2.0 X 20	6296	100308	1
24	DRI LUBE SOLID LUBRICANT 27GRAMS	5637	106432	1



WHEEL END OF CABLE

UPDATE GJP FORMS WITH REV CHANGE

Rev	AMENDMENTS	Date
1	CASTLE NUT/SPLIT PIN, OBA THICK WASHER (DCR2007)	27/08/04
2	DCR 2191, MOVED PARTS TO DWG 6878, 6877, 6881	04-11-05
3	DCR 2196, MOVED PARTS TO DWG 5548	23-11-05
4	DCR 2204, ADD DRI LUBE	20-01-06
5	DCR 2260, TUNDRA XT ADDED	15-09-06

PART NO. 105279 -
 LAST ACESSED: Wednesday, 26 May 2010
 ALL DIMENSIONS IN MILLIMETERS UNLESS STATED OTHERWISE

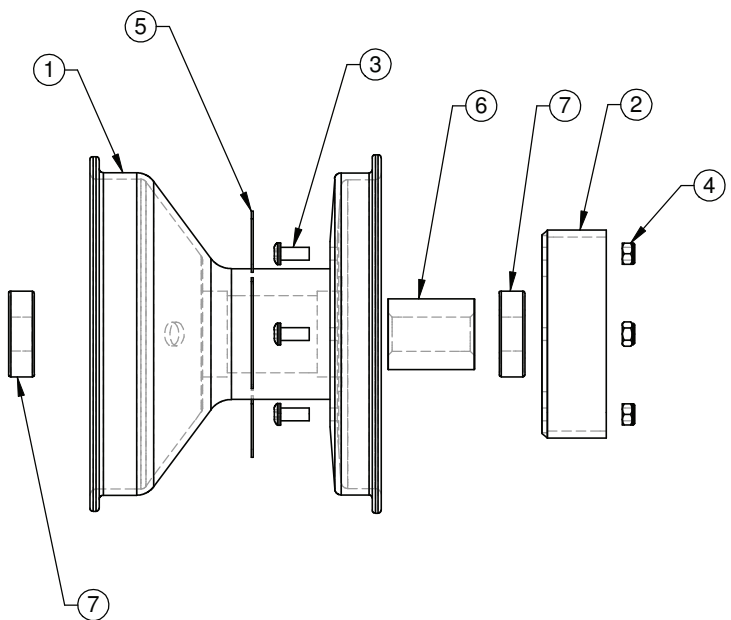
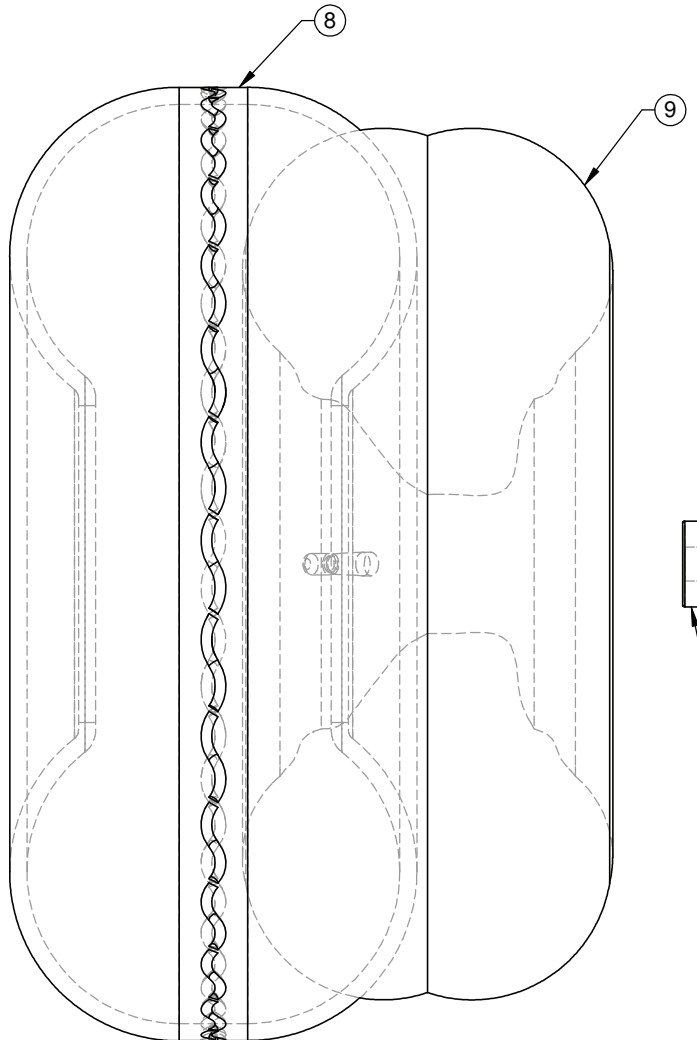
BRAKE LEVER SUBASM XT GREY DRUM BRAKE

Drawn By	Scale	Date
Simon	1:1.3	03/05/03



5550
SHEET 1 of 3

ITEM NO.	NAME	DWG	PART NO.	QTY.
1	WHEEL RIM 6IN TUNDRA DRUM BRAKE	2032	105254	1
2	BRAKE DRUM COMPLETE (TUNDRA)	5498	105246	1
3	SKT BUTTON SCREW M6 X 16 MOD 13.4L	5677	106621	4
4	NUT NYLOC M 6 ZINC	5604	102132	4
5	VELCRO LOOP 25X 50 ADHESIVE	6313	105887	4
6	SPACER INNER WHEEL BEARING AL	5652	106271	1
7	BEARING 6IN RIM	5608	100270	2
8	TYRE 6IN X 8.00 TUNDRA	5558	105244	1
9	TUBE INNER 6IN SUIT TYRE 8.00X6	5653	105250	1



TYRE PRESSURE:
10 PSI (70kPa)

NOTE THAT THIS ASSEMBLY IS USED IN THE REDBACK TUNDRA OPTION - BUT HAS A PART # NOT A BUILD KIT #.

WHEEL 6IN INCL TYRE TUNDRA DRUM BRAKE

Rev	AMENDMENTS	Date
1	MOVED SOME PARTS FROM 6365	18-11-05
2	DCR 2285, CHG TO 8IN TUBE	18-01-07

PART NO. 106261 -
LAST ACESSED: Wednesday, 26 May 2010
ALL DIMENSIONS IN MILLIMETERS UNLESS STATED OTHERWISE



Drawn By	Scale	Date
Cris	1:3	29/10/03



6369
SHEET 1 of 2



PHOTO OF PART # 106261 AS KITTED FOR PRODUCTION, NOTE: TUBE WILL NOW LOOK DIFFERENT, 18-01-07.

Rev	AMENDMENTS	Date

PART NO.

LAST ACESSED: Wednesday, 26 May 2010
 ALL DIMENSIONS IN MILLIMETERS UNLESS STATED OTHERWISE

Drawn By	Scale	Date		6369 SHEET 2 of 2
Simon	NTS	18-11-05		

20 PROP INSTALL BOLLY RH 582

- Drawing # 7426

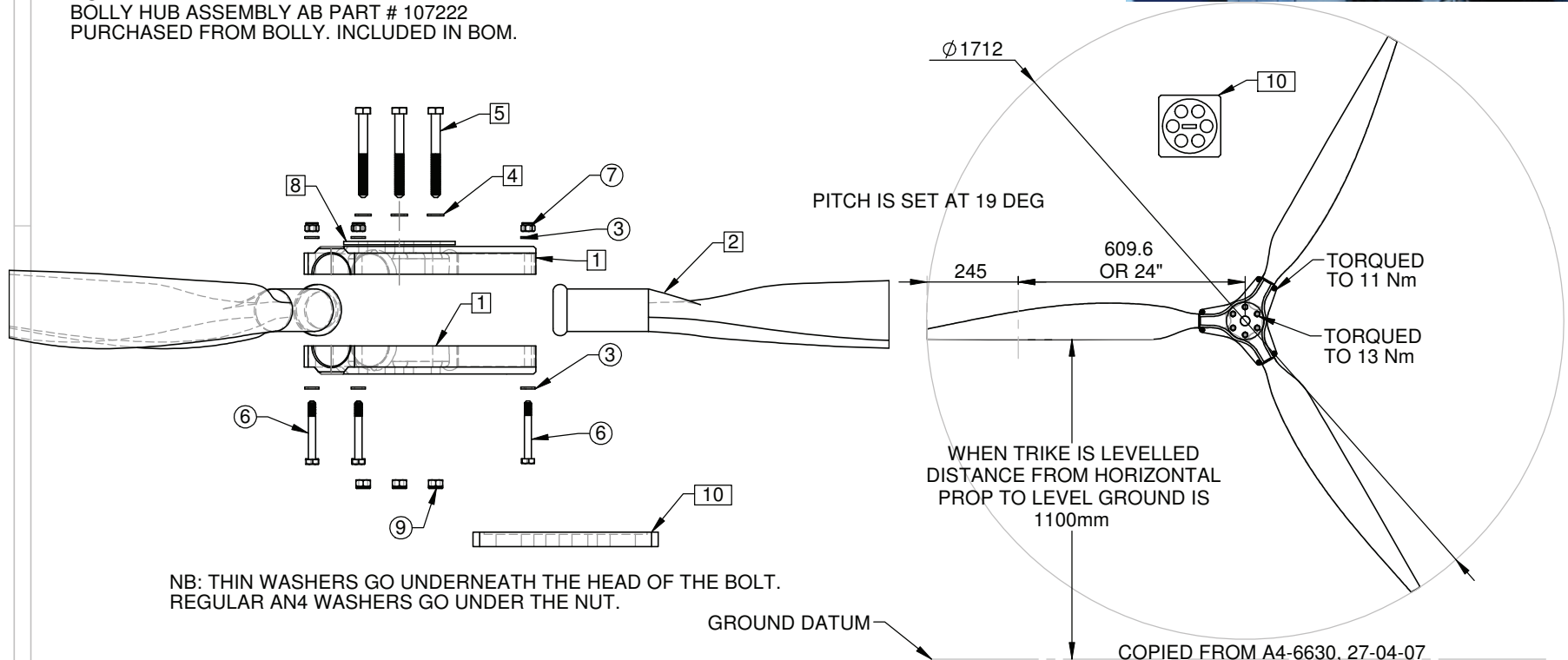
ITEM NO.	NAME	DWG	PART NO.	QTY.
1	PROP HUB BOLLY BOS3 HUB 30 ANODISED	5800	107134	2
2	PROP BLADE BOLLY RH 68INDX58IN D/TUF-582	5925	108263	3
3	WASHER AN4	5540	100042	12
4	WASHER M8 (BOLLY)	5540	106768	6
5	BOLT 8.8 GR M 8X 75 BLACK	5935	103255	6
6	BOLT AN4-20A	5450	100006	6
7	NUT NYLOC AN4 FULL	5535	100034	6
8	PROP FRONT WASHER PLATE BOLLY XT-582	6835	107221	1
9	NUT NYLOC M 8 ZINC	5604	100915	6
10	PROTRACTOR WARP DRIVE	7681	108634	1

CAUTION:
SEE MAINTENANCE
MANUAL SECTION 61.
FOR CORRECT
PROPELLER SETUP.

PHOTO: LEVELLING OF TRIKE
TO 90 DEG: USE A SPACER
UNDERNEATH FRONT WHEEL.



NOTE:
BOLLY HUB ASSEMBLY AB PART # 107222
PURCHASED FROM BOLLY. INCLUDED IN BOM.



NB: THIN WASHERS GO UNDERNEATH THE HEAD OF THE BOLT.
REGULAR AN4 WASHERS GO UNDER THE NUT.

GROUND DATUM

COPIED FROM A4-6630, 27-04-07.

Rev	AMENDMENTS	Date
1	DCR 2389	16-09-08
2	DCR 2392	25-09-08

PART NO. 108424 - D-TUF BLADES

LAST ACESSED: Wednesday, 26 May 2010

ALL DIMENSIONS IN MILLIMETERS UNLESS STATED OTHERWISE

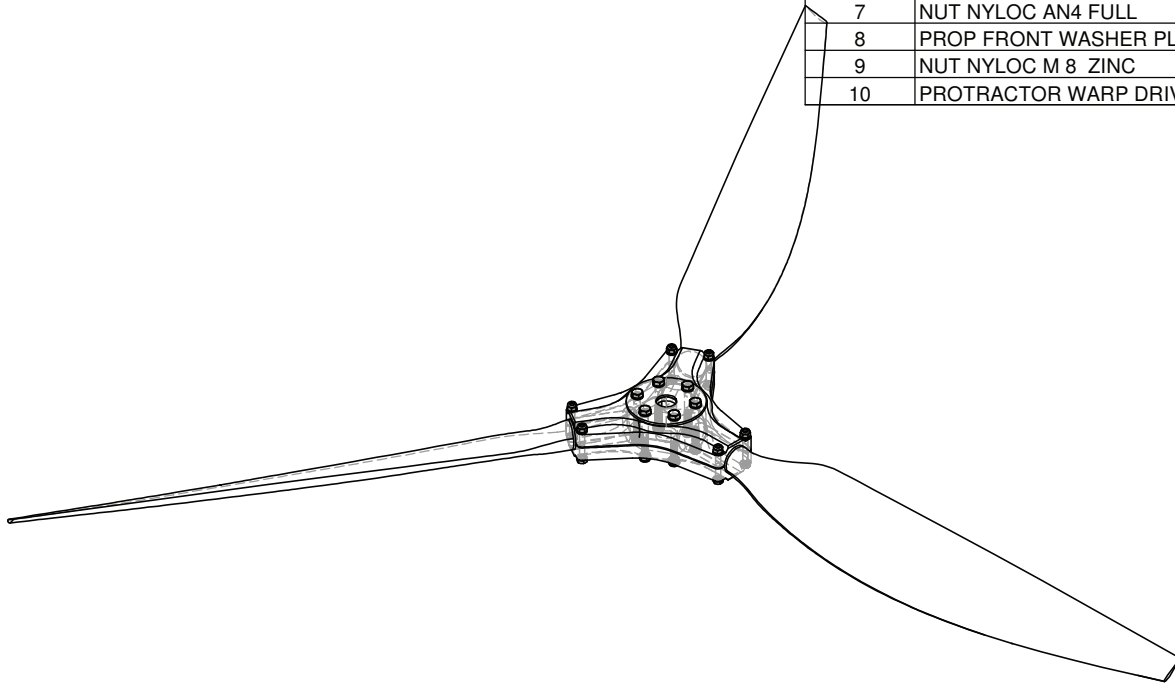
PROP INSTALL BOLLY RH 582 D-TUF

Drawn By	Scale	Date
Simon	1:6	27-04-07



7426
SHEET 1 of 2

ITEM NO.	NAME	DWG	PART NO.	QTY.
1	PROP HUB BOLLY BOS3 HUB 30 ANODISED	5800	107134	2
2	PROP BLADE BOLLY RH 68INDX58IN STND-582	5925	106841	3
3	WASHER AN4	5540	100042	12
4	WASHER M8 (BOLLY)	5540	106768	6
5	BOLT 8.8 GR M 8X 75 BLACK	5935	103255	6
6	BOLT AN4-20A	5450	100006	6
7	NUT NYLOC AN4 FULL	5535	100034	6
8	PROP FRONT WASHER PLATE BOLLY XT-582	6835	107221	1
9	NUT NYLOC M 8 ZINC	5604	100915	6
10	PROTRACTOR WARP DRIVE	7681	108634	1



Rev	AMENDMENTS	Date
1	DCR 2389, ADDED 108634	16-09-08

PART NO. 108423 - STND BLADES

LAST ACESSED: Wednesday, 26 May 2010
 ALL DIMENSIONS IN MILLIMETERS UNLESS STATED OTHERWISE

PROP INSTALL BOLLY RH 582 STND

Drawn By	Scale	Date
Simon	1:8	17-04-07



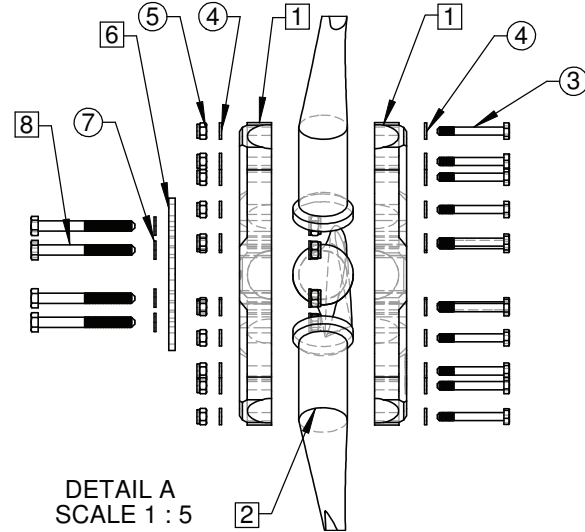
7426
 SHEET 2 of 2

21 PROP INSTALL WARP DRIVE RH 582 - Drawing # 7440

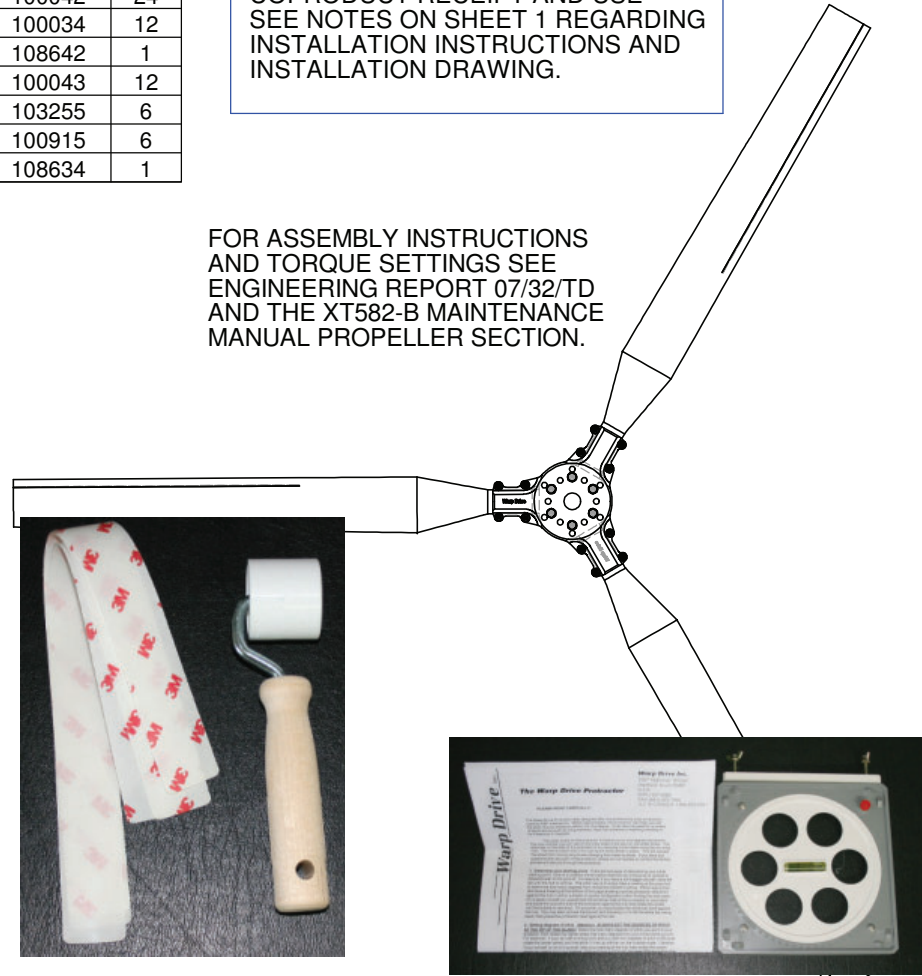
ITEM NO.	NAME	DWG	PART NO.	QTY.
1	HUB WARP DRVE WDHPL3 582 GENERIC	7445	108643	2
2	PROP BLADE WARP DRVE RH 68IND 582 NICKEL	7443	108638	3
3	BOLT AN4-20A	5450	100006	12
4	WASHER AN4	5540	100042	24
5	NUT NYLOC AN4 FULL	5535	100034	12
6	PROP COVER WASHER PLATE ROTAX 582	7446	108642	1
7	WASHER AN5	5540	100043	12
8	BOLT 8.8 GR M 8X 75 BLACK	5935	103255	6
9	NUT NYLOC M 8 ZINC	5604	100915	6
10	PROTRACTOR WARP DRIVE	7448	108634	1

NOTE:
SEE NOTES ON SHEET 2 REGARDING
COPRODUCT RECEIPT AND USE
SEE NOTES ON SHEET 1 REGARDING
INSTALLATION INSTRUCTIONS AND
INSTALLATION DRAWING.

FOR ASSEMBLY INSTRUCTIONS
AND TORQUE SETTINGS SEE
ENGINEERING REPORT 07/32/TD
AND THE XT582-B MAINTENANCE
MANUAL PROPELLER SECTION.



DETAIL A
SCALE 1 : 5



Rev	AMENDMENTS	Date
1	DCR 2369 - CHG NOTES AND COPDTS	21-05-08

PART NO. 108621
LAST ACESSED: Wednesday, 26 May 2010
ALL DIMENSIONS IN MILLIMETERS UNLESS STATED OTHERWISE

PROP INSTALL WARP DRIVE RH 582 NICKEL

Drawn By	Scale	Date
Simon	1:10	31-05-07



7440
SHEET 1 of 2

PURCHASED PART # 108632 - PROP WARP DRVE RH 68IND 582 ASM STND IS CONSUMED BY 108641 ENG ID 1 - PROP HUB COMPLETE WARP DRIVE 582 WHICH MAKES THE FOLLOWING AS COPRODUCTS:
 PART # 108634 - PROTRACTOR WARP DRIVE X 1
 PART # 108637 - PROP BLADE WARP DRVE RH 68IND 582 STND X 3
 PART # 108646 - PROP BLADE TAPE WARP DRVE KIT (3 PIECES) X 1
 PART # 100006 - BOLT AN4-20A X 12
 PART # 100042 - WASHER AN4 X 24
 PART # 100034 - NUT NYLOC AN4 FULL X 12

LET IT BE NOTED THAT:
 PART # 103255 - BOLT 8.8 GR M 8X 75
 PART # 100043 - WASHER AN5
 PART # 100915 - NUT NYLOC M8 FULL

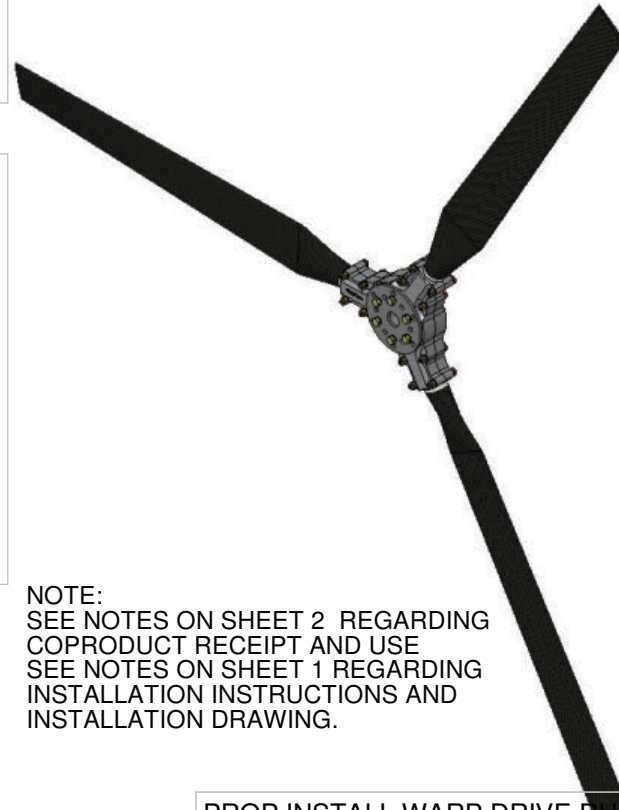
MAY ARRIVE AS WELL. IF SO THIS IS A MISTAKE BY WARP DRIVE, (SEE PURCHASE NOTES). THESE SHOULD BE ADJUSTED INTO INVENTORY.

PURCHASED PART # 108633 - PROP WARP DRVE RH 68IND 582 ASM NICKEL IS CONSUMED BY 108641 ENG ID 0 - PROP HUB COMPLETE WARP DRIVE 582 WHICH MAKES THE FOLLOWING AS COPRODUCTS:
 PART # 108634 - PROTRACTOR WARP DRIVE X 1
 PART # 108637 - PROP BLADE WARP DRVE RH 68IND 582 STND X 3
 PART # 108646 - PROP BLADE TAPE WARP DRVE KIT (3 PIECES) X 1
 PART # 100006 - BOLT AN4-20A X 12
 PART # 100042 - WASHER AN4 X 24
 PART # 100034 - NUT NYLOC AN4 FULL X 12

LET IT BE NOTED THAT:
 PART # 103255 - BOLT 8.8 GR M 8X 75
 PART # 100043 - WASHER AN5
 PART # 100915 - NUT NYLOC M8 FULL

MAY ARRIVE AS WELL. IF SO THIS IS A MISTAKE BY WARP DRIVE, (SEE PURCHASE NOTES). THESE SHOULD BE ADJUSTED INTO INVENTORY.

TEM NO	NAME	DWG	PART NO	QTY.
1	WARP DRIVE HUB WDHPL3 582 GENERIC	7445	108643	2
2	PROP BLADE WARP DRIV RH 68IND 582 STND	7443	108637	3
3	BOLT AN4-20 a	5450	100006	12
4	WASHER AN4	5540	100042	24
5	NUT NYLOC AN4 FULL	5535	100034	12
6	PROP COVER WASHER PLATE ROTAX 582	7446	108642	1
7	WASHER AN5	5540	100043	12
8	BOLT 8.8 GR M 8X 75 BLACK	5935	103255	6
9	NUT NYLOC M 8 ZINC	5604	100915	6
10	WARP DRIVE PROTRACTOR	7448	108634	1
11	PROP BLADE TAPE WARP DRIVE KIT	7449	108646	1



NOTE:
 SEE NOTES ON SHEET 2 REGARDING COPRODUCT RECEIPT AND USE
 SEE NOTES ON SHEET 1 REGARDING INSTALLATION INSTRUCTIONS AND INSTALLATION DRAWING.

Rev	AMENDMENTS	Date

PART NO. 108620

LAST ACESSED: Wednesday, 26 May 2010
 ALL DIMENSIONS IN MILLIMETERS UNLESS STATED OTHERWISE

PROP INSTALL WARP DRIVE RH 582 STND

Drawn By	Scale	Date
Simon	1:10	31-05-07



7440
 SHEET 2 of 2

22 CERTIFICATION KITS XT-582

- **Drawing # 6924**

PART NO. 110076 - CERTIFICATION SUBKIT 1 XT582

ITEM NO.	NAME	DWG	PART NO.	QTY.
1	MANUAL COMPLETE XT582 AOI	6931	107632	1
2	MANUAL COMPLETE XT582 MM LSA&PRIM	6931	108471	1
3	POP RIVET 1/8	5515	100162	2
4	DATA PLATE EDGE XT-582-K	6903	110078	1

PART NO. 110077 - CERTIFICATION SUBKIT 2 XT582

ITEM NO.	NAME	DWG	PART NO.	QTY.
1	PLACARD ENGINE LIMITS XT582 LSA METRIC	5900	107602	1
2	PLACARD ENGINE LIMITS XT582 LSA IMPERIAL	5900	107601	1
3	PLACARD FLIGHT LIMITS EDGEXT LSA	5900	107596	1
4	PLACARD AIRCRAFT OPERATING INST BLACK	5900	107592	1
5	PLACARD FUEL CAPACITY EDGEXT IMPERIAL	5900	107597	1
6	PLACARD OIL TANK CAPACITY XT582 IMPERIAL	5900	107604	1
7	PLACARD LSA WARNING AUSTRALIA	5900	109519	1
8	PLACARD FUEL CAPACITY EDGEXT METRIC	5900	105709	1
9	PLACARD OIL TANK CAPACITY XT582 METRIC	5900	107240	1

PART NO. 109523 - CERTIFICATION KIT XT582 LSA AUSTRALIA

ITEM NO.	NAME	DWG	PART NO.	QTY.
1	PLACARD ENGINE LIMITS XT582 LSA METRIC	5900	107602	1
2	PLACARD ENGINE LIMITS XT582 LSA IMPERIAL	5900	107601	1
3	PLACARD FLIGHT LIMITS EDGEXT LSA	5900	107596	1
4	PLACARD AIRCRAFT OPERATING INST BLACK	5900	107592	1
5	PLACARD FUEL CAPACITY EDGEXT IMPERIAL	5900	107597	1
6	PLACARD OIL TANK CAPACITY XT582 IMPERIAL	5900	107604	1
7	MANUAL COMPLETE XT582 AOI	6931	107632	1
8	MANUAL COMPLETE XT582 MM LSA&PRIM	6931	108471	1
9	POP RIVET 1/8	5515	100162	2
10	DATA PLATE EDGE XT-582-L LSA	6903	107567	1
11	MANUAL ROTAX ENGINE DATA PACK	6930	107736	1
12	PLACARD VNE ASI CRUZE STREAK 3 MERLIN	6536	109310	1
13	ALLEN HEX KEY 6MM	7914	109860	1
14	PLACARD LSA WARNING AUSTRALIA	5900	109519	1

Rev	AMENDMENTS	Date
3	DCR 2315 - REARRANGE	19-07-07
4	DCR 2381 ADD VNE PLACARDS	29-07-08
5	DCR 2427 - ADD ALLEN KEY+REFL MAN	25-09-09

LAST ACESSED: Wednesday, 26 May 2010

ALL DIMENSIONS IN MILLIMETERS UNLESS STATED OTHERWISE

NOTE:
THIS ASSEMBLY IS FOR ALL OF THE PARTS
WHICH DEFINE THE XT-582 BASE SECTION
AS EITHER PRIMARY OR SLSA CERTIFIED.

PART NO. 107737 - CERTIFICATION KIT XT582 LSA EXPORT

ITEM NO.	NAME	DWG	PART NO.	QTY.
1	PLACARD ENGINE LIMITS XT582 LSA METRIC	5900	107602	1
2	PLACARD ENGINE LIMITS XT582 LSA IMPERIAL	5900	107601	1
3	PLACARD FLIGHT LIMITS EDGEXT LSA	5900	107596	1
4	PLACARD AIRCRAFT OPERATING INST BLACK	5900	107592	1
5	PLACARD FUEL CAPACITY EDGEXT IMPERIAL	5900	107597	1
6	PLACARD OIL TANK CAPACITY XT582 IMPERIAL	5900	107604	1
7	MANUAL COMPLETE XT582 AOI	6931	107632	1
8	MANUAL COMPLETE XT582 MM LSA&PRIM	6931	108471	1
9	POP RIVET 1/8	5515	100162	2
10	DATA PLATE EDGE XT-582-L LSA	6903	107567	1
11	MANUAL ROTAX ENGINE DATA PACK	6930	107736	1
12	PLACARD VNE ASI CRUZE STREAK 3 MERLIN	6536	109310	1
13	ALLEN HEX KEY 6MM	7914	109860	1

PART NO. 107738 - CERTIFICATION KIT XT582 PRIMARY

ITEM NO.	NAME	DWG	PART NO.	QTY.
1	PLACARD ENGINE LIMITS XT582 PMY IMPERIAL	5900	107238	1
2	PLACARD ENGINE LIMITS XT582 PMY METRIC	5900	107239	1
3	PLACARD FLIGHT LIMITS EDGEXT PMY	5900	105706	1
4	PLACARD PILOT HAND BOOK BLACK	5900	105707	1
5	PLACARD FUEL CAPACITY EDGEXT METRIC	5900	105709	1
6	PLACARD OIL TANK CAPACITY XT582 METRIC	5900	107240	1
7	MANUAL COMPLETE XT582 POH	6931	107640	1
8	MANUAL COMPLETE XT582 MM LSA&PRIM	6931	108471	1
9	POP RIVET 1/8	5515	100162	2
10	DATA PLATE EDGE XT-582-B PRIMARY	6903	107243	1
11	MANUAL ROTAX ENGINE DATA PACK	6930	107736	1
12	PLACARD VNE ASI CRUZE STREAK 3	6536	107237	1
13	ALLEN HEX KEY 6MM	7914	109860	1

THIS IS A VIRTUAL ASSEMBLY

CERTIFICATION KITS XT-582 BASE

Drawn By	Scale	Date	6924	
Simon	1:2	10-04-06	SHEET 1 of 1	

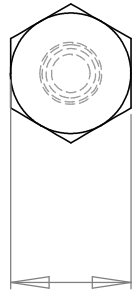
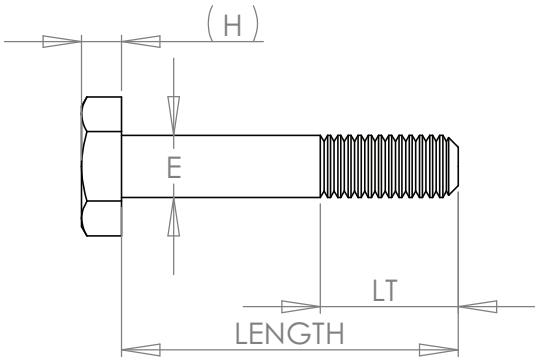


23 MISCELLANEOUS – NUTS AND BOLTS ETC

WARNING

THE PARTS WHICH ARE REPRESENTED IN THE FOLLOWING DRAWINGS ARE NOT NECESSARILY PART OF THIS AIRCRAFT. SOME PARTS WHICH ARE LISTED ARE COMPONENTS OF PARTS WHICH ARE NOT USER SERVICABLE. ONLY MAINTENANCE WHICH IS SPECIFIED IN THE MAINTENANCE MANUAL SHOULD BE ATTEMPTED AND ONLY THE EXACT SPARE SHOULD BE USED TO REPLACE PARTS. THE FOLLOWING DRAWINGS ARE PROVIDED AS A CONVIENIENCE TO AID IDENTIFICATION OF PARTS WHICH ARE USER MAINTAINABLE.

23.1	AN-3 Bolts	-	Drawing # 5449
23.2	AN-4 Bolts	-	Drawing # 5450
23.3	AN-5 Bolts	-	Drawing # 5493
23.4	AN-6 Bolts	-	Drawing # 5494
23.5	Metric Nuts	-	Drawing # 5495
23.6	UNF Nut Design Table	-	Drawing # 5506
23.7	Pop Rivets	-	Drawing # 5515
23.8	Roll Pins	-	Drawing # 5516
23.9	Socket Cap Screws UNF	-	Drawing # 5517
23.10	AN Wingnuts	-	Drawing # 5534
23.11	AN Nuts Full Nyloc	-	Drawing # 5535
23.12	Washers	-	Drawing # 5540
23.13	AN Nuts Half Nyloc	-	Drawing # 5561
23.14	Thimbles	-	Drawing # 5565
23.15	Socket Cap Screws Metric	-	Drawing # 5603
23.16	Metric Nuts Full Nyloc	-	Drawing # 5604
23.17	Cable Ties	-	Drawing # 5605
23.18	Metric Grub Screws	-	Drawing # 5631
23.19	Endcaps	-	Drawing # 5633
23.20	Glues and Sealants	-	Drawing # 5637
23.21	UNC Bolts	-	Drawing # 5660
23.22	Socket Cap Screws – Countersunk	-	Drawing # 5668
23.23	Socket Button Screws	-	Drawing # 5677
23.24	Spring Washers	-	Drawing # 5679
23.25	Split Rings	-	Drawing # 5720
23.26	Screws Self Tapping	-	Drawing # 5909
23.27	O-Rings	-	Drawing # 5932
23.28	Metric Bolts	-	Drawing # 5935



(9.36
CHECK THIS DIMENSION)

DIMENSIONED TO ANSI B18.2.1-1981
STANDARD HEX AND HEAVY BOLTS
TABLE 2. PG# 1049 AND 1047
MACHINERERY'S HANDBOOK 22ND ED
INDUSTRIAL PRESS LTD, NEW YORK.

Design Table for: AN3 hex bolt			
	PART NO.	NAME	SHANK
	AN3-10 a	102927 Bolt AN3-10 a	26.2
	AN3-11 a	109626 Bolt AN3-11 a	29.4
	AN3-12 a	100050 Bolt AN3-12 a	32.5
	AN3-13 a	100584 Bolt AN3-13 a	35.7
	AN3-14 a	109629 Bolt AN3-14 a	38.9
	AN3-15 a	100735 Bolt AN3-15 a	42.1
	AN3-21 a	101184 Bolt AN3-21 a	54.8
	AN3-23 a	100558 Bolt AN3-23 a	61.1
	AN3-30 a	100629 Bolt AN3-30 a	77.0

Rev	AMENDMENTS	Date
1	DCR 2402 - T SERIES DEV	08-04-09

LAST ACESSED: Wednesday, 26 May 2010
ALL DIMENSIONS IN MILLIMETERS UNLESS STATED OTHERWISE

AN3 BOLT DESIGN TABLE

Drawn By	Scale	Date
Simon	2:1	02/03/03

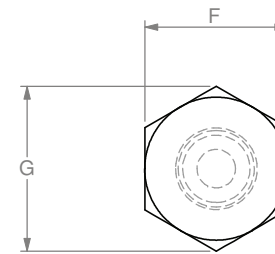
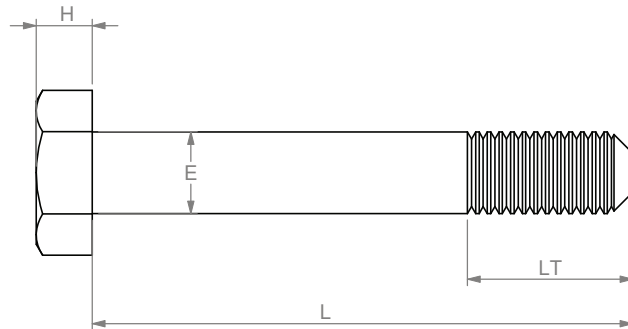


5449
SHEET 1 of 1

Design Table for: hex bolt_an

PART NO.	NAME	LENGTH
100002	BOLT AN4-6	19.84
100001	BOLT AN4-7	23.02
100003	BOLT AN4-11a	29.37
100547	BOLT AN4-12 a	32.54
101333	BOLT AN4-13 a	35.72
100559	BOLT AN4-14 a	38.89
100967	BOLT AN4-15 a	42.07
100004	BOLT AN4-16	45.24
105330	BOLT AN4-20	51.59
100006	BOLT AN4-20 a	51.59
100549	BOLT AN4-22 a	57.94
109929	BOLT AN4-23	61.12
100587	BOLT AN4-24 a	64.29
100009	BOLT AN4-26 a	70.64
100010	BOLT AN4-27 a	73.82
100011	BOLT AN4-30 a	76.99
100631	BOLT AN4-31	80.17
100012	BOLT AN4-32 a	83.34
101363	BOLT AN4-33 a	86.52
100850	BOLT AN4-34a	89.69
100013	BOLT AN4-35 a	92.87
100014	BOLT AN4-36 a	96.04
100713	BOLT AN4-40 a	102.39
102273	BOLT AN4-41 a	105.57
103668	BOLT AN4-42 a	108.74

DIMENSIONED TO ANSI B18.2.1-1981
STANDARD HEX AND HEAVY BOLTS
TABLE 2. PG# 1049 AND 1047
MACHINERERY'S HANDBOOK 22ND ED
INDUSTRIAL PRESS LTD, NEW YORK.



Rev	AMENDMENTS	Date
1	DCR 2428 - REV DEV ADD 109929	20-11-09

ALL DIMENSIONS IN MILLIMETERS UNLESS STATED OTHERWISE

AN4 BOLT - DESIGN TABLE

Drawn By	Scale	Date
Simon	2:1	21/03/03

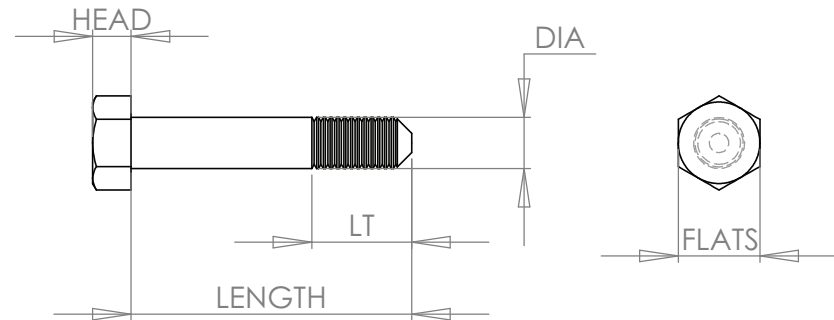


5450
SHEET 1 of 1

Design Table for: AN5 hex bolt_an

PART NO.	NAME
102743	BOLT AN5-11
109637	BOLT AN5-14
100015	BOLT AN5-15 a
100553	BOLT AN5-16 a
109630	BOLT AN5-16
103296	BOLT AN5-17
101244	BOLT AN5-17 a
100016	BOLT AN5-20 a
100819	BOLT AN5-21 a
100017	BOLT AN5-22 a
100019	BOLT AN5-25 a
100588	BOLT AN5-26
104713	BOLT AN5-26 a
100020	BOLT AN5-27 a
100021	BOLT AN5-30 a
100022	BOLT AN5-31 a
100023	BOLT AN5-32 a
100024	BOLT AN5-33
100025	BOLT AN5-34 a
100026	BOLT AN5-36 a
106618	BOLT AN5-36
100027	BOLT AN5-37
100028	BOLT AN5-40 a
100965	BOLT AN5-41 a
109628	BOLT AN5-44 a
104500	BOLT AN5-46
100029	BOLT AN5-46 a
100960	BOLT AN5-53 a
100420	BOLT AN5-56 a
100018	BOLT AN5-24A

DIMENSIONED TO ANSI B18.2.1-1981
STANDARD HEX AND HEAVY BOLTS
TABLE 2. PG# 1049 AND 1047
MACHINERERY'S HANDBOOK 22ND ED
INDUSTRIAL PRESS LTD, NEW YORK.



PARTS WITH AN X BESIDE MAY NOT BE STOCKED BY AIRBORNE.
THIS TABLE DOES NOT INCLUDE ALL PARTS THAT HAVE BEEN
MADE OBSOLETE. CHECK FOR EXISTING OBSOLETE PARTS PRIOR TO
ALLOCATING NEW PART NUMBERS.

Rev	AMENDMENTS	Date
1	NAME CHANGED TO MATCH FP	19/10/04
2	AN5-24A BOLT ADDED DCR 2243	27/04/06
3	DCR 2402 - T SERIES DEV	08-04-09

LAST ACESSED: Wednesday, 26 May 2010

ALL DIMENSIONS IN MILLIMETERS UNLESS STATED OTHERWISE

AN-5 BOLT DESIGN TABLE

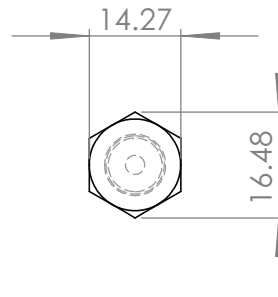
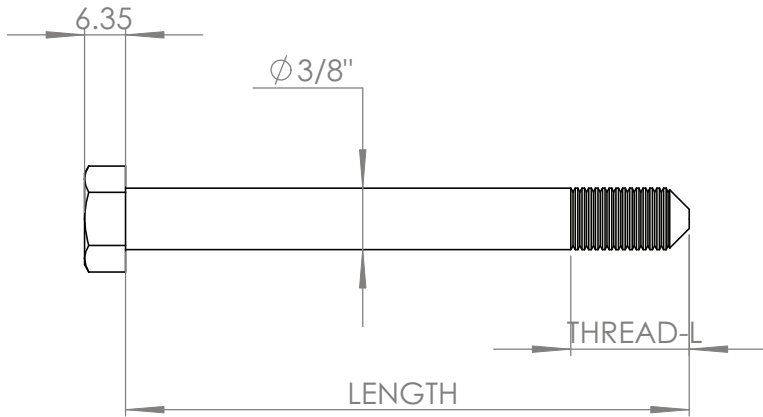
Drawn By	Scale	Date
Simon	1:1	02/03/03



5493
SHEET 1 of 1

Design Table for: hex bolt_an

PART NO.	NAME	LENGTH
109627	BOLT AN6-26	71.83
102316	BOLT AN6-33	87.71
100851	BOLT AN6-34	90.88
106347	BOLT AN6-35	94.06
100032	BOLT AN6-36	97.23
100033	BOLT AN6-41	106.76



DIMENSIONED TO ANSI B18.2.1-1981
STANDARD HEX AND HEAVY BOLTS
TABLE 2. PG# 1049 AND 1047
MACHINERERY'S HANDBOOK 22ND ED
INDUSTRIAL PRESS LTD, NEW YORK.

Rev	AMENDMENTS	Date
1	CHANGED NAME AN6-36, DCR 2047	26-10-04
2	DCR 2402 - T SERIES DEV	08-04-09

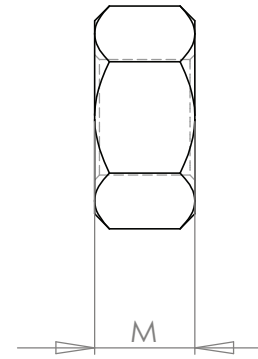
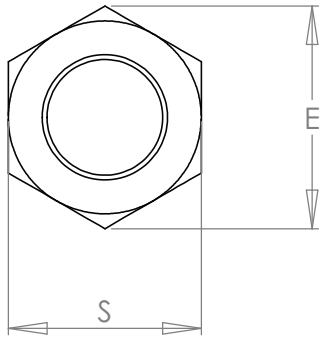
LAST ACESSED: Wednesday, 26 May 2010
ALL DIMENSIONS IN MILLIMETERS UNLESS STATED OTHERWISE

AN-6 BOLT DESIGN TABLE

Drawn By	Scale	Date
Simon	1:1	02/03/03



5494
SHEET 1 of 1



Design Table for: 5495

PART NO	NAME
100796	NUT M6 - BLK
100094	NUT M8
104815	NUT M10 ROTAX
104575	NUT M6 SS 316
107747	NUT M12 FINE GREMICA
103190	BRAKE CABLE NUT GREMICA

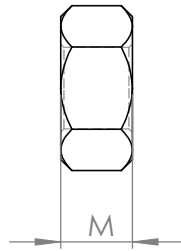
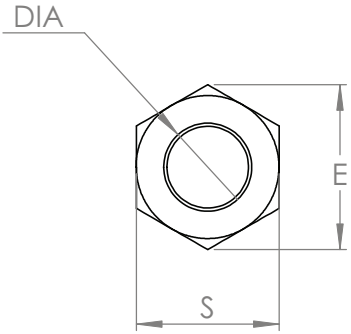
MODELLED TO AMERICAN NATIONAL STANDARD METRIC HEX NUTS STYLE 1 PG # 1092 MACH. H/B TABLE 25. EXCEPT THE M10 ROTAX NUT WHICH IS A CUSTOM ROTAX NUT, MODELLED FROM THE PART.

GREMICA NUTS PURCHASED AS PART OF AIRBORNE PART NO 102931 SEE A4-6937

Rev	AMENDMENTS	Date
1	DCR 2026, DESIGN TABLE EMBEDDED, NAMES CHANGED	19/10/04
2	DCR 2242 GREMICA NUTS ADDED	20/04/06

LAST ACESSED: Wednesday, 26 May 2010
ALL DIMENSIONS IN MILLIMETERS UNLESS STATED OTHERWISE

METRIC NUT - DESIGN TABLE			
Drawn By	Scale	Date	
Simon	3:1	02/03/03	
			5495 SHEET 1 of 1



Design Table for: 5506

PART NO	NAME
101372	NUT UNF BLACK 1-4"
105099	NUT UNF BLACK 5-8"
103157	NUT UNF ZINC 1-4"
105444	NUT NYLOC UNF 5-8"

102802 NUT UNF ZINC 1/4" P/N OBSOLETE

MODELLED TO AMERICAN NATIONAL STANDARD AND UNIFIED STD HEX NUTS PG # 1054 MACH. H/B TABLE 6. (NON HEAVY TABLE)

Rev	AMENDMENTS	Date
1	5/8" UNF NYLOC ADDED	20/05/03

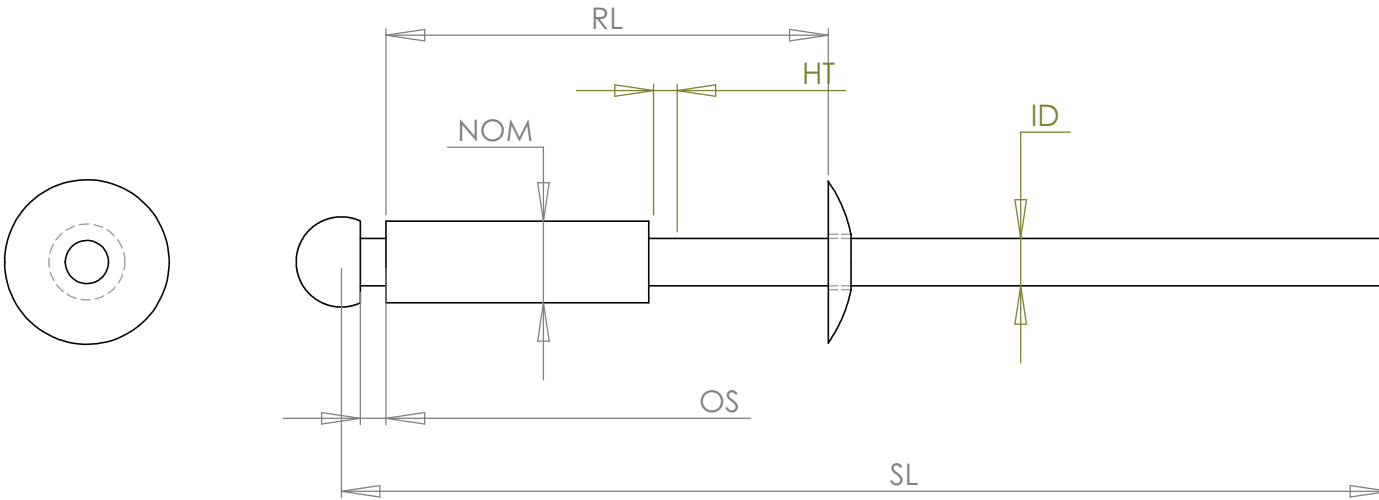
LAST ACESSED: Wednesday, 26 May 2010
 ALL DIMENSIONS IN MILLIMETERS UNLESS STATED OTHERWISE

UNF NUT DESIGN TABLE

Drawn By	Scale	Date
Simon	2:1	02/03/03



5506
 SHEET 1 of 1



Rivet dimensions taken from real rivets, not theoretical data, and hence may not be dimensionally accurate

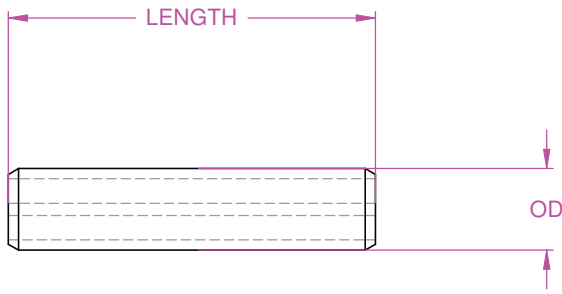
PART #	NAME
100162	POP RIVET 1/8"
100160	POP RIVET 3/16" SHORT (6-4)
104724	POP RIVET 3/16" X 10mm FLANGED
103698	POP RIVET 3/16" X 21mm FLANGED
102417	POP RIVET 5/32" LONG (5-8)
100161	POP RIVET 5/32" MED (5-5)
102418	POP RIVET 5/32" SHORT (5-3)
102205	POP RIVET SS 3/16"
102795	POP RIVET SS 5/32" SHORT (5-2)

MODEL CURRENTLY IS NOT DESIGN TABLE DRIVEN
TABLE WILL NOT BE AUTOMATICALLY UPDATED
WITH ANY CHANGES.

Rev	AMENDMENTS	Date

LAST ACESSED: Wednesday, 26 May 2010
ALL DIMENSIONS IN MILLIMETERS UNLESS STATED OTHERWISE

POP RIVET - DESIGN TABLE			
Drawn By	Scale	Date	
Simon	4:1	02/03/03	
			5515 SHEET 1 of 1



DESIGN TABLE 5516			
PART #	NAME	LENGTH	DIA
102356	ROLL PIN 1-4" X 1 1-8"	28.575	6.35
103880	ROLL PIN 1-4" X 3"	76.2	6.35
109959	ROLL PIN 3/16 X 22MM	22	4.7625
102713	ROLL PIN 3-32" X 1-2" SS	12.7	2.38125
104961	ROLL PIN 5-16" X 3 1-2"	88.9	7.9375
101983	ROLL PIN 5-16" X 7-8"	22.225	7.9375

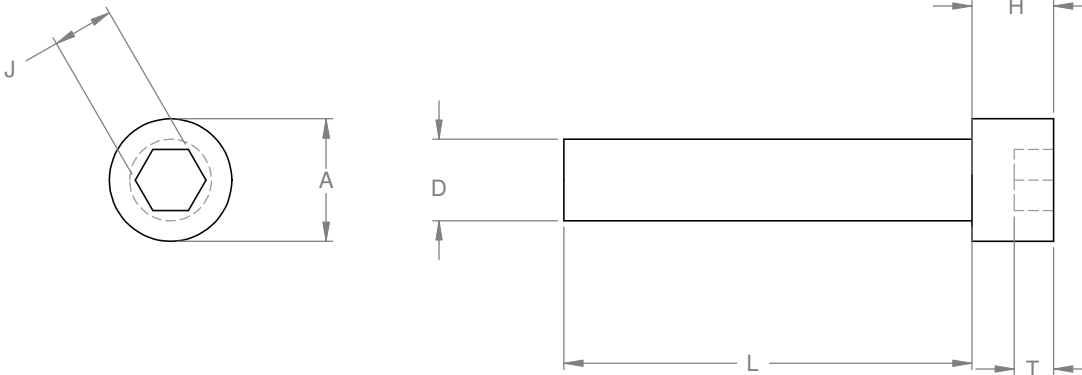
THESE PARTS WERE MODELLED FROM REAL PARTS

Rev	AMENDMENTS	Date
1	DCR 2428 REV DEV	03-12-09

LAST ACESSED: Wednesday, 26 May 2010
 ALL DIMENSIONS IN MILLIMETERS UNLESS STATED OTHERWISE

ROLL PIN DESIGN TABLE			
Drawn By	Scale	Date	
Simon	2:1	02/03/03	5516 SHEET 1 of 1





DIMENSIONED TO ANSI B18.3-1982
 AMERICAN NATIONAL STANDARD HEX
 AND SPLINE HEAD CAP SCREWS
 (1960 SERIES)
 TABLE 1. PG# 1151
 MACHINERERY'S HANDBOOK 22ND ED
 INDUSTRIAL PRESS LTD, NEW YORK.

Design Table for: 5517

PART #	NAME
104569	SKT CAP SCREW UNF 1 1-4" X 1/4
101371	SKT CAP SCREW UNF 1-4" X 3/4

Rev	AMENDMENTS	Date

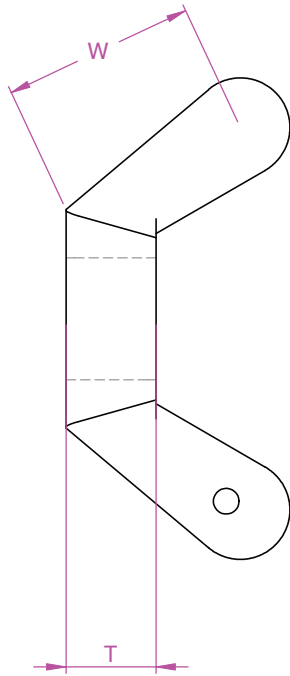
LAST ACESSED: Wednesday, 26 May 2010
 ALL DIMENSIONS IN MILLIMETERS UNLESS STATED OTHERWISE

SKT CAP SCREW UNF - DESIGN TABLE

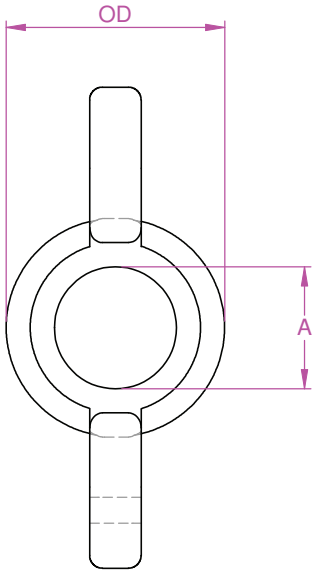
Drawn By	Scale	Date
Simon	2:1	02/03/03



5517
 SHEET 1 of 1



THESE WINGNUTS ARE MODELLED FROM THE EXISTING PARTS, AND MAY NOT BE FULLY DIMENSIONALLY ACCURATE.



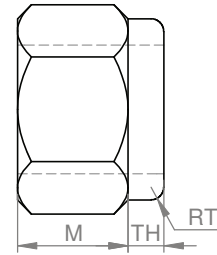
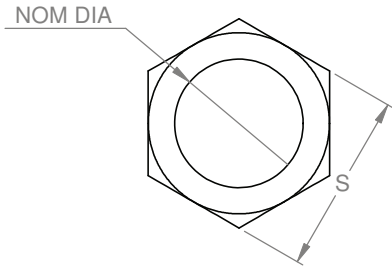
Design Table for: 5534

PART NO.	NAME
101065	WINGNUT AN6
102454	WINGNUT AN5
102472	WINGNUT AN4

Rev	AMENDMENTS	Date

PART NO.
 LAST ACESSED: Wednesday, 26 May 2010
 ALL DIMENSIONS IN MILLIMETERS UNLESS STATED OTHERWISE

AN WINGNUT DESIGN TABLE			
Drawn By	Scale	Date	5534 SHEET of
Simon	2:1	29/04/03	



PART NO.	NAME
100051	NUT NYLOC AN3 FULL
100034	NUT NYLOC AN4 FULL
100036	NUT NYLOC AN5 FULL
100038	NUT NYLOC AN6 FULL
101174	NUT NYLOC UNC 1-2" FULL
101822	NUT NYLOC BSW 1-4" FULL

THESE NUTS ARE MODELLED FROM THE EXISTING PARTS, AND MAY NOT BE FULLY DIMENSIONALLY ACCURATE.

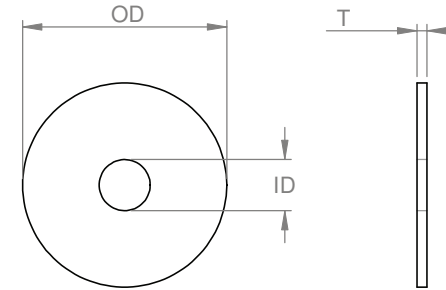
Rev	AMENDMENTS	Date

PART NO.
 LAST ACESSED: Wednesday, 26 May 2010
 ALL DIMENSIONS IN MILLIMETERS UNLESS STATED OTHERWISE

AN NUTS FULL NYLOC DESIGN TABLE			
Drawn By	Scale	Date	
Simon	2:1	02/03/03	
			5535 SHEET of

Design Table for: 5540

PART NO.	NAME	OD	ID	T
100093	WASHER SS 1-2 X 1" 304 FLAT	1"	1/2"	1/16"
101455	WASHER SS 1-4 X 1"	1"	1/4"	1/16"
102018	WASHER SS 1-4 X 3-4"	3/4"	1/4"	1/16"
101883	WASHER SS 1-8 X 3-8"	3/8"	1/8"	1/28"
101369	WASHER SS 1-8 X 5-16"	5/16"	1/8"	1/28"
103458	WASHER SS 10 X 21mm	21	10	1.2
100569	WASHER SS 3-16 X 1-2"	1/2"	13/64"	1/28"
102368	WASHER SS 3-16 X 3-4"	3/4"	13/64"	1/16"
100055	WASHER SS 3-16 X 7-16" 304 FLAT	7/16"	13/64"	1/28"
102470	WASHER SS 3-8 X 1 1-2"	3/2"	3/8"	1/16"
100924	WASHER SS 3-8 X 3-4"	3/4"	3/8"	1/19"
100714	WASHER SS 5-16 X 1" X 16g	1"	5/16"	1/16"
100045	WASHER SS 5-16 X 1 1-4" 304 FLAT	5/4"	5/16"	1/16"
102332	WASHER SS 5-16 X 3-4"	3/4"	5/16"	1/19"
102099	WASHER SS 7-16 X 1 1-8" 304	9/8"	7/16"	1/16"
102090	WASHER SS M4 STND	9	4	0.8
100049	WASHER AN3	11	5	1.6
100042	WASHER AN4	12.6	6.8	1.6
106766	WASHER AN4 THIN (BOLLY)	12.6	6.8	0.8
100043	WASHER AN5	14.2	8.4	1.6
100044	WASHER AN6	15.1	9.9	1.6
106768	WASHER M8 (BOLLY)	14.6	8.25	1.6
100611	WASHER NYLON M12 STD	24	13.3	2.4
100619	WASHER NYLON M10 STD	21.8	10.5	2.4
100595	WASHER NYLON M8 STD	18.2	8.7	2
100820	WASHER NYLON M8 XOD	23.8	8.7	2
101055	WASHER NYLON M6 XOD	18	6.7	1.6
102654	WASHER NYLON 1-2"	25.4	13	1.4
103961	WASHER NYLON 1-4" OBA THIN	12.9	6.6	0.7
102424	WASHER NYLON 1-4" OBA THICK	11.9	6.6	1.6
101387	WASHER BRIGHT 3-8" x 1 1-4"	31.75	11.11	1.5
103192	WASHER BRIGHT 5-16" x 1 1-4"	31.75	9.53	1.5
101296	WASHER BRIGHT 7-16" x 7-8"	22.225	12.70	1.5
100624	WASHER MYLAR 1-4" x 7-8"	22	7	0.4
108963	WASHER MYLAR 22X11.5	22	11.5	0.4
103166	WASHER GREMICA WHEEL 22x12x2	22	12	2
103191	WASHER GREMICA BRAKE	12	6.3	1.4
105885	WASHER 912 10.7x20	20	10.7	1.9
106400	WASHER RED FIBRE 5-16"X11-16"x1-32"	11/16"	5/16"	1/32"
106619	WASHER RED FIBRE - CARBY HEAT	14	5/16"	1/32"
107252	WASHER COPPER 8X12X1	12	8	1
109508	WASHER ZINC FLAT M2.5 X 6.5 X 0.5	6.5	2.5	0.5



MODELLED FROM BLACWOOD GROUP CATALOGUE PG # 140, 141. TABLES, AND MACH H/B PG # 356, ED 22. AN AND NYLON WASHERS MODELLED FROM THE EXISTING PARTS. AN4 THIN WASHER SUPPLIED BY BOLLY WITH PROPELLERS, PART 106766.

PART NO 10103166 AND 103191 WASHERS GREMICA ARE NORMALLY SUPPLIED AS A COPRODUCT OF PART NO102931 SEE A4-4597

← USE JIG - SKIM DOWN OUTSIDE DIAMETER

Rev	AMENDMENTS	Date
1	GREMICA NOTE ADDED DCR 2242	20/04/06
2	DCR 2347 ADDED 108963	08-02-08

PART NO.

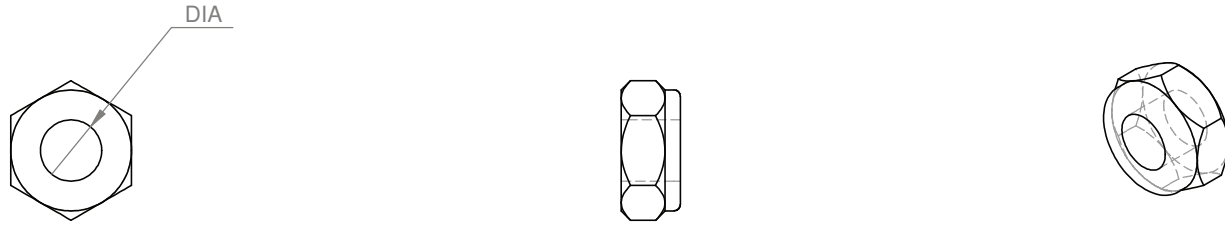
LAST ACESSED: Wednesday, 26 May 2010

ALL DIMENSIONS IN MILLIMETERS UNLESS STATED OTHERWISE

WASHER - DESIGN TABLE

Drawn By	Scale	Date	5540	
Simon	1:1	02/03/03	SHEET of	





THESE NUTS ARE MODELLED FROM THE EXISTING PARTS, AND MAY NOT BE FULLY DIMENSIONALLY ACCURATE.

Design Table for: 5561

PART NO	NAME
101334	NUT NYLOC AN3 HALF
100035	NUT NYLOC AN4 HALF
100037	NUT NYLOC AN5 HALF
100039	NUT NYLOC AN6 HALF

Rev	AMENDMENTS	Date

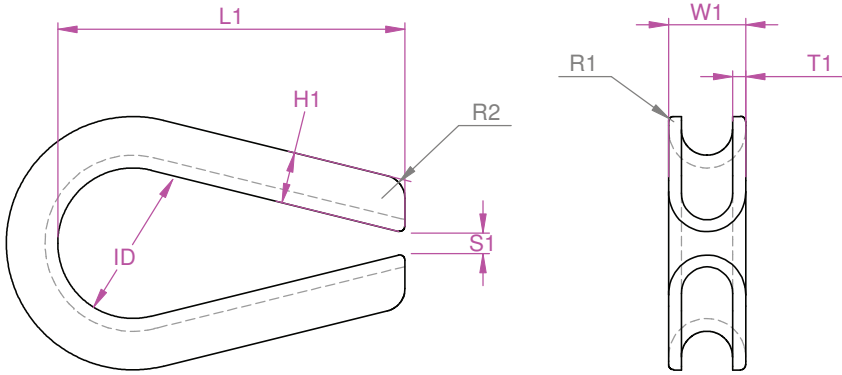
PART NO.
 LAST ACESSED: Wednesday, 26 May 2010
 ALL DIMENSIONS IN MILLIMETERS UNLESS STATED OTHERWISE

AN NUTS HALF NYLOC - DESIGN TABLE

Drawn By	Scale	Date
Cris	2:1	05/05/03



5561
 SHEET 1 of 1



MODELLED FROM THE EXISTING PARTS AND
MAY NOT BE DIMENSIONALLY ACCURATE

THE 1/16" THIMBLE STILL NEEDS TO BE MODELLED

Design Table for: 5565

PART NO	NAME
104264	THIMBLE (3-32") THIN
100176	THIMBLE 2.4mm (3-32")
100177	THIMBLE 3.2mm (1-8")
100178	THIMBLE 4.0mm(5-32")

Rev	AMENDMENTS	Date

PART NO. -

LAST ACESSED: Wednesday, 26 May 2010

ALL DIMENSIONS IN MILLIMETERS UNLESS STATED OTHERWISE

THIMBLE DESIGN TABLE

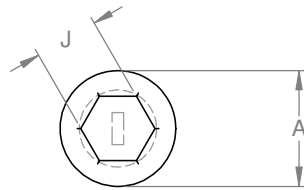
Drawn By	Scale	Date
Cris	2:1	06/05/03



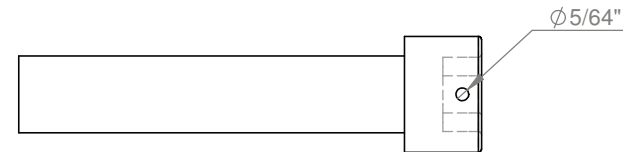
5565
SHEET 1 of 1

**DIMENSIONED TO ANSI B18.3-1982
AMERICAN NATIONAL STANDARD HEX
AND SPLINE HEAD CAP SCREWS
(1960 SERIES)
TABLE 19. PG# 1086
MACHINERERY'S HANDBOOK 22ND ED
INDUSTRIAL PRESS LTD, NEW YORK.**

105328	SKT CAP SCREW M 10 X 30
105944	SKT CAP SCREW M 10 X 30 DRILLED
102469	SKT CAP SCREW M 10 X 140
102932	SKT CAP SCREW M 10 X 150
105329	SKT CAP SCREW M 12 X 60
106448	SKT CAP SCREW M 12 X 60 DRILLED
100923	SKT CAP SCREW SS M 4 X 25
106704	SKT CAP SCREW M 5 X 12
105884	SKT CAP SCREW M 6 X 12
103187	SKT CAP SCREW M 6 X 16
102327	SKT CAP SCREW M 6 X 20
107141	SKT CAP SCREW M 6 X 30 SS
109312	SKT CAP SCREW M6 X 35 ROTAX
100909	SKT CAP SCREW M 6 X 70
100814	SKT CAP SCREW M 6 X 80
100822	SKT CAP SCREW M 6 X 90
102929	SKT CAP SCREW M 8 X 10
101001	SKT CAP SCREW M 8 X 110
102920	SKT CAP SCREW M 8 X 120
101518	SKT CAP SCREW M 8 X 16
102331	SKT CAP SCREW M 8 X 20
100980	SKT CAP SCREW M 8 X 25
101519	SKT CAP SCREW M 8 X 40
106449	SKT CAP SCREW M 8 X 40 DRILLED
103359	SKT CAP SCREW M 8 X 75
104670	SKT CAP SCREW M 8 X 90
106322	SKT CAP SCREW SS M 4 X 8
102089	SKT CAP SCREW SS M 4 X 12
102453	*SKT CAP SCREW SS M 4 X 20
107060	SKT CAP SCREW SS M 6 X 30 ZINC
104556	SKT CAP SCREW SS M 6 X 50
101744	SKT CAP SCREW SS M 6 X 60
102032	SKT CAP SCREW SS M 8 X 8
105752	SKT CAP SCREW SS M 6 X 20
106306	SKT CAP SCREW SS M 6 X 50 - MODIFIED
107394	SKT CAP SCREW M 8 X 20 MODIFIED
107474	*SKT CAP SCREW SS M 4 X 20
108101	SKT CAP SCREW M 10 X 150 ZINC PLATED
108176	SKT CAP SCREW M 8 X 120 ZINC PLATED
108522	SKT CAP SCREW M 6 X 30 SS MODIFIED
108875	SKT CAP SCREW M 10 X 180 BLACK
108876	SKT CAP SCREW M 10 X 180 ZINC PLATED
109189	SKT CAP SCREW M 10 X 60 BLK
109189	SKT CAP SCREW M 10 X 60 ZINC PLATED
109713	SKT CAP SCREW M 10 X 50 BLK
109714	SKT CAP SCREW M 8 X 50 BLK
109715	SKT CAP SCREW M 8 X 30 BLK
109186	SKT CAP SCREW M 10 X 40 BLK



SKT CAP SCREW WITH DRILLED HEAD. NOTE POSITION 1/2 DEPTH OF HEX RECESS



NOTE:
#109312 IS ROTAX PART #
241811 ALLEN SCREW M6X35 DIN 912
AND IS NORMALLY RECIEVED
AS A COPRODUCT OF PART # 102133
THE AFTER MUFFLER KIT ROTAX
PART # 978650.

SEE ALSO T/C A4-4068,
MODIFIED CAP SCREWS.
WHICH INCLUDES
PART #
104553 - BOLT STREAMLINE BOTTOM KNUCKLE
101745 - BOLT D/TUBE BOTTOM KNUCKLE
102290 - TOW ROD FIXING SCREW
101326 - BOLT M8 A/FRAME TOP
103358 - FUN A/FRAME TOP BOLT
102919 - DRAG LINK TYPE 2 FRONT MOUNT BOLT

SEE SHEET 3 FOR 108522

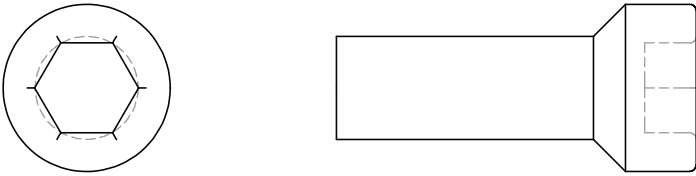
Rev	AMENDMENTS	Date
4	DCR 2265, ADD 108101	09-10-06
5	DCR 2276, ADD 108176	31-10-06
6	ADD 108522	10-04-07
7	DCR 2343 XT-08 DEV ADD 108875/6	07-01-08
8	DCR 2379 REMODEL AFTER SILENCER MOUNT	29-07-08

LAST ACESSED: Wednesday, 26 May 2010
ALL DIMENSIONS IN MILLIMETERS UNLESS STATED OTHERWISE

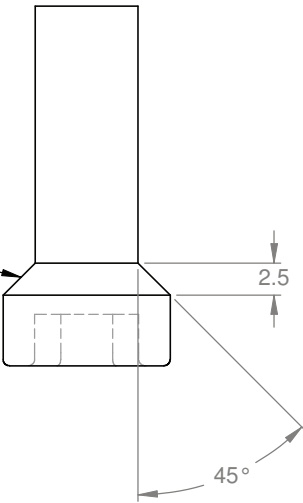
CAP SCREW FOR KINGPOST LOCATOR - TURN HEAD TO $\varnothing 8$ mm

SKT CAP SCREW METRIC - DESIGN TABLE

Drawn By	Scale	Date		5603 SHEET 1 of 3
Simon	1:1	08/05/03		



MACHINE THIS FACE ONLY
AT 45 DEG.



NOTE
CHAMFER ADDED TO STANDARD BOLT ON LATHE,
USED IN 582 EXHAUST MANIFOLDS WHERE
STANDARD BOLT WILL NOT FIT.

Rev	AMENDMENTS	Date

PART NO. 107394

LAST ACESSED: Wednesday, 26 May 2010

ALL DIMENSIONS IN MILLIMETERS UNLESS STATED OTHERWISE

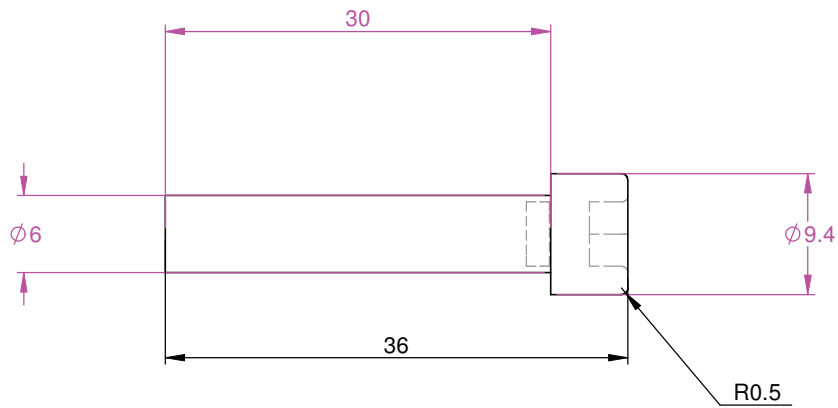
SKT CAP SCREW M 8 X 20 MODIFIED

Drawn By	Scale	Date
Simon	2:1	02/03/03



5603
SHEET 2 of 3

ITEM NO.	PART NO.	NAME	MATERIAL DESCRIPTION	MATL. NO.	REQD
1	108522	SKT CAP SCREW M 6 X 30 SS MODIFIED	SKT CAP SCREW M 6 X 30 SS	107141	1



Rev	AMENDMENTS	Date

PART NO. 108522

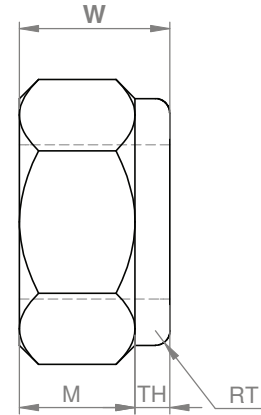
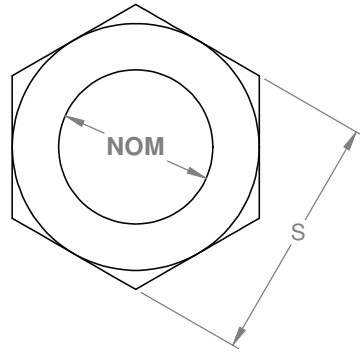
LAST ACESSED: Wednesday, 26 May 2010
 ALL DIMENSIONS IN MILLIMETERS UNLESS STATED OTHERWISE

SKT CAP SCREW M 6 X 30 SS MODIFIED

Drawn By	Scale	Date
Simon	2:1	21-01-08



5603
SHEET 3 of 3



Design Table for: 5604

PART NO.	NAME	DWG	MAT	MAT NO.	REQD	NOM	W
109509	NUT NYLOC M 2.5	5604	N/A	N/A	N/A	2.5	3.5
104306	NUT NYLOC M 3 FULL SS	5604	N/A	N/A	N/A	3	3.7
100911	NUT NYLOC M 4 FULL	5604	N/A	N/A	N/A	4	4.6
101365	NUT NYLOC M 5 FULL	5604	N/A	N/A	N/A	5	4.8
102132	NUT NYLOC M 6 FULL	5604	N/A	N/A	N/A	6	5.8
106771	NUT NYLOC M 6 TURNED DOWN (THIN)	5604	NUT NYLOC M 6 FULL	102132	1	6	4.8
100915	NUT NYLOC M 8 FULL	5604	N/A	N/A	N/A	8	7.8
100802	NUT NYLOC M 10 FULL	5604	N/A	N/A	N/A	10	10
102928	NUT NYLOC M 12 FULL	5604	N/A	N/A	N/A	12	11.8
103612	NUT NYLOC M 12 FULL - FINE	5604	N/A	N/A	N/A	12	11.8

THESE NUTS ARE MODELLED FROM THE EXISTING PARTS, AND MAY NOT BE FULLY DIMENSIONALLY ACCURATE.

Rev	AMENDMENTS	Date

PART NO. -

LAST ACESSED: Wednesday, 26 May 2010

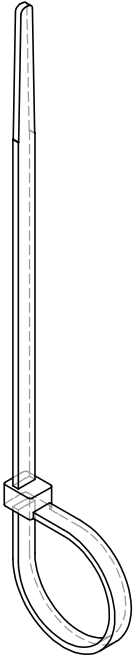
ALL DIMENSIONS IN MILLIMETERS UNLESS STATED OTHERWISE

METRIC NUTS FULL NYLOC - DESIGN TABLE

Drawn By	Scale	Date
Simon	3:1	09/05/03



5604
SHEET 1 of 1



ITEM NO.	PART NO.	NAME	MATERIAL DESCRIPTION	WIDTH	LENGTH
1	101192	CABLE TIE SHORT	PLASTIC	3.6	98
2	101193	CABLE TIE MED	PLASTIC	3.6	140
3	101194	CABLE TIE LONG	PLASTIC		290
4	102419	CABLE TIE X-LONG	PLASTIC		360

THERE IS NO DESIGN TABLE ASSOCIATED WITH THIS MODEL. ANY NEW PARTS MUST BE MANUALLY INCLUDED AND THIS DRAWING UPDATED, SEE 5605.XLS FOR PARTS

Rev	AMENDMENTS	Date

LAST ACESSED: Wednesday, 26 May 2010
 ALL DIMENSIONS IN MILLIMETERS UNLESS STATED OTHERWISE

CABLE TIES

Drawn By	Scale	Date
Cris	1:1	09/05/03

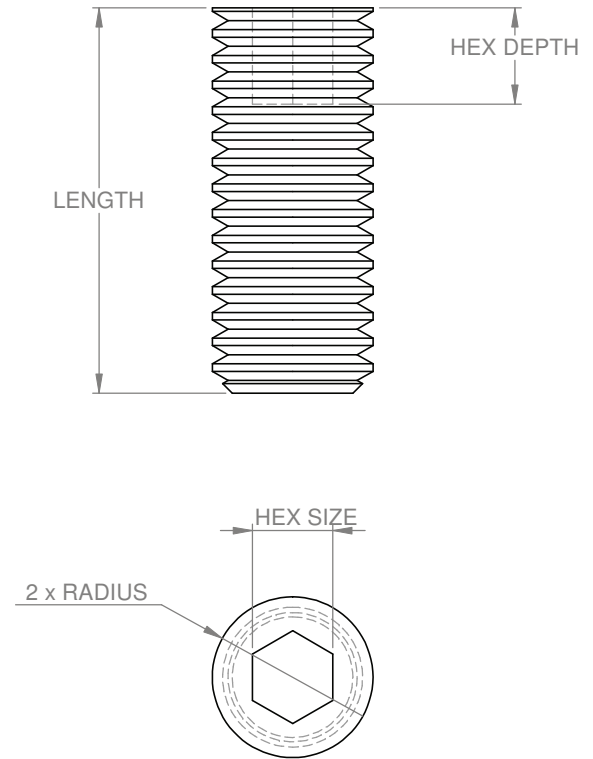


5605
 SHEET 1 of 1

Design Table for: 5631

	\$PARTNUMBER	\$PRP@NAME	Length@ Sketch1	Radius@ Sketch1	Hex Depth@ Base Hex Plane	Hex Size@Sketch2	End Chamfer@ Chamfer1	Thread Core Rad@Sketch3	Thread Start Point@Sketch3	Thread Pitch@LPattern1	No of Threads@ LPattern1
M8x8 SS	105400	Grub Screw M8x8 SS GR304	8	4	5	4	1	3.2332	0.625	1.25	7
M5x12 SS	105401	Grub Screw M5x12 SS GR304	12	2.5	3	2.5	0.625	2.0092	0.4	0.8	15

ABOVE DESIGN TABLE DATA IS NOT LINKED TO THE MODEL AND WILL NOT AUTOMATICALLY UPDATE.
 DATA OBTAINED BY MEASUREMENT - THREAD DATA ISO METRIC



Rev	AMENDMENTS	Date

PART NO. -

LAST ACESSED: Wednesday, 26 May 2010
 ALL DIMENSIONS IN MILLIMETERS UNLESS STATED OTHERWISE

METRIC GRUB SCREWS DESIGN TABLE

Drawn By	Scale	Date
MOLLO	5:1	15/05/03

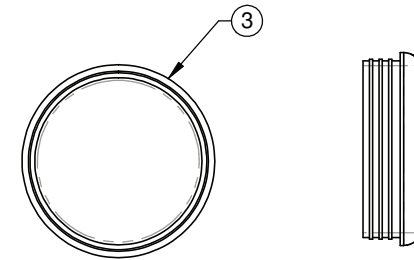


5631
 SHEET 1 of 1

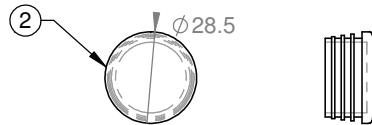
ITEM NO.	PART NO.	NAME	MATERIAL DESCRIPTION	MATL.NO.	REQD
1	103225	CAP ROUND TUBE CLOSURE 1IN	NA	NA	NA



ITEM NO.	PART NO.	NAME	MATERIAL DESCRIPTION	MATL.NO.	REQD
3	101718	CAP ROUND TUBE CLOSURE 57MM	NA	NA	NA

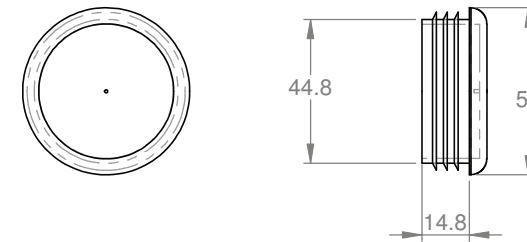
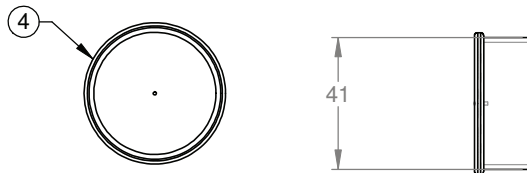


ITEM NO.	PART NO.	NAME	MATERIAL DESCRIPTION	MATL.NO.	REQD
2	103226	CAP ROUND TUBE CLOSURE 1-1/8IN	NA	NA	NA



ITEM NO.	PART NO.	NAME	MATERIAL DESCRIPTION	MATL.NO.	REQD
5	103628	ENDCAP FOR 50X.9MM TUBE	NA	NA	NA

ITEM NO.	PART NO.	NAME	MATERIAL DESCRIPTION	MATL.NO.	REQD
4	101729	CAP ENDCAP FOR 45MM TUBE	NA	NA	NA



THESE ARE BOUGHT NON STRUCTURAL COMPONENTS, THE MODELS ARE NOT DIMENSIONALLY CORRECT.

Rev	AMENDMENTS	Date
1	NAMING CHANGE TO MATCH FP	20/10/04

LAST ACESSED: Wednesday, 26 May 2010
ALL DIMENSIONS IN MILLIMETERS UNLESS STATED OTHERWISE

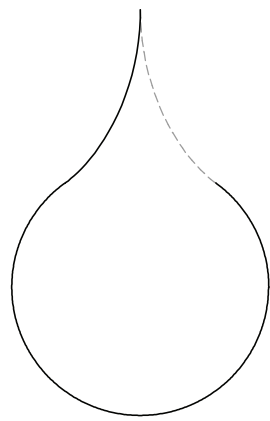
CAP ROUND TUBE CLOSURES

Drawn By	Scale	Date
Cris	1:2	14/05/03



5633
SHEET 1 of 1

LOCTITE 567 WHITE THREAD SEALANT	103705
LOCTITE 243 BLUE MID STRENGTH	103706
LOCTITE 406 INSTANT ADHESIVE	103707
LOCTITE 641 BEARING LOCK	103708
LOCTITE 262 RED HIGH STRENGTH	103723
PETROLEUM JELLY	104035
HYSOL EPOXY 9360 1 QT KIT	104218
LOCTITE 7471 PRIMER	104448
SOLDER RESIN CORE 1.6MM	104605
LOCTITE 222 MAGENTA LOW STRENGT	105432
LOCTITE 454 INSTANT AHDESIVE GEL	105433
LOCTITE 767 ANTI-SEIZE	105472
SILICON INSTANT GASKET	105721
LOCTITE 648 HIGH TEMP	105992
DRI LUBE SOLID LUBE	106432
TAPE THREAD - WHITE (GENERAL)	106602
TAPE THREAD - YELLOW (GAS)	106603
RUST PROTECTANT ARP LIQUID	106730
HEAT TRANSFER PASTE	106817
VALVE GRIND COMPOUND MEDIUM	107223
VALVE GRIND COMPOUND COARSE	107224
HAIR SPRAY	107422
LANOTEC GP-21	107734
SIKAFLEX-227 ADHESIVE	108865
SPRAY ADHESIVE	109664
TORQUE SEAL BLUE F900	109745
FIBREGLASS TAPE 1-8IN-60YD ROLL	104496



NOTE:
 FOR ALL LIQUIDS
 1 DROP = 1ml IN FOXPRO
 1 DROP = 0.025 CAN IN FOXPRO (HAIR SPRAY ONLY)
 1 DROP = 10ml IN FOXPRO (ANTI-RUST ONLY)

Rev	AMENDMENTS	Date
1	DCR 2344 XT-07 DEV	01-02-08
2	DCR 2386 LOCTITE CHANGE	09-09-08
3	DCR 2428 - REV DEV	22-10-09

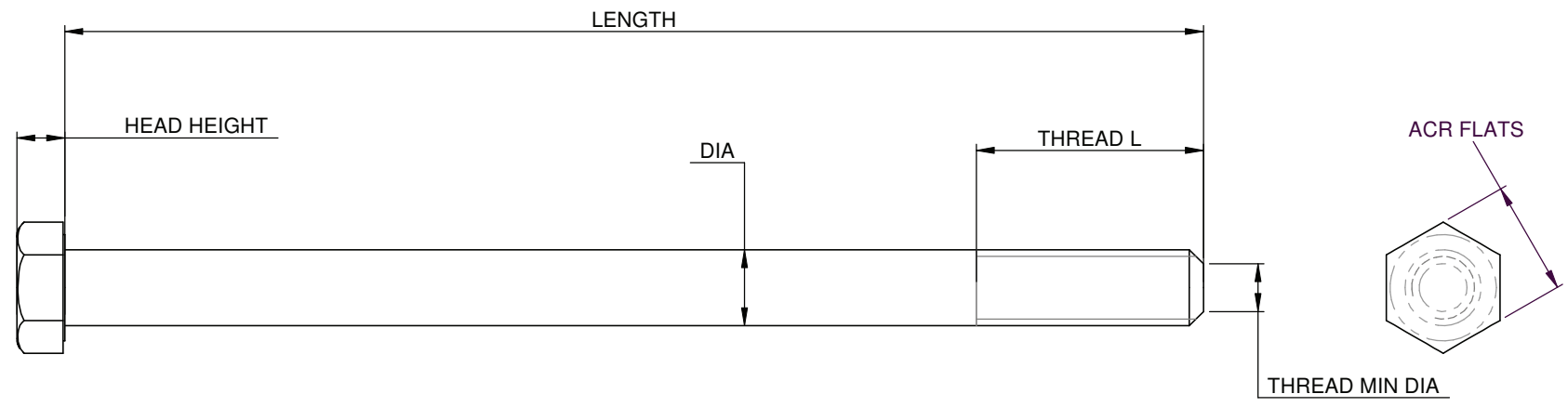
LAST ACESSED: Wednesday, 26 May 2010
 ALL DIMENSIONS IN MILLIMETERS UNLESS STATED OTHERWISE

GLUES AND SEALANTS - DESIGN TABLE

Drawn By	Scale	Date		5637 SHEET 1 of 1
MOLLO	10:1	15/05/03		

Design Table for: hex bolt UNC

PART NO.	NAME	DWG	ACR FLATS	LENGTH	DIA	HEAD HEIGHT	THREAD L	THREAD MIN DIA
105326	UNC BOLT 1-2x7 1-2" BLK	5660	19	7.5*25.4	1/2*25.4	8	38	10.5



NOTE: THIS DESIGN TABLE IS NOT LINKED TO THE MODEL. ANY CHANGES MUST BE UPDATED MANUALLY

Rev	AMENDMENTS	Date

LAST ACESSED: Wednesday, 26 May 2010
 ALL DIMENSIONS IN MILLIMETERS UNLESS STATED OTHERWISE

UNC BOLTS - DESIGN TABLE

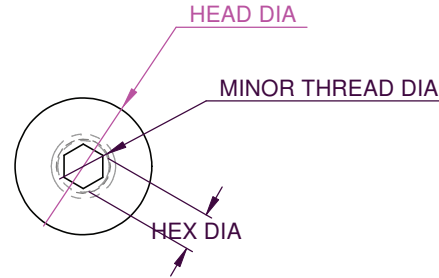
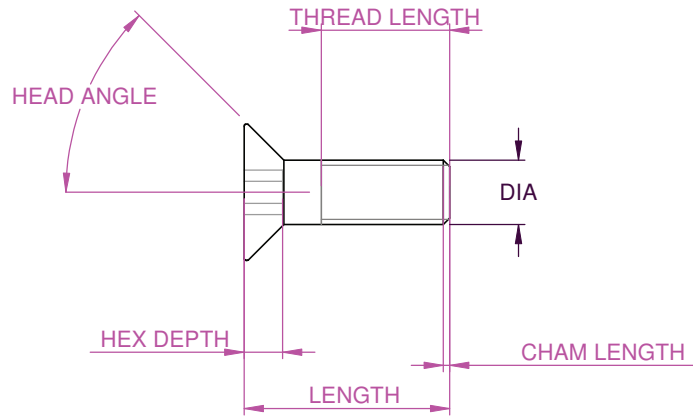
Drawn By	Scale	Date
Cris	1:1	03/06/03



5660
 SHEET 1 of 1

Design Table for: 5668

PART NO.	NAME	DIA	HEAD DIA	HEAD °	LENGTH	CHAM LENGTH	HEX DIA	HEX DEPTH	THREAD L	THREAD MINOR DIA	MATERIAL	MATL NO.
106344	SKT CSK SCREW M5x16 SS	5	11.2	45	16		3		10	4.2	NA	NA
105453	SKT CSK SCREW M6x45	6	13.44	45	45	0.5	4	3	35	5	NA	NA
101823	SKT CSK SCREW BSW 2.5x0.25"	6.35	11.4	45	2.5*25.4	0.5	4	3	32	4.8	NA	NA
105997	SKT CSK SCREW BSW 1-4" MOD 58L	6.35	11.4	45	58	0.5	4	3	23	4.8	SKT CSK SCREW BSW 2.5x0.25"	101823
106319	SKT CSK SCREW BSW 1-4" MOD 47L	6.35	11.4	45	47	0.5	4	3	23	4.8	SKT CSK SCREW BSW 2.5x0.25"	101823
102062	SKT CSK SCREW UNF 1-4" x 1"	6.35	12.5	40	25.4	0.5	4	3	19	4.8	NA	NA
109488	SKT CSK SCREW UNF 1-4IN X1IN BLACK	6.35	12.5	40	25.4	0.5	4	3	19	4.8	SKT CSK SCREW UNF 1-4" x 1"	102062
106275	SKT CSK SCREW M6x16 SS	6	13.44	45	16	0.5	4	3	10	5	NA	NA



Rev	AMENDMENTS	Date
1	UPDATED AND REMOVED PARTS WITH NO PART NUMBERS IN THE SYSTEM	04-06-04
2	ADDED 109488	21-11-08

LAST ACESSED: Wednesday, 26 May 2010
ALL DIMENSIONS IN MILLIMETERS UNLESS STATED OTHERWISE

SKT CAP SCREW COUNTERSINK - DESIGN TABLE

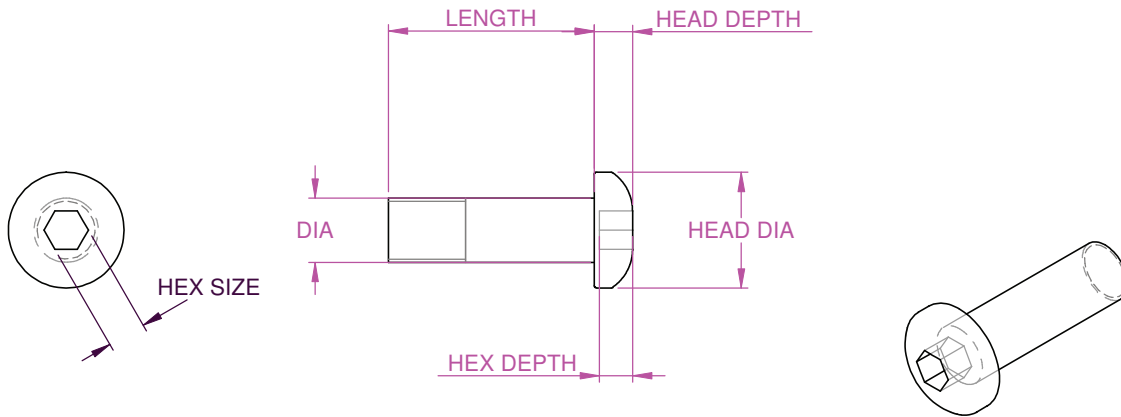
Drawn By	Scale	Date
Cris	2:1	22/05/03



5668
SHEET 1 of 1

Design Table for: 5677

PART NO.	NAME	MATERIAL	MAT. NO.	REQD
106172	SKT BUTTON SCREW M5 x 10	N/A	N/A	N/A
103182	SKT BUTTON SCREW M5 x 16	N/A	N/A	N/A
101752	SKT BUTTON SCREW M6 x 16	N/A	N/A	N/A
106621	SKT BUTTON SCREW M6 x 16 mod 13.4	SKT BUTTON SCREW M6 x 16	101752	1
106620	SKT BUTTON SCREW M8 x 7	SKT BUTTON SCREW M8x12 s304	106401	1
106401	SKT BUTTON SCREW M8 x 12 S304	N/A	N/A	N/A
109056	SKT BUTTON SCREW M4 x 12	N/A	N/A	N/A
109903	SKT BUTTON SCREW M5 x 50	N/A	N/A	N/A



Rev	AMENDMENTS	Date
1	DCR 2350 - ADD M4 X 12 SCREW	12-02-08
2	DCR 2428 - ADD 109903	06-11-09

LAST ACESSED: Wednesday, 26 May 2010

ALL DIMENSIONS IN MILLIMETERS UNLESS STATED OTHERWISE

SKT HEAD BUTTON SCREWS - DESIGN TABLE

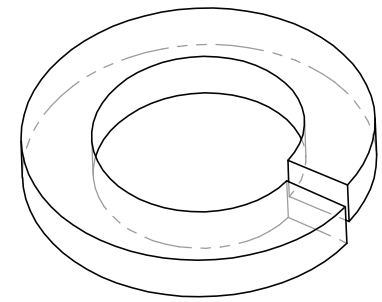
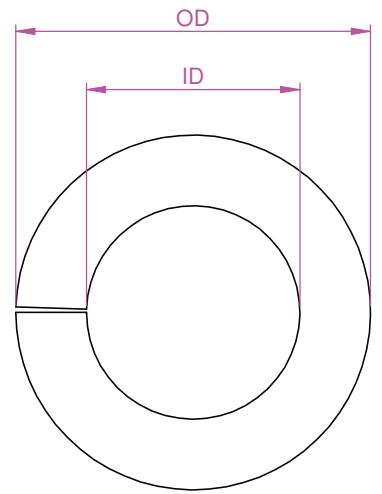
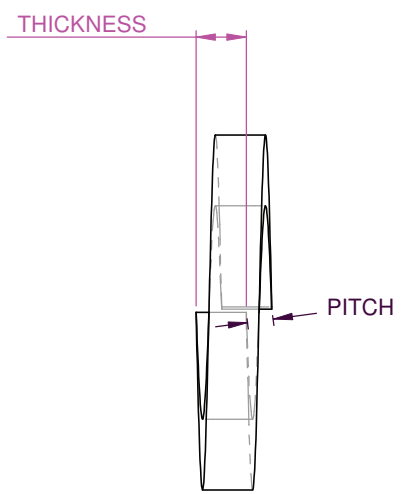
Drawn By	Scale	Date
Cris	2:1	23/05/03



5677
SHEET 1 of 1

Design Table for: 5679

PART NO.	NAME
102935	*SPRING WASHER 1-4" ZINC
101366	SPRING WASHER 8 mm ZINC
104582	SPRING WASHER 6 mm ZINC
100600	SPRING WASHER 5-8"
103143	SPRING WASHER 3-8"
101367	SPRING WASHER 3-16"



NOTE:
WASHERS ARE FOR SW ASSEMBLY PURPOSES ONLY, MAY NOT BE DIMENSIONALLY ACURATE

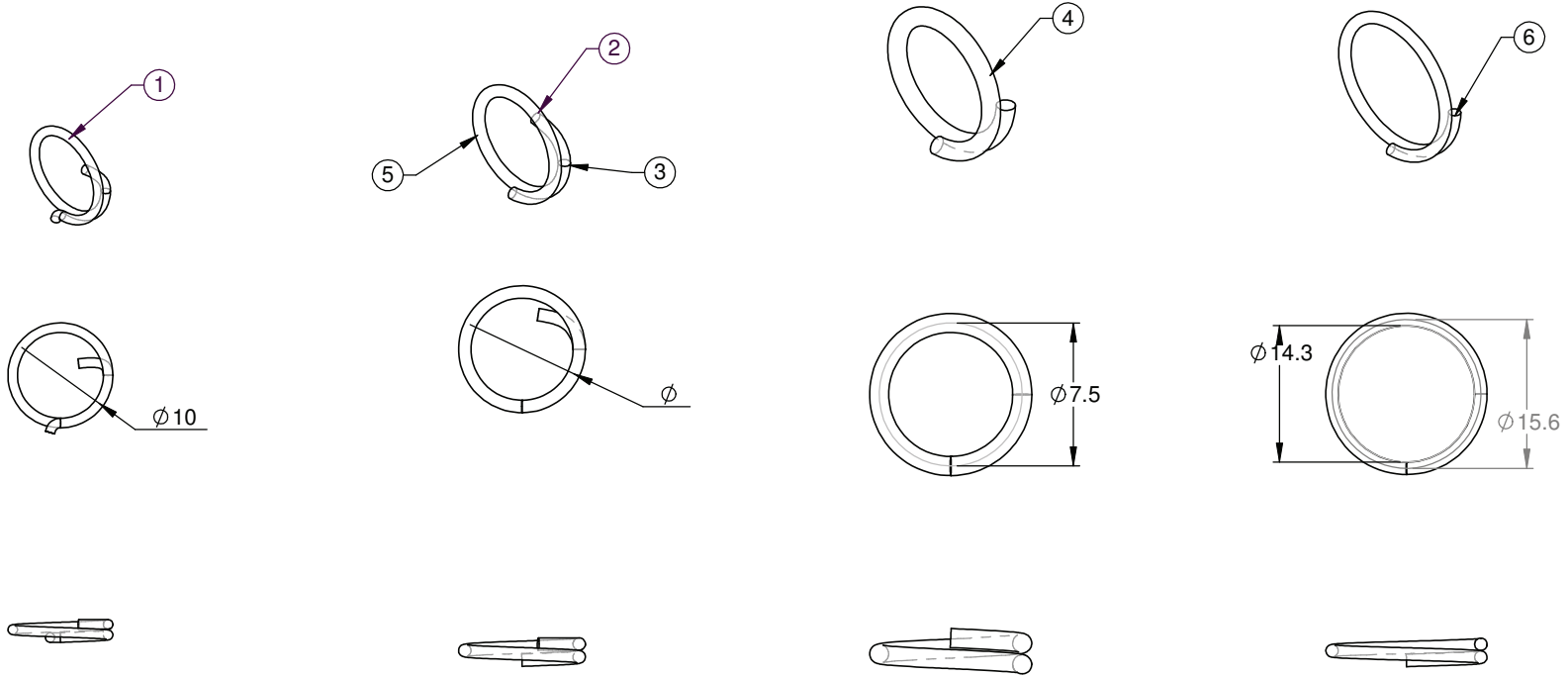
Rev	AMENDMENTS	Date
1	101366 CHANGED FROM 5/16"	30/07/03
2	1/4" OBSOLETE, NOW 6mm	18/10/04

LAST ACESSED: Wednesday, 26 May 2010
ALL DIMENSIONS IN MILLIMETERS UNLESS STATED OTHERWISE

SPRING WASHERS - DESIGN TABLE			
Drawn By	Scale	Date	
Cris	2:1	23/05/03	 5679 SHEET 1 of 1

ITEM NO.	PART NO.	NAME	MATERIAL
1	105508	SPLIT RING 10MM - PIP PIN	SS
2	100950	SPLIT RING 11MM RF114	SS
3	100955	SPLIT RING 22MM RF687	SS
4	104967	SPLIT RING 7.5MM SBR1011	SS
5	106707	SPLIT RING 25MM BRS RELEASE SAFETY	SS
6	109756	SPLIT RING 14MM RF686	SS

NOTE: BOM IS NOT LINKED TO PARTS
SEE 5720.XLS SHEET FOR PARTS LIST



Rev	AMENDMENTS	Date
1	ADDED 104967, SUPERCEDED 6472	02-06-04
2	DCR 2402 T SERIES DEV, ADD 109756	23-07-09

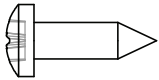
LAST ACESSED: Wednesday, 26 May 2010
ALL DIMENSIONS IN MILLIMETERS UNLESS STATED OTHERWISE

LOCKING RINGS - DESIGN TABLE

Drawn By	Scale	Date	5720	
Cris	1.5:1	06/06/03	SHEET 1 of 1	



Design Table for: 5910			
PART NO.	NAME	LENGTH	DIAMETER
105703	SCREW SELF-TAPPING 1-2x6g 304SS	3/8*25.4	2.85
104188	SCREW SELF-TAPPING 1-2x6g 304SS	1/2*25.4	3.45
105140	SCREW SELF-TAPPING 1-4x8g 304SS	1/4*25.4	2.85
104315	SCREW PHILIPS PAN 4GX6MM ZINC	1/4*25.4	2.85



Rev	AMENDMENTS	Date
1	DCR 2428 - REV DEV	21-12-09

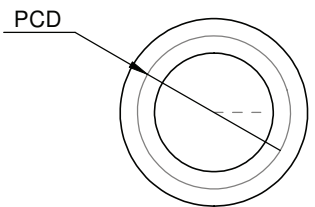
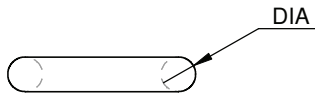
LAST ACESSED: Wednesday, 26 May 2010
 ALL DIMENSIONS IN MILLIMETERS UNLESS STATED OTHERWISE

SCREWS SELF TAPPING -DESIGN TABLE

Drawn By	Scale	Date
Cris	2:1	24/07/03



5909
 SHEET 1 of 1



PART NO	NAME	DWG	DIA	PCD
105488	O-RING DRAIN COCK CAV-160	5932	1/16"	13/64"
100906	O-RING CYL HEAD #831790	5932		
103181	O-RING FUEL TANK	5932	9/64"	5/8"
100846	O-RING G-BOX 850360	5932		
100847	O-RING G-BOX 850430	5932		
102391	O-RING RUBBER M20x5	5932		

THIS DESIGN TABLE IS NOT LINKED TO THE MODEL
ANY CHANGES MUST BE UPDATED MANUALLY

Rev	AMENDMENTS	Date

LAST ACESSED: Wednesday, 26 May 2010
ALL DIMENSIONS IN MILLIMETERS UNLESS STATED OTHERWISE



O-RING - DESIGN TABLE

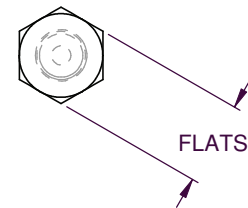
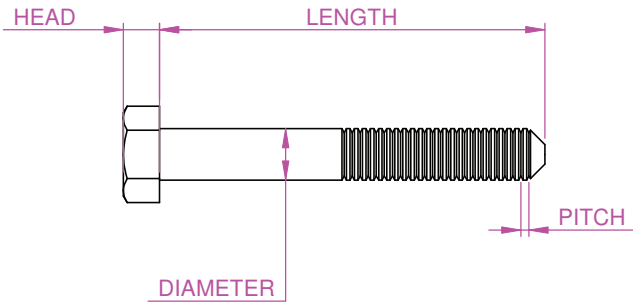
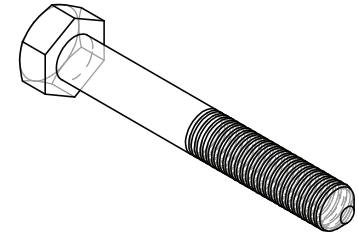
Drawn By	Scale	Date
Cris	1.5:1	30/07/03



5932
SHEET 1 of 1

Design Table for: METRIC BOLTS

PART NO.	NAME	LENGTH	DIA
BOLT 4.6 GR M8x60 ZINC	BOLT 4.6 GR M8x60 ZINC	60	8
BOLT 4.6 GR M8x80 ZINC	BOLT 4.6 GR M8x80 ZINC	80	8
BOLT 4.6 GR M8x100 ZINC	BOLT 4.6 GR M8x100 ZINC	100	8
BOLT 8.8 GR M12x220	BOLT 8.8 GR M12x220	220	12
BOLT 8.8 GR M8x12	BOLT 8.8 GR M8x12	12	8
BOLT 8.8 GR M8x15	BOLT 8.8 GR M8x15	15	8
BOLT 8.8 GR M8x70	BOLT 8.8 GR M8x70	70	8
BOLT 8.8 GR M8x75	BOLT 8.8 GR M8x75	75	8
BOLT 8.8 GR M8x75 DRILLED HEAD	BOLT 8.8 GR M8x75 DRILLED HEAD	75	8
BOLT 8.8 GR M8x80	BOLT 8.8 GR M8x80	80	8
BOLT 8.8 GR M8x90	BOLT 8.8 GR M8x90 GLD PASSIV	90	8
BOLT 8.8 GR M8x100	BOLT 8.8 GR M8x100	100	8
BOLT 8.8 GR M8x120	BOLT 8.8 GR M8x120	120	8
BOLT 8.8 GR M8x150	BOLT 8.8 GR M8x150	150	8
BOLT M5x20	BOLT M5x20	20	5
BOLT 8.8 GR M8x90 BLK	BOLT 8.8 GR M8x90 BLK	90	8



Rev	AMENDMENTS	Date
1	M8x110 (#104735) DELETED - DCR 2025	20/10/04

LAST ACESSED: Wednesday, 26 May 2010
 ALL DIMENSIONS IN MILLIMETERS UNLESS STATED OTHERWISE



METRIC BOLTS - DESIGN TABLE

Drawn By	Scale	Date
Cris	1:1	30/07/03

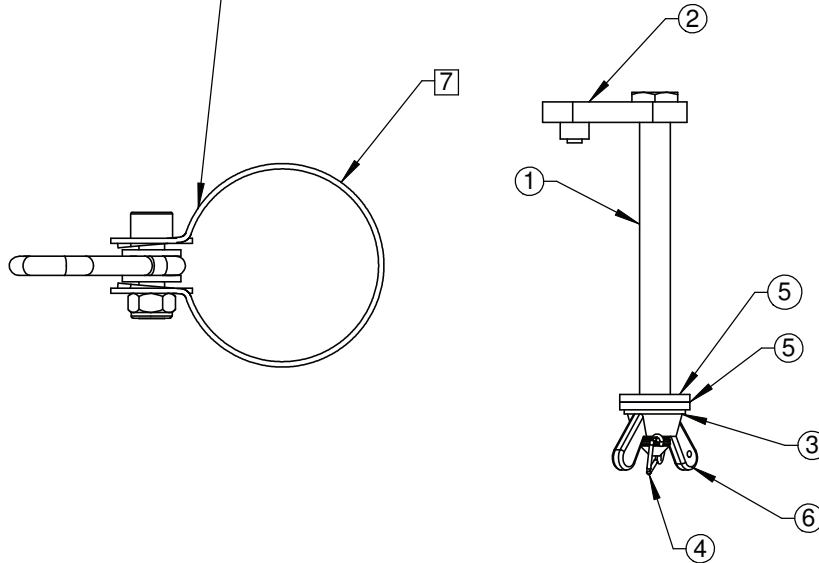


5935
 SHEET 1 of 1

24 OPTIONS – HEART BOLT, PARACHUTE, RADIO, SERVICE KIT

<i>24.1 Wing Attachment Kit</i>	-	<i>Drawing # 7839</i>
<i>24.2 Parachute Subasm BRS</i>	-	<i>Drawing # 5904</i>
24.2.1 Parachute Rocket Asm BRS	-	<i>Drawing # 6512</i>
<i>24.3 Radio Subasm</i>	-	<i>Drawing # 6587</i>
24.3.1 Elec Wire Loom Radio XT	-	<i>Drawing # 6550</i>
<i>24.4 Lynx Radio Options</i>	-	<i>Drawing # 6588</i>

NOTE:
 1. MOUNT TRIMMER CLAMP TO MAST, 500MM DOWN FROM TOP OF SILVER MAST TUBE (NOT THE BLACK MAST TOP ADAPTER), WITH THE SNAP HOOK FACING REARWARD AND OPENING GATE DOWN.
 2. IF THE CENTRE OF GRAVITY IS MOVED FORWARD ON THE WING KEEL, THE MAST CLAMP NEEDS TO BE RAISED UP THE MAST BY 20MM. IF THE CoG IS MOVED REARWARD, THE MAST CLAMP WILL NEED TO BE LOWERED BY 20MM.



ITEM NO.	NAME	DWG	PART NO.	QTY.
1	BOLT AN6-41	5494	100033	1
2	RETAINER ASM BOLT HEAD	5218	104739	1
3	WASHER SS304 3/8 X 3/4	5540	100924	1
4	SAFETY PIN	5545	100920	1
5	WASHER NYLON M10 STND	5540	100619	2
6	WINGNUT AN6	5534	101065	1
7	TRIMMER MAST ASM T SERIES	7868	109816	1

Rev	AMENDMENTS	Date
1	DCR 2402 T SERIES DEV	18-06-09

PART NO. 109716

LAST ACESSED: Wednesday, 26 May 2010
 ALL DIMENSIONS IN MILLIMETERS UNLESS STATED OTHERWISE

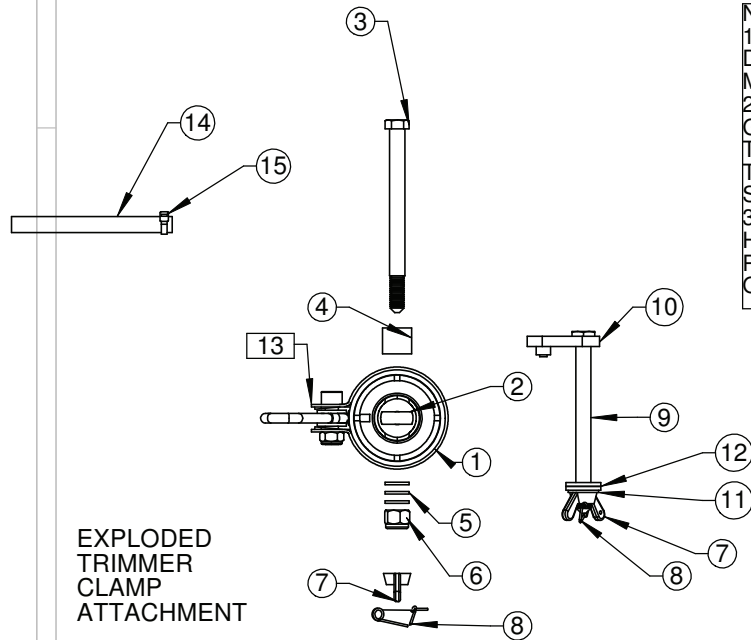
WING ATTACHMENT KIT T SERIES

Drawn By	Scale	Date
Stuart	1:2	18-06-09



7839
 SHEET 1 of 3

ITEM NO.	NAME	DWG	PART NO.	QTY.
1	MAST TUBE EDGE XT WITH INT SLEEVE TYPE 2	7859	109774	1
2	MAST SAFETY WIRE ASM XT TYPE 2 WITH CAP	7867	109812	1
3	BOLT SAE 5 UNF 3/8X 4-1/2IN DRILLED	7846	109729	1
4	SPACER ALLOY OD 18X ID 25-64X 16L	4013	109732	1
5	WASHER AN6	5540	100044	3
6	NUT NYLOC AN6 FULL	5535	100038	1
7	WINGNUT AN6	5534	101065	2
8	SAFETY PIN	5545	100920	2
9	BOLT AN6-41	5494	100033	1
10	RETAINER ASM BOLT HEAD	5218	104739	1
11	WASHER SS304 3/8 X 3/4	5540	100924	1
12	WASHER NYLON M10 STND	5540	100619	2
13	TRIMMER MAST ASM T SERIES	7868	109816	1
14	MANUAL PAGES XT 912 S3/CZ AOI	6582	107605	1
15	CABLE TIE (SHORT) 100 X 2.5MM BLACK	5605	101192	1

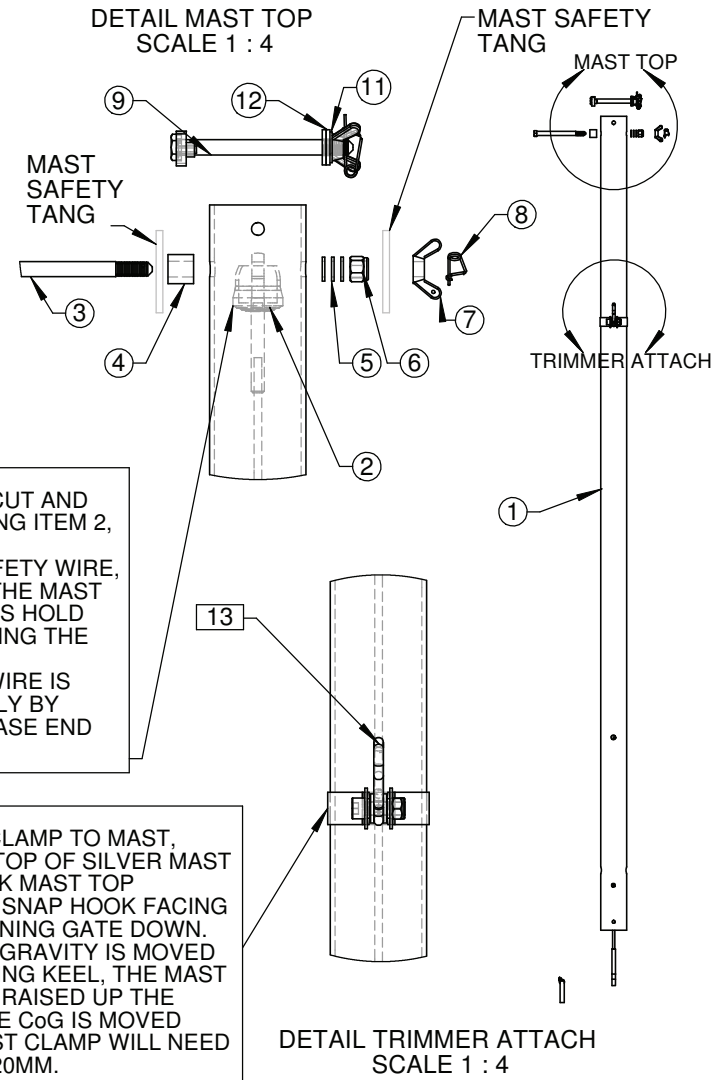


EXPLODED TRIMMER CLAMP ATTACHMENT

PART NO. 109718

NOTE:
 1. SAFETY WIRE NEEDS TO BE CUT AND DISCARDED WHEN RETROFITTING ITEM 2, MAST SAFETY WIRE.
 2. WHEN FITTING THE MAST SAFETY WIRE, GUIDE THE RUBBER CAP INTO THE MAST TOP ADAPTER SO THAT IT HELPS HOLD THE WIRE IN PLACE WHILE FITTING THE SECURING BOLT.
 3. CHECK THAT MAST SAFETY WIRE IS HELD IN PLACE AFTER ASSEMBLY BY PULLING FIRMLY ON WIRE AT BASE END OF MAST.

NOTE:
 1. MOUNT TRIMMER CLAMP TO MAST, 500MM DOWN FROM TOP OF SILVER MAST TUBE (NOT THE BLACK MAST TOP ADAPTER), WITH THE SNAP HOOK FACING REARWARD AND OPENING GATE DOWN.
 2. IF THE CENTRE OF GRAVITY IS MOVED FORWARD ON THE WING KEEL, THE MAST CLAMP NEEDS TO BE RAISED UP THE MAST BY 20MM. IF THE CoG IS MOVED REARWARD, THE MAST CLAMP WILL NEED TO BE LOWERED BY 20MM.



Rev	AMENDMENTS	Date

LAST ACESSED: Wednesday, 26 May 2010
 ALL DIMENSIONS IN MILLIMETERS UNLESS STATED OTHERWISE

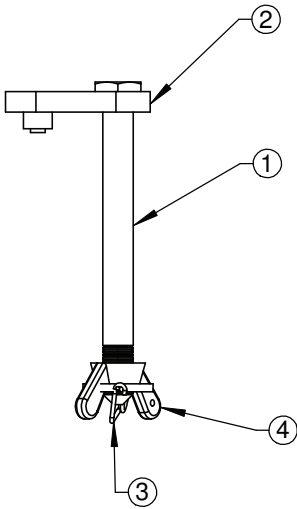
WING ATTACHMENT KIT SST RETRO

Drawn By	Scale	Date
Stuart	1:3	01-11-07



7839
 SHEET 2 of 3

ITEM NO.	NAME	DWG	PART NO.	QTY.
1	BOLT AN6-35	5494	106347	1
2	RETAINER ASM BOLT HEAD	5218	104739	1
3	SAFETY PIN	5545	100920	1
4	WINGNUT AN6	5534	101065	1
5	WASHER NYLON M10 STND	5540	100619	1



Rev	AMENDMENTS	Date

PART NO. 109827

LAST ACESSED: Wednesday, 26 May 2010
 ALL DIMENSIONS IN MILLIMETERS UNLESS STATED OTHERWISE

WING ATTACHMENT KIT 60 MM

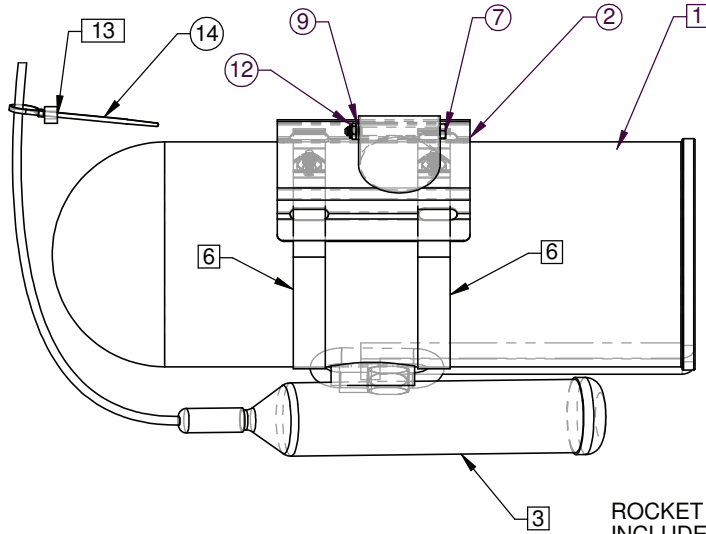
Drawn By	Scale	Date
Stuart	1:2	31-08-09



7839
 SHEET 3 of 3

ITEM NO.	NAME	DWG	PART NO.	QTY
1	PARACHUTE CANISTER BRS 1050	5902	106709	1
2	PARACHUTE MOUNT BRS XT COMPONENT	5905	105724	1
3	PARACHUTE ROCKET ASM BRS XT	6512	106545	1
4	PARACHUTE BRIDLE BRS XT	6518	106551	1
5	CARBINER 12MM (SCREW TYPE)	6522	106555	1
6	CLAMP PARACHUTE BRS	6517	106550	2
7	BOLT AN4-27A	5450	100010	1
8	SKT BUTTON SCREW M6 X 16 SS304	5677	101752	2
9	WASHER AN4	5540	100042	1
10	WASHER SS304 1/4 X 3/4IN	5540	102018	4
11	NUT NYLOC M 6 ZINC	5604	102132	2
12	NUT NYLOC AN4 HALF	5561	100035	1
13	HOSE BUSH 6ID X 10L	5726	106720	1
14	CABLE TIE (MEDIUM) 140MM	5605	101193	1

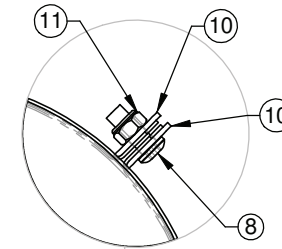
CABLE TIE TO OIL TANK



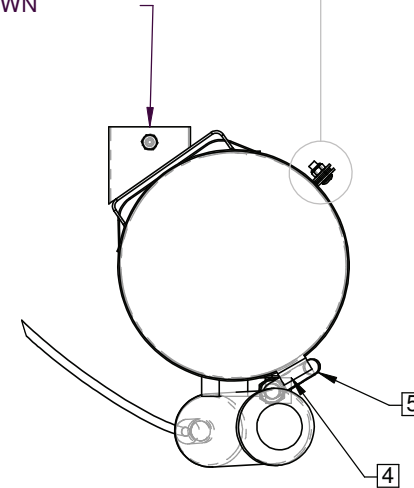
ROCKET SUB-ASSEMBLY
INCLUDES RELEASE HANDLE
NOT SHOWN HERE

NOTE:
PURCHASED PART. PARACHUTE MICROLIGHT BRS 1050
INCLUDES, CANISTER, ROCKET RELEASE HANDLE ETC
PART NO. 105524 (INCLUDED IN FOXPRO A4-5904)
PARTS SHOWN HERE THAT MAKE UP 105524
ARE REFERENCED IN FOXPRO

FIT THIS END ONTO PARACHUTE MOUNT
INTERNAL TUBE ON TRIKE (SEE 5659)
ATTACH WITH BOLT AS SHOWN



WEIGHT INCLUDING
RELEASE HANDLE
BRACKETS ETC =
APPROXIMATELY 12 kg



PARACHUTE BRIDGE
SCHEMATIC FOR BOM
PURPOSES ONLY

UPDATE GJP FORMS WITH REV CHANGE

Rev	AMENDMENTS	Date
1	KIT ADDED SHEET 2, PARTS REMOVED	25/03/04
2	DCR 2258, CHANGE EYEBOLT P #	05-09-06

PART NO. 105723 -

LAST ACESSED: Wednesday, 26 May 2010

ALL DIMENSIONS IN MILLIMETERS UNLESS STATED OTHERWISE

PARACHUTE SUBASM BRS XT OPTION

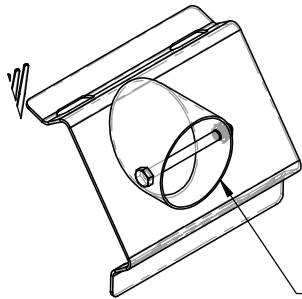
Drawn By	Scale	Date
Cris	1:5	22/07/03



5904
SHEET 1 of 2



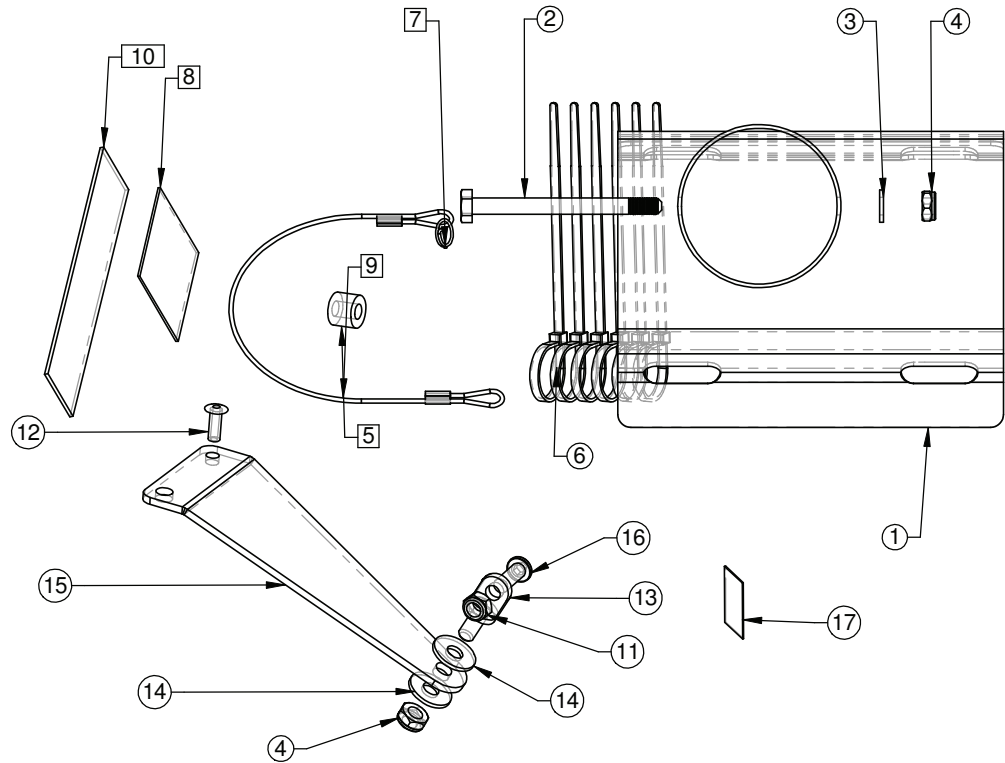
ITEM NO.	NAME	DWG	PART NO.	QTY.
1	PARACHUTE MOUNT BRS XT COMPONENT	5905	105724	1
2	BOLT AN4-27A	5450	100010	1
3	WASHER AN4	5540	100042	1
4	NUT NYLOC AN4 HALF	5561	100035	2
5	HOSE BUSH 6ID X 10L	5726	106720	1
6	CABLE TIE (MEDIUM) 140MM	5605	101193	6
7	SPLIT RING 10MM - PIP PIN	5720	105508	1
8	VELCRO LOOP 50X 40	6313	106664	1
9	PARACHUTE RELEASE TAG SAFETY CABLE XT	6553	106773	1
10	VELCRO HOOK 25 X 120L ADHESVE	6312	106774	1
11	NUT NYLOC M 6	5604	102132	1
12	POP RIVET STST 6 - 6 3/16	5515	102205	1
13	EYEBOLT AN43B- 4A DRILLED 1-4IN	6538	108089	1
14	WASHER NYLON M 6 XOD	5540	101055	2
15	BRACKET PARACHUTE HANDLE XT	6537	106624	1
16	SKT BUTTON SCREW M6 X 16	5677	101752	1
17	PLACARD EMERGENCY PARACHUTE BRS PMY	5900	106647	1



FIT THIS END ONTO PARACHUTE MOUNT INTERNAL TUBE ON TRIKE (SEE 5659) ATTACH WITH BOLT AS SHOWN

PARTS BELOW REQUIRED FOR BRS PARACHUTE MOUNTING KIT

FOR INSTALLATION INSTRUCTIONS FOR THE BRS RECOVERY SYSTEM SEE ENGINEERING REPORT 04-210



SEE PARACHUTE KIT INSTALLATION DOCUMENTATION FOR ASSEMBLY INSTRUCTIONS ENGRPT 04/210

Rev	AMENDMENTS	Date

PART NO. 106374 -

LAST ACESSED: Wednesday, 26 May 2010

ALL DIMENSIONS IN MILLIMETERS UNLESS STATED OTHERWISE

PARACHUTE MOUNT KIT BRS XT

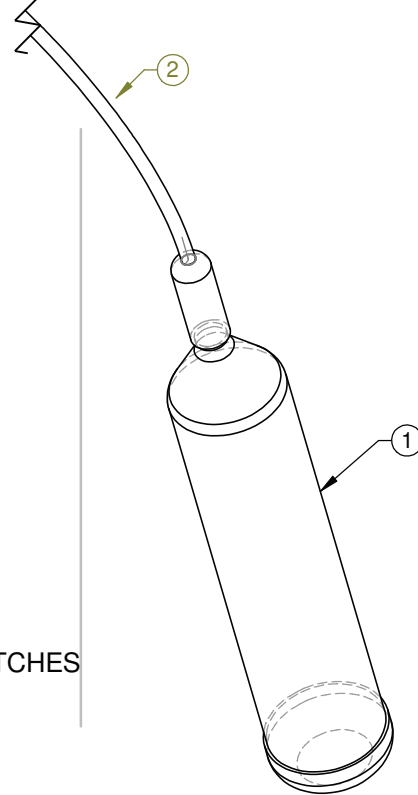
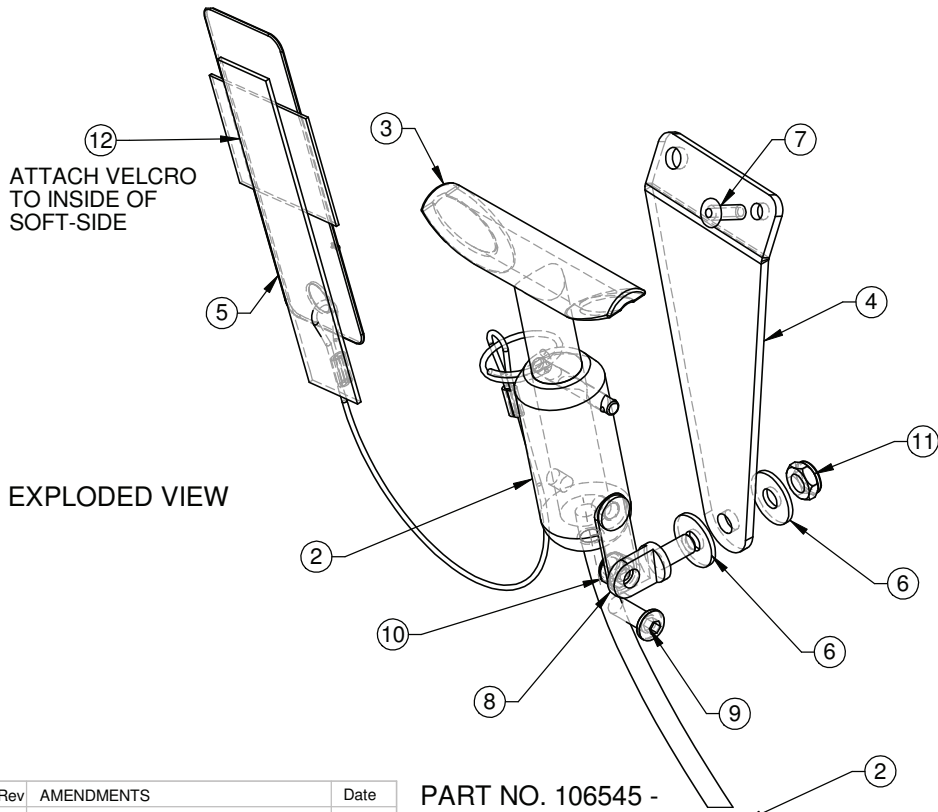
Drawn By	Scale	Date
Cris	1:2.5	06/05/03



5904
SHEET 2 of 2

ITEM NO.	NAME	DWG	PART NO.	QTY.
1	PARACHUTE ROCKET BRS	6511	106544	1
2	PARACHUTE RELEASE CABLE BRS	6514	106547	1
3	PARACHUTE RELEASE HANDLE BRS	6513	106546	1
4	BRACKET PARACHUTE HANDLE XT	6537	106624	1
5	PARACHUTE RELEASE TAG COMPLETE	6553	106657	1
6	WASHER NYLON M 6 XOD	5540	101055	2
7	POP RIVET SS 3/16 (6 - 6)	5515	102205	1
8	EYEBOLT AN43B- 4A DRILLED 1-4IN	6538	108089	1
9	SKT BUTTON SCREW M6 X 16 SS304	5677	101752	1
10	NUT NYLOC M 6 ZINC	5604	102132	1
11	NUT NYLOC AN4 HALF	5561	100035	1
12	VELCRO HOOK 25x120 ADHESIVE	6312	106774	1

NOTE:
PURCHASED PART. PARACHUTE MICROLIGHT BRS 1050
INCLUDES, CANISTER, ROCKET RELEASE HANDLE ETC
PART NO. 105524 (INCLUDED IN FOXPRO A4-5904)
PARTS SHOWN HERE THAT MAKE UP 105524
ARE REFERENCED IN FOXPRO



NOTE:
THIS MODEL HAS
DEPENDENT SKETCHES

Rev	AMENDMENTS	Date
1	DCR 2258, CHANGE EYEBOLT P #	05-09-06

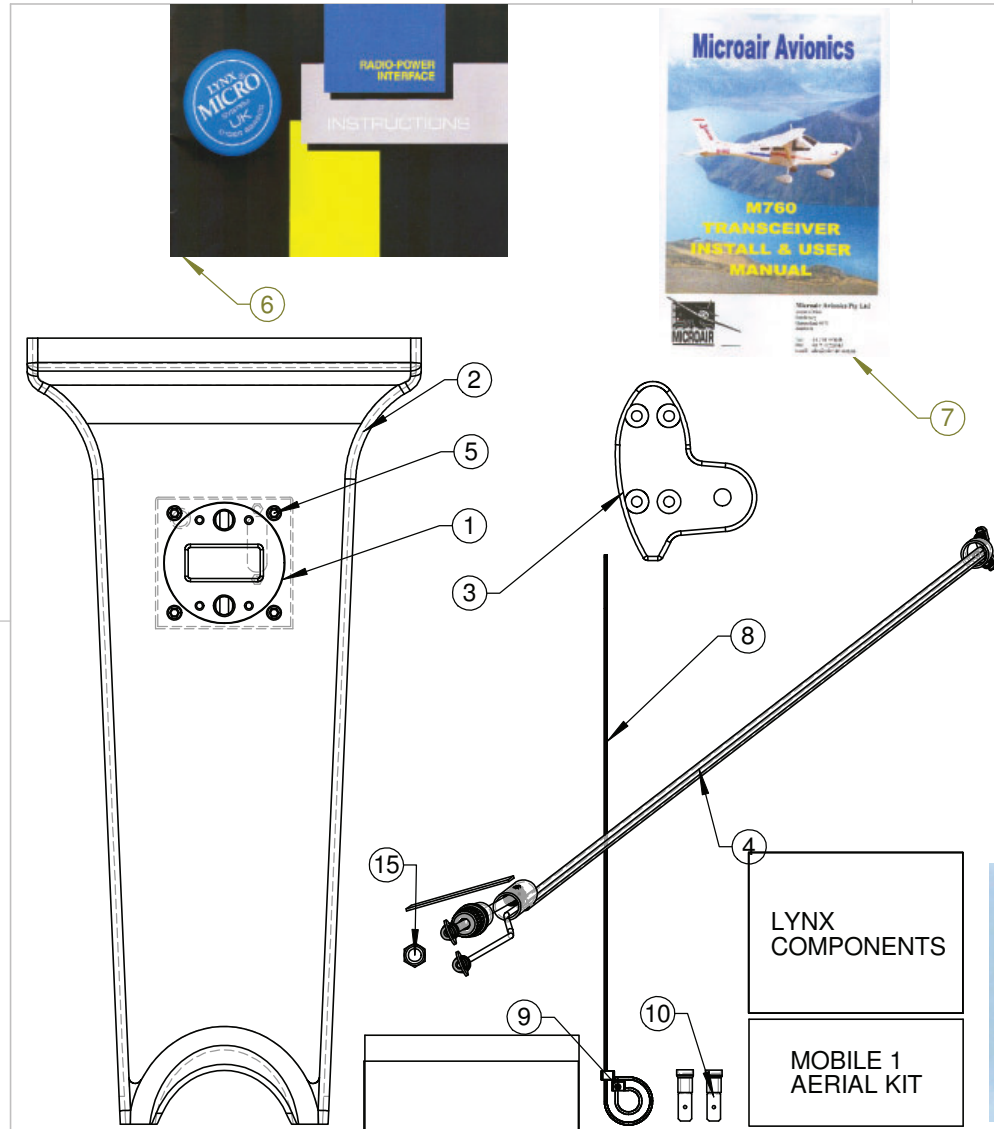
PART NO. 106545 -
LAST ACESSED: Wednesday, 26 May 2010
ALL DIMENSIONS IN MILLIMETERS UNLESS STATED OTHERWISE

PARACHUTE ROCKET ASM BRS XT

Drawn By	Scale	Date
Cris	1:3	6/08/04



6512
SHEET 1 of 1



6



7

ITEM NO.	NAME	DWG	PART NO.	QTY.
1	MICROAIR 760 VHF TRANSCEIVER	6273	104470	1
2	CONSOLE X-XT WITH MICRO-AIR CUTOUT	5756	106239	1
3	KINGPOST TOP FITTING PLATE AERO - AERIAL	6347	106282	1
4	WIRING LOOM RADIO XT	6550	106653	1
5	SKT CAP SCREW SS M 4 X 12	5603	102089	4
6	MANUAL LYNX RADIO-POWER & GUARANTEE	6930	106746	1
7	MANUAL MICROAIR M760 & WARRANTY	6930	106747	1
8	CABLE TIE (LONG) 292 X 3.5MM BLACK	5605	101194	6
9	CABLE TIE (SHORT) 100 X 2.5MM BLACK	5605	101192	2
10	CONNECTOR YELLOW SPADE MALE	6256	102230	2
11	AERIAL KIT	5429	105032	1
12	LYNX RADIO INTERFACE AND POWER ADAP	6588	101780	1
13	LYNX POWER SUPPLY LEAD	6588	101786	1
14	LYNX PTT SWITCH BAR MOUNT	6588	101781	1
15	NUT NYLOC M 6 TURNED DOWN (THIN)	5604	106771	1



12



14



15



11



13

PART NO. 106761

Rev	AMENDMENTS	Date
1	BOM, remove 106238	18/11/06

LAST ACESSED: Wednesday, 26 May 2010
ALL DIMENSIONS IN MILLIMETERS UNLESS STATED OTHERWISE

RADIO M760 OPTION XT912-B

Drawn By	Scale	Date
Simon	1:3	02/03/03



6587
SHEET 1 of 2



PHOTO SHOWS WIRE ROUTING AFTER INSTALL.

Rev	AMENDMENTS	Date

PART NO.

LAST ACESSED: Wednesday, 26 May 2010
 ALL DIMENSIONS IN MILLIMETERS UNLESS STATED OTHERWISE

Drawn By	Scale	Date	Part No.
Simon	1:3	02/03/03	6587

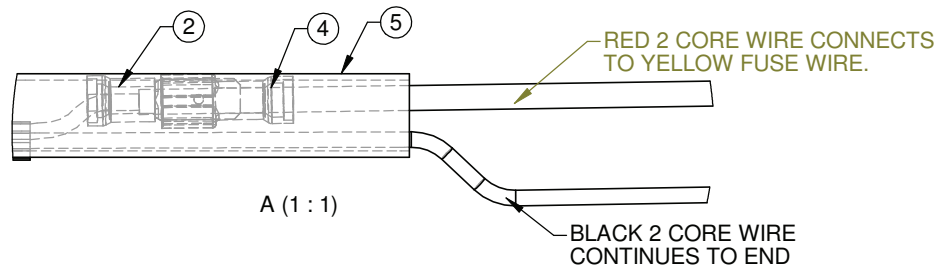


6587
SHEET 2 of 2

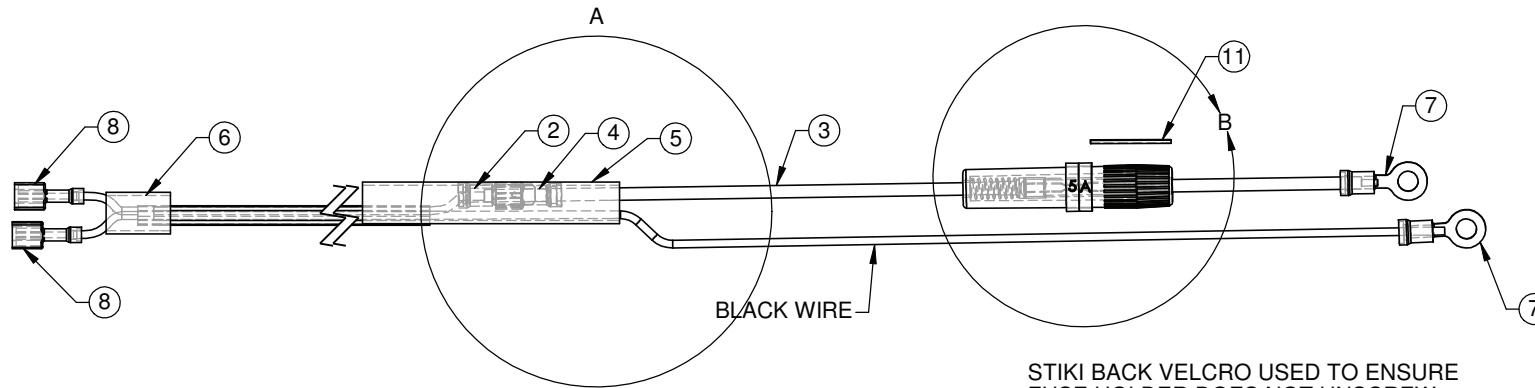
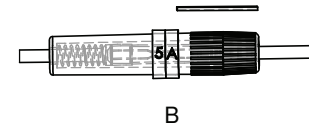
ITEM NO.	NAME	DWG	PART NO.	QTY.
1	WIRE 2 CORE X 2270	6549	106651	1
2	CONNECTOR YELLOW SPADE MALE	6256	102230	1
3	FUSE HOLDER INLINE WITH 5A	6259	106650	1
4	CONNECTOR SPADE FEMALE YELL (LARGE)	6257	103900	1
5	HEATSHRINK CLR 13mm x 80	5582	106379	1
6	HEATSHRINK BLK 13mm x 20	5582	106652	1
7	CONNECTOR YELLOW 6MM HOLE	6252	102232	2
8	CONNECTOR BLUE SPADE FEMALE	6254	102235	2
9	HEATSHRINK MARKER LEDGEND 5	6556	106661	1
10	HEATSHRINK MARKER LEDGEND A	6556	106662	1
11	VELCRO LOOP 25X 50 ADHESIVE	6313	105887	1

INSTRUCTIONS:

1. YELLOW MALE SPADE CONNECTOR ON RED WIRE
2. CLEAR FEMALE SPADE CONNECTOR ON YELLOW WIRE



DETAIL OF FUSE HEAT SHRINK MARKERS. ALIGNED WITH THE "A" CLOSEST TO THE SOLENOID +VE



Rev	AMENDMENTS	Date

PART NO. 106653 - 0

LAST ACESSED: Wednesday, 26 May 2010

ALL DIMENSIONS IN MILLIMETERS UNLESS STATED OTHERWISE

WIRING LOOM RADIO XT

Drawn By	Scale	Date
Simon	1:2	24-05-04



6550 SHEET 1 of 1

ITEM NO.	PART NO.	NAME
1	101778	LYNX MICRO SYSTEM HEADSET BLK

①



①

ITEM NO.	PART NO.	NAME
1	101790	LYNX HEADSET BAG

Rev	AMENDMENTS	Date

PART NO. 101778

LAST ACESSED: Wednesday, 26 May 2010

ALL DIMENSIONS IN MILLIMETERS UNLESS STATED OTHERWISE

LYNX MICRO SYSTEM HEADSET BLK

Drawn By	Scale	Date
Mollo	1:1	01/08/07



6588
SHEET 1 of 12

ITEM NO.	PART NO.	NAME
1	107250	LYNX RADIO INTERFACE TYPE A



1



1

ITEM NO.	PART NO.	NAME
1	108017	LYNX RADIO INTERFACE TYPE B



1

ITEM NO.	PART NO.	NAME
1	101780	LYNX RADIO INTERFACE AND POWER ADAP

Rev	AMENDMENTS	Date

PART NO. 101780

LAST ACESSED: Wednesday, 26 May 2010

ALL DIMENSIONS IN MILLIMETERS UNLESS STATED OTHERWISE

LYNX RADIO INTERFACE AND POWER ADAP

Drawn By	Scale	Date
Mollo	1:1	01/08/07



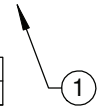
6588
SHEET 2 of 12



ITEM NO.	PART NO.	NAME
1	101776	LYNX HEADSET COUPLING ADAPTOR



ITEM NO.	PART NO.	NAME
1	101775	LYNX SWITCHING ADAPTOR



Rev	AMENDMENTS	Date

PART NO. 101776

LAST ACESSED: Wednesday, 26 May 2010
 ALL DIMENSIONS IN MILLIMETERS UNLESS STATED OTHERWISE

LYNX HEADSET COUPLING ADAPTOR

Drawn By	Scale	Date
Mollo	1:1	01/08/07



6588
 SHEET 3 of 12



ITEM NO.	PART NO.	NAME
1	108705	LYNX HEADSET LEAD COMBINER (TYPE A)

1

ITEM NO.	PART NO.	NAME
1	107249	LYNX HEADSET LEAD COMBINER (TYPE B)

1

Rev	AMENDMENTS	Date

PART NO. 108705

LAST ACESSED: Wednesday, 26 May 2010

ALL DIMENSIONS IN MILLIMETERS UNLESS STATED OTHERWISE

LYNX HEADSET LEAD COMBINER (TYPE A)

Drawn By	Scale	Date
Mollo	1:1	01/08/07

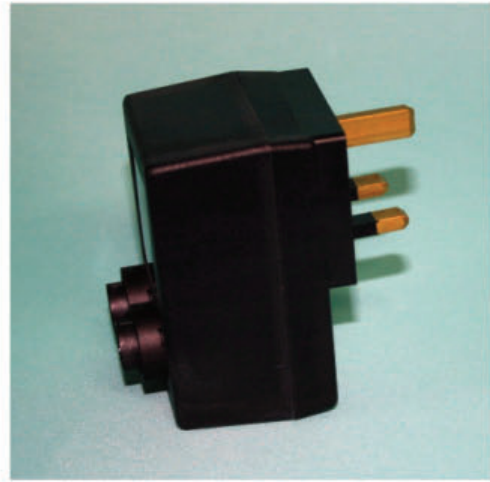


6588
SHEET 4 of 12



①

ITEM NO.	PART NO.	NAME
1	101797	LYNX DUAL CHARGER AUSTRALIAN PLUG



①

ITEM NO.	PART NO.	NAME
1	108708	LYNX DUAL CHARGER UK PLUG

Rev	AMENDMENTS	Date

PART NO. 101797
 LAST ACESSED: Wednesday, 26 May 2010
 ALL DIMENSIONS IN MILLIMETERS UNLESS STATED OTHERWISE

LYNX DUAL CHARGER AUSTRALIAN PLUG		
Drawn By	Scale	Date
Mollo	1:1	01/08/07

6588
SHEET 5 of 12



① ↗

ITEM NO.	PART NO.	NAME
1	107251	LYNX TWIN JACK ADAPTER

Rev	AMENDMENTS	Date

PART NO. 107251

LAST ACESSED: Wednesday, 26 May 2010
 ALL DIMENSIONS IN MILLIMETERS UNLESS STATED OTHERWISE

LYNX TWIN JACK ADAPTER

Drawn By	Scale	Date
Mollo	1:1	01/08/07



6588
 SHEET 6 of 12

ITEM NO.	PART NO.	NAME
1	106206	LYNX AUDIO INPUT/OUTPUT LEAD



1



1

ITEM NO.	PART NO.	NAME
1	101786	LYNX POWER SUPPLY LEAD



1

ITEM NO.	PART NO.	NAME
1	107248	LYNX AUDIO ADAPTER

Rev	AMENDMENTS	Date

PART NO. 107248

LAST ACESSED: Wednesday, 26 May 2010

ALL DIMENSIONS IN MILLIMETERS UNLESS STATED OTHERWISE

LYNX AUDIO ADAPTER

Drawn By	Scale	Date
Mollo	1:1	01/08/07



6588
SHEET 7 of 12



① ↗

ITEM NO.	PART NO.	NAME
1	101781	LYNX PTT SWITCH BAR MOUNT

Rev	AMENDMENTS	Date

PART NO. 101781

LAST ACESSED: Wednesday, 26 May 2010

ALL DIMENSIONS IN MILLIMETERS UNLESS STATED OTHERWISE

LYNX PTT SWITCH BAR MOUNT

Drawn By	Scale	Date
Mollo	1:1	01/08/07



6588
SHEET 8 of 12



① →

ITEM NO.	PART NO.	NAME
1	108681	LYNX EAR SEALS TYPE 2 GEL (PAIR)

Rev	AMENDMENTS	Date

PART NO. 108681

LAST ACESSED: Wednesday, 26 May 2010
 ALL DIMENSIONS IN MILLIMETERS UNLESS STATED OTHERWISE

LYNX EAR SEALS TYPE 2 GEL (PAIR)			
Drawn By	Scale	Date	
Mollo	1:1	01/08/07	 6588 SHEET 9 of 12



1

ITEM NO.	PART NO.	NAME
1	108709	LYNX HEADSET LEAD SPLITTER (TYPE A)



1

ITEM NO.	PART NO.	NAME
1	108710	LYNX HEADSET LEAD SPLITTER (TYPE B)

Rev	AMENDMENTS	Date

PART NO. 108709

LAST ACESSED: Wednesday, 26 May 2010
 ALL DIMENSIONS IN MILLIMETERS UNLESS STATED OTHERWISE

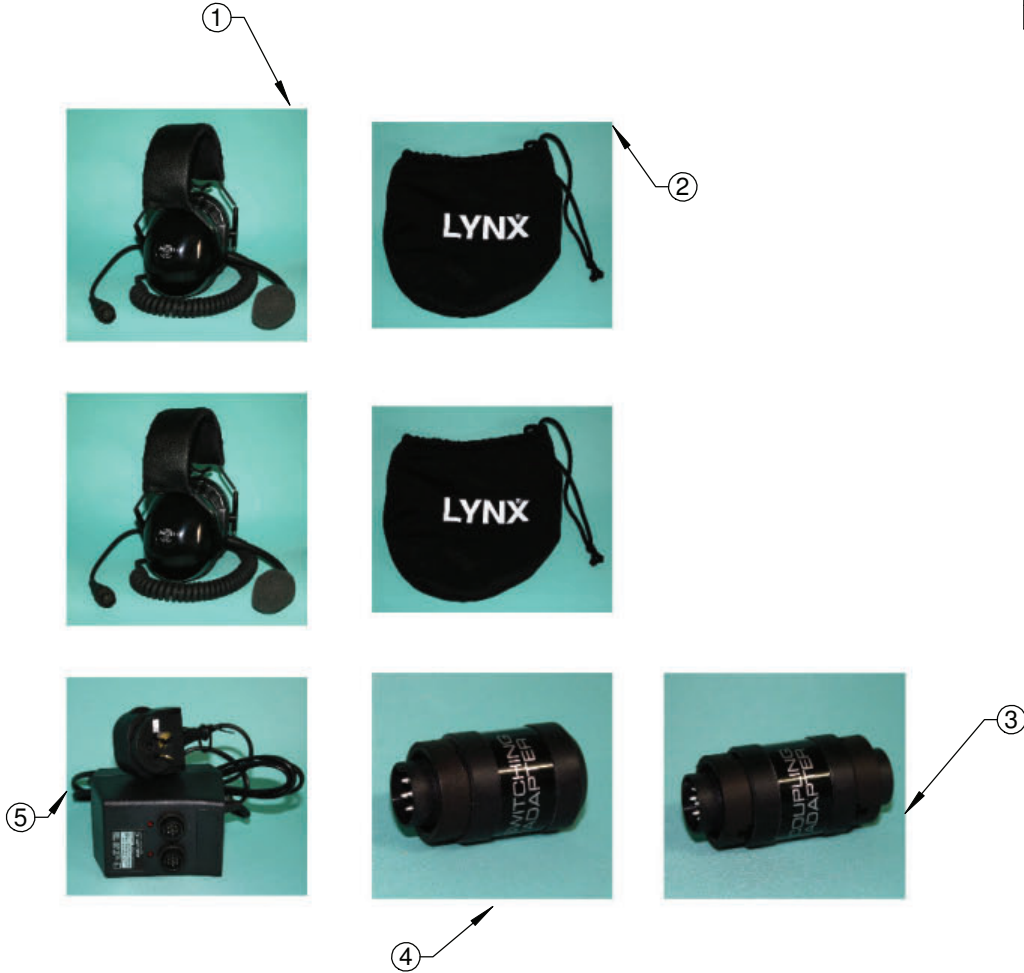
LYNX HEADSET LEAD SPLITTER (TYPE A)

Drawn By	Scale	Date
MOLLO	1:1	01/08/07



6588
SHEET 10 of 12

ITEM NO.	NAME	DWG	PART NO.	QTY.
1	LYNX MICRO SYSTEM HEADSET BLK	6588	101778	2
2	LYNX HEADSET BAG	6588	101790	2
3	LYNX HEADSET COUPLING ADAPTOR	6588	101776	1
4	LYNX SWITCHING ADAPTOR	6588	101775	1
5	LYNX DUAL CHARGER AUSTRALIAN PLUG	6588	101797	1



Rev	AMENDMENTS	Date

PART NO. 101791

LAST ACESSED: Wednesday, 26 May 2010
 ALL DIMENSIONS IN MILLIMETERS UNLESS STATED OTHERWISE

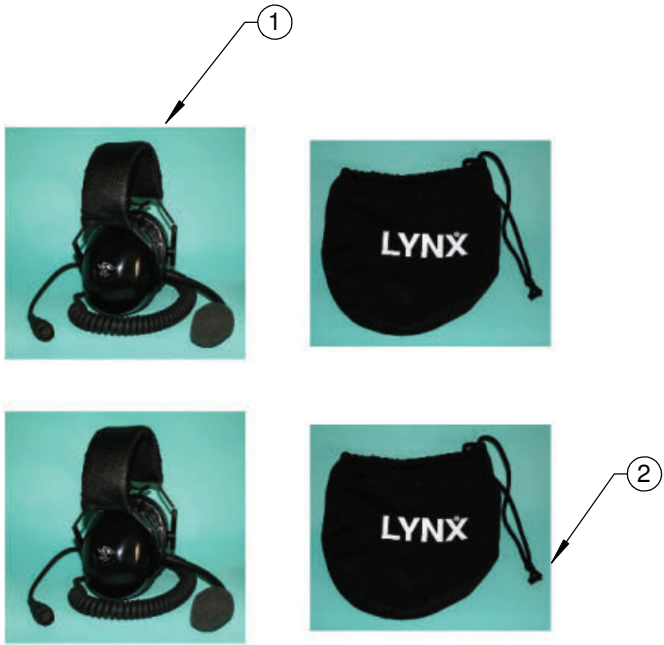
LYNX DUAL HEADSET PACKAGE AUST BLK

Drawn By	Scale	Date
MOLLO	1:1	03/08/07



6588
SHEET 11 of 12

ITEM NO.	NAME	DWG	PART NO.	QTY.
1	LYNX MICRO SYSTEM HEADSET BLK	6588	101778	2
2	LYNX HEADSET BAG	6588	101790	2



SUITABLE FOR USE WITH LYNX RADIO INTERFACE UNITS.
 FOR INDEPENDENT USE WITHOUT INTERFACE UNIT
 A COUPLING ADAPTER PART NO 101776 IS ALSO REQUIRED

Rev	AMENDMENTS	Date

PART NO. 108679

LAST ACESSED: Wednesday, 26 May 2010
 ALL DIMENSIONS IN MILLIMETERS UNLESS STATED OTHERWISE

LYNX DUAL HEADSETS INCL BAGS

Drawn By	Scale	Date
MOLLO	1:1	03/08/07



6588
 SHEET 12 of 12

25

END OF CATALOGUE